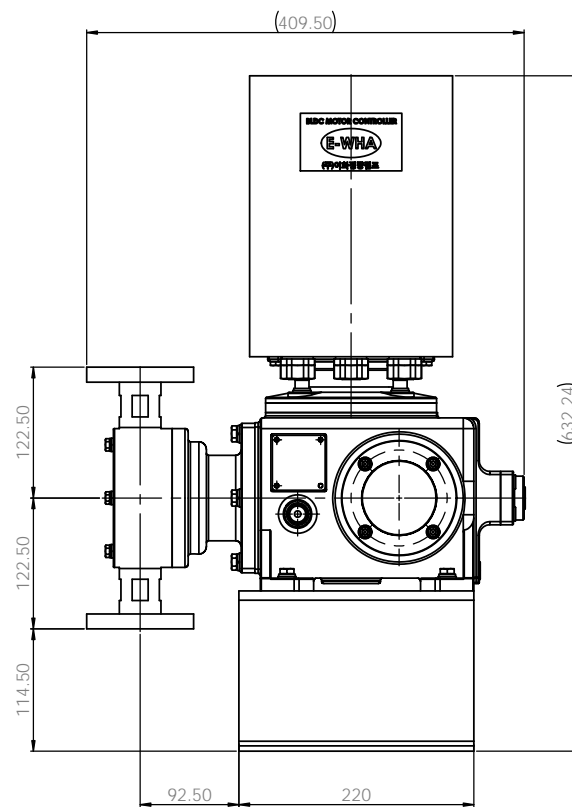
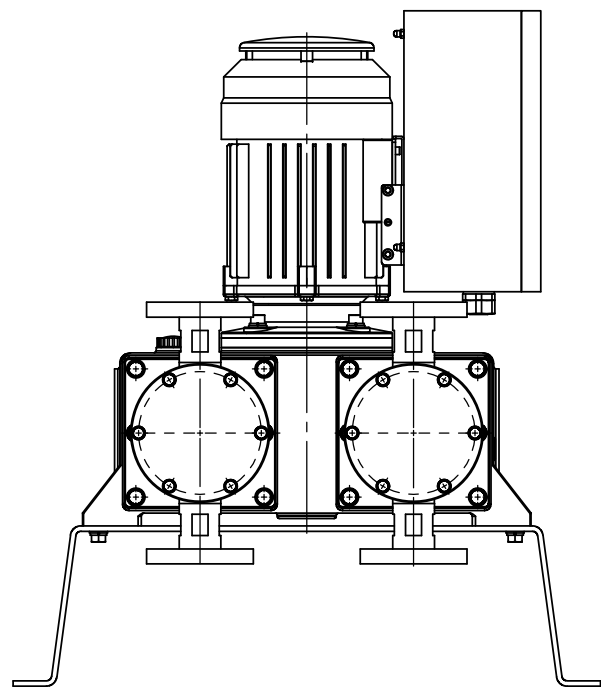
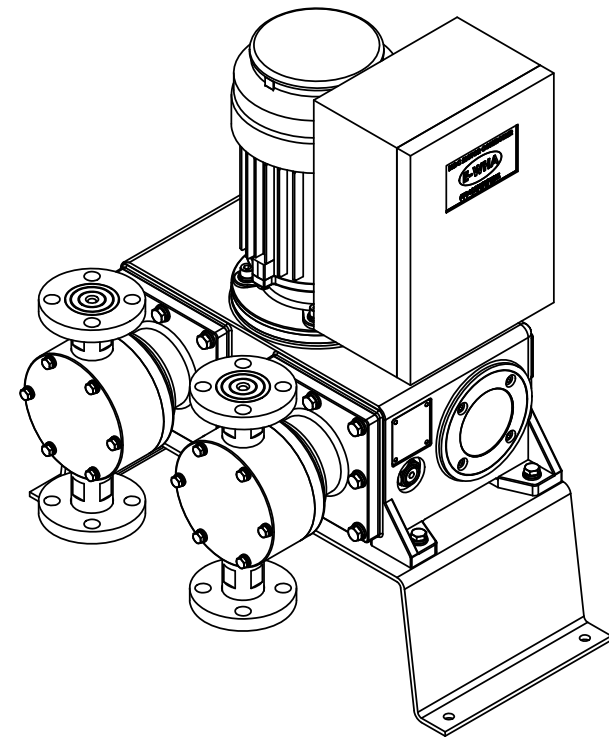
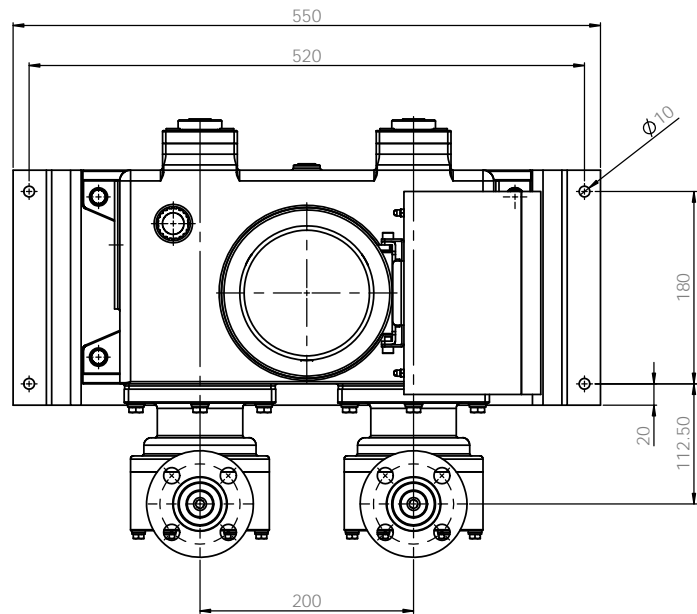


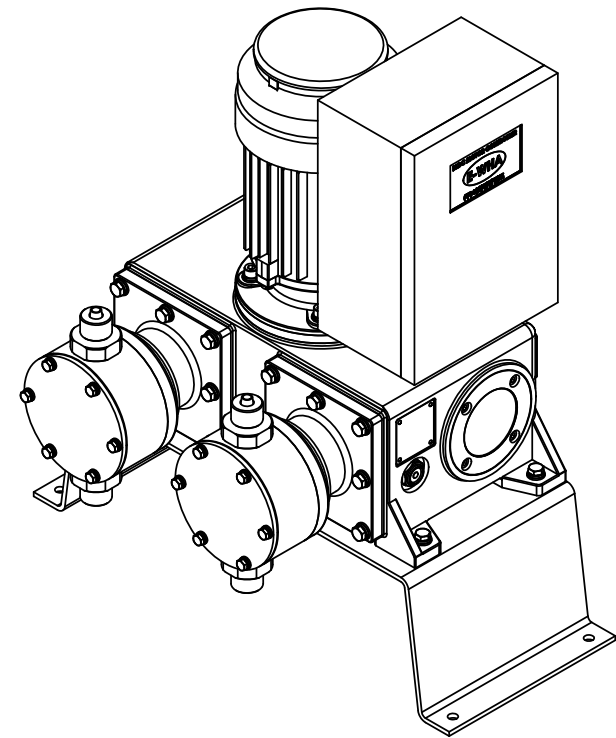
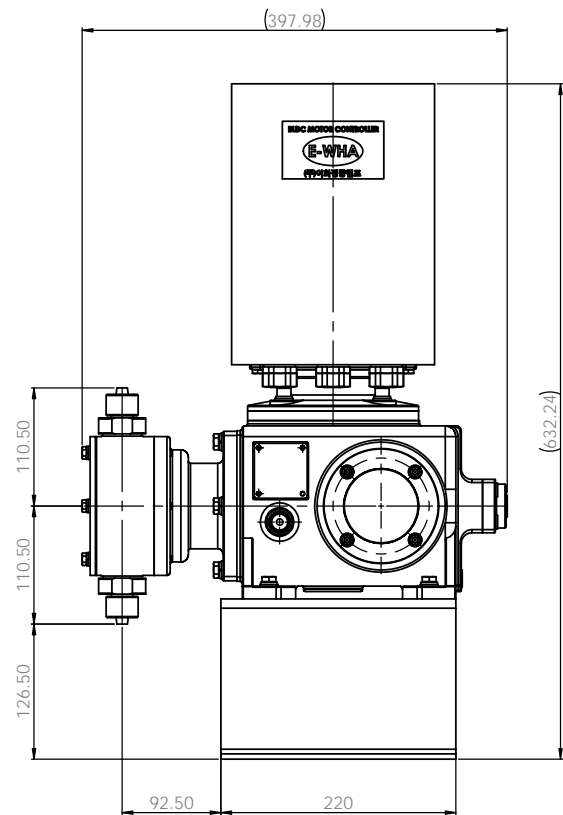
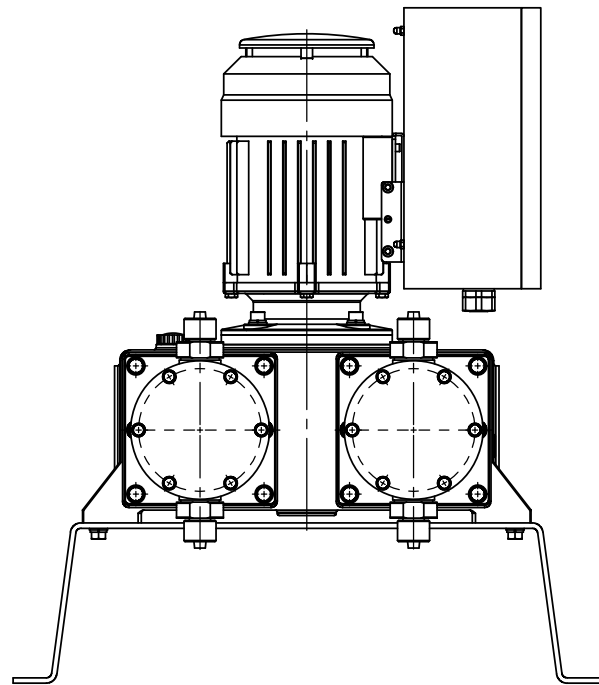
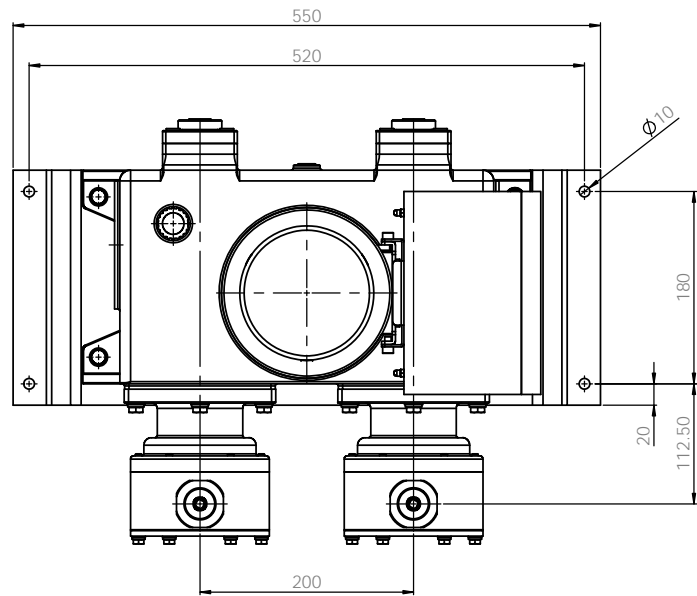
**Note**  
 1. Model : *GVMD6000*  
 2. Material : *PP / PVdF*  
 3. Connection : *Hose*

ALL DIMENSIONS SPECIFIED UNLESS OTHERWISE SPECIFIED DIMENSIONS ARE IN MILLIMETERS UNLESS INDICATED OTHERWISE				SCALE AND BREAK SHARP EDGES		DO NOT SCALE DRAWING		REVISION
DRAWN: W. PARK				DATE: 2020.02.21			E-WHA CHEMICAL FEEDER CO., LTD.	
CHECKED: W. PARK				DATE: 2020.02.21			TITLE: PUMP ASSEMBLY-DIM	
APPROVED: S.C. KIM				DATE: 2020.02.21			GVMD6000PCH-H10	
MATERIAL: PVC				DRAWING NO: AC1000B1015A		SHEET 1 OF 1		A1



**Note**  
 1. Model : *GVMD6000*  
 2. Material : *PP / PVdF*  
 3. Connection : *Flange*

ALL DIMENSIONS SPECIFIED UNLESS OTHERWISE SPECIFIED DIMENSIONS ARE IN MILLIMETERS TOLERANCES: FINISH: ANGULAR		FINISH: BRASS AND BRASS SHARP ENDS	DO NOT SCALE DRAWING REVISION
DRAWN: W. PARK CHECK: W. PARK APPROV: S.C. KAP DATE: 2020.02.21 DATE: 2020.02.21 DATE: 2020.02.21	DESIGNED: W. PARK DATE: 2020.02.21	TITLE: PUMP ASSEMBLY-DIM GVMD6000PCF-KS 10K 20A FF	E-WHA CHEMICAL FEEDER CO., LTD. PART NO: AC1000B1016B SCALE: 1:1 SHEET 1 OF 1



**Note**  
 1. Model : GVMD6000  
 2. Material : PTFE  
 3. Connection : Hose

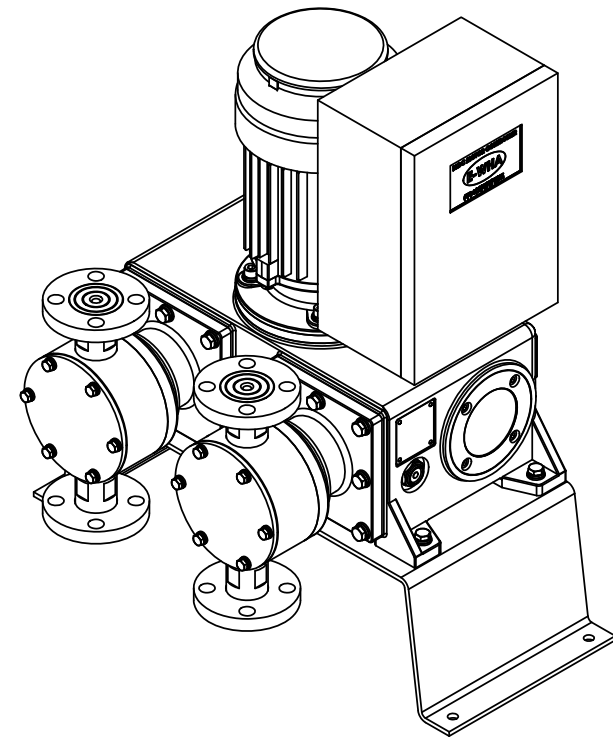
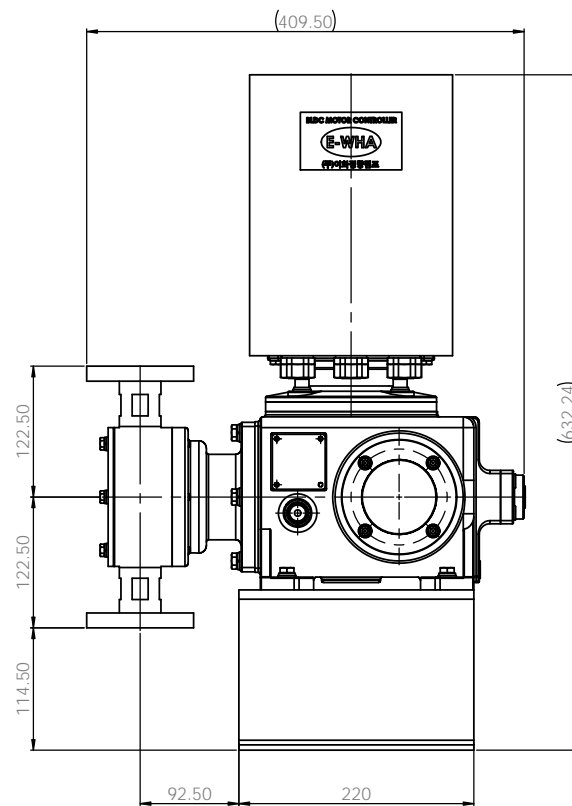
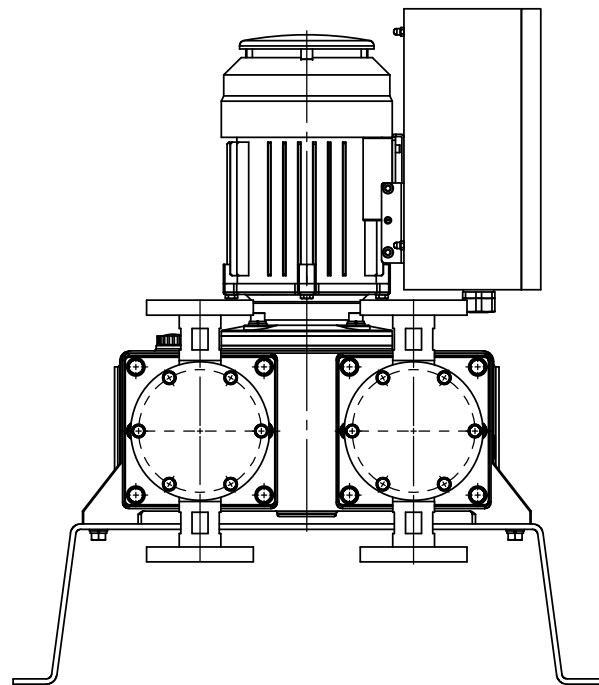
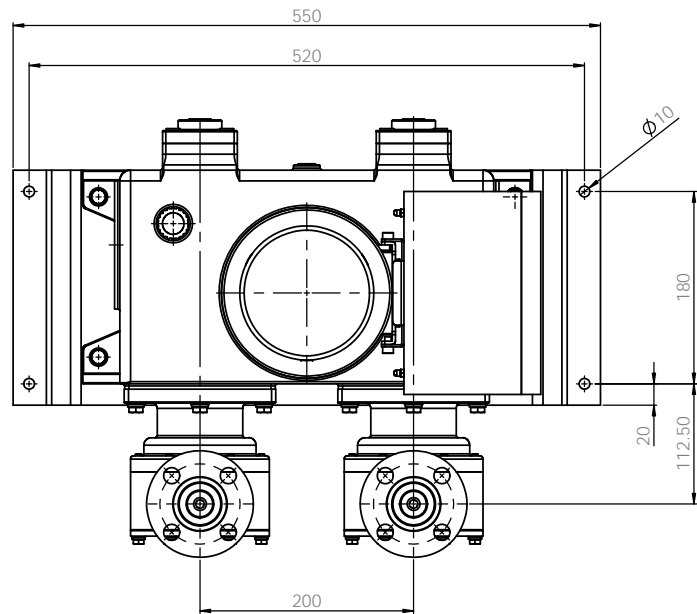
ALL DIMENSIONS SPECIFIED UNLESS OTHERWISE SPECIFIED DIMENSIONS ARE IN MILLIMETERS UNLESS INDICATED OTHERWISE				SCALE AND BREAK SHARP EDGES		DO NOT SCALE DRAWING		REVISION
DATE	BY	CHKD	APP'D	SCALE	BREAK	SCALE	REVISION	
2024.02.21	W. PARK	W. PARK	S.C. KIM	1:1				
DRAWN: W. PARK				DATE: 2024.02.21		SCALE: 1:1		
CHKD: W. PARK				DATE: 2024.02.21		SCALE: 1:1		
APP'D: S.C. KIM				DATE: 2024.02.21		SCALE: 1:1		
MFG:				DATE:		SCALE:		
D/A:				DATE:		SCALE:		
MATERIAL: PTFE				DATE:		SCALE:		
EQUIV. NO. AC1004B1015A				DATE:		SCALE:		
SCALE: 1:1				DATE:		SCALE:		

E-WHA CHEMICAL FEEDER CO., LTD.

PUMP ASSEMBLY-DIM  
 GVMD6000TCH-H10

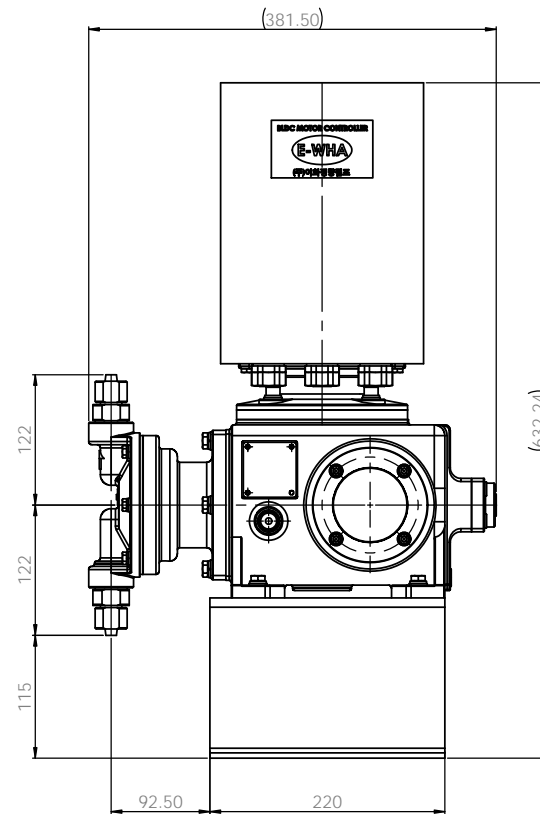
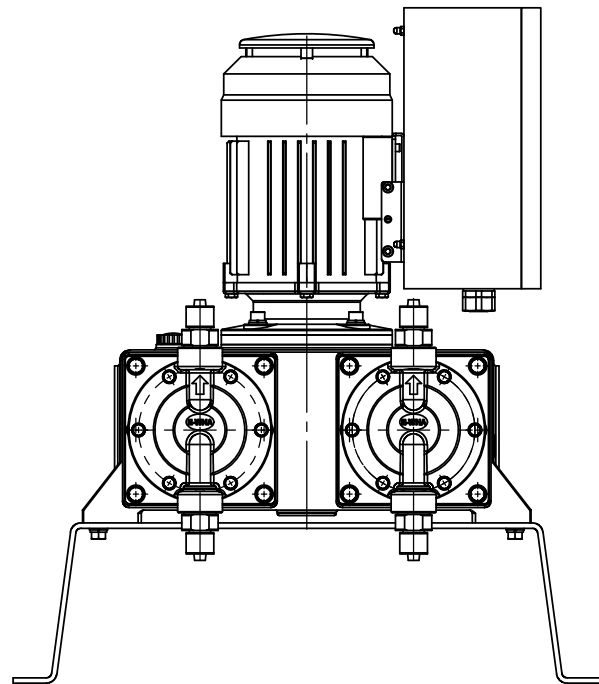
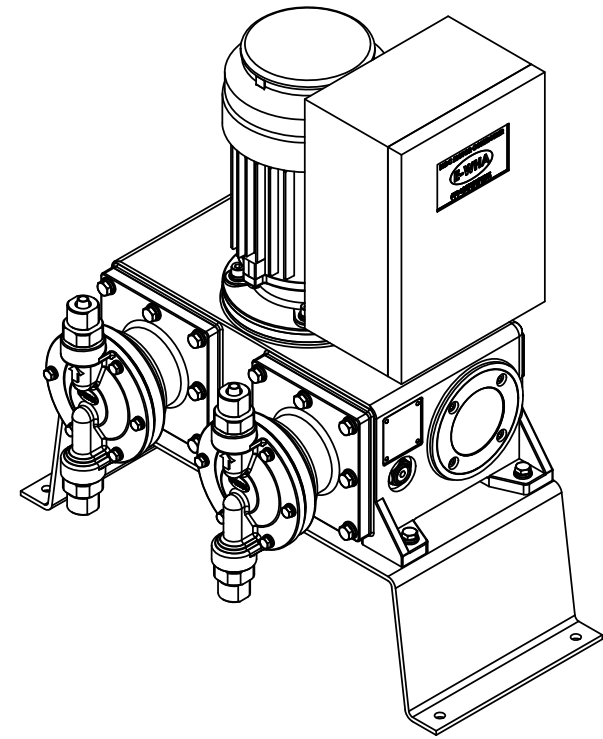
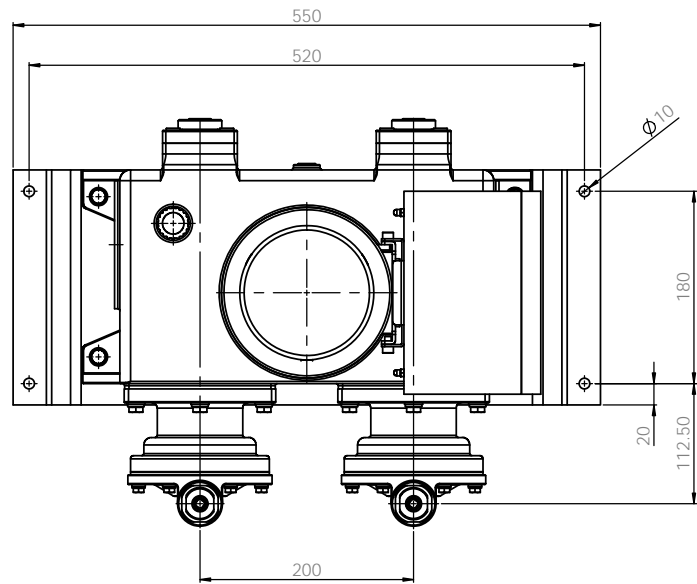
A1

SHEET 1 OF 1



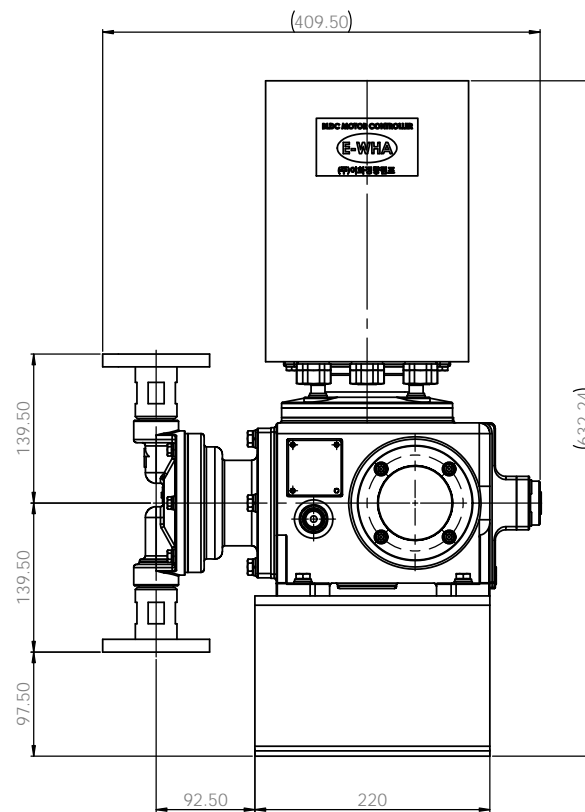
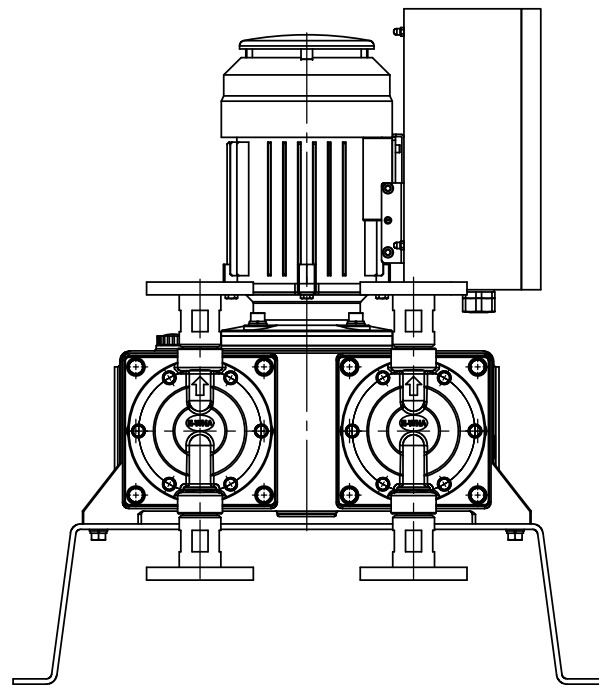
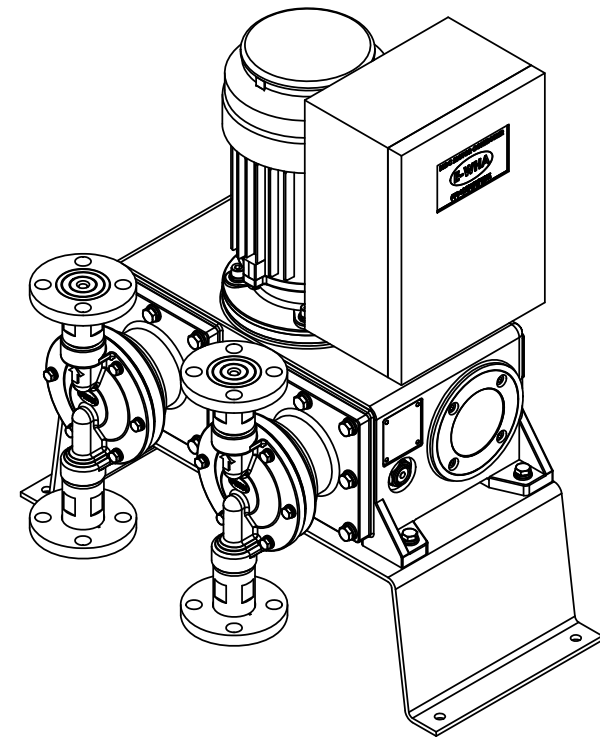
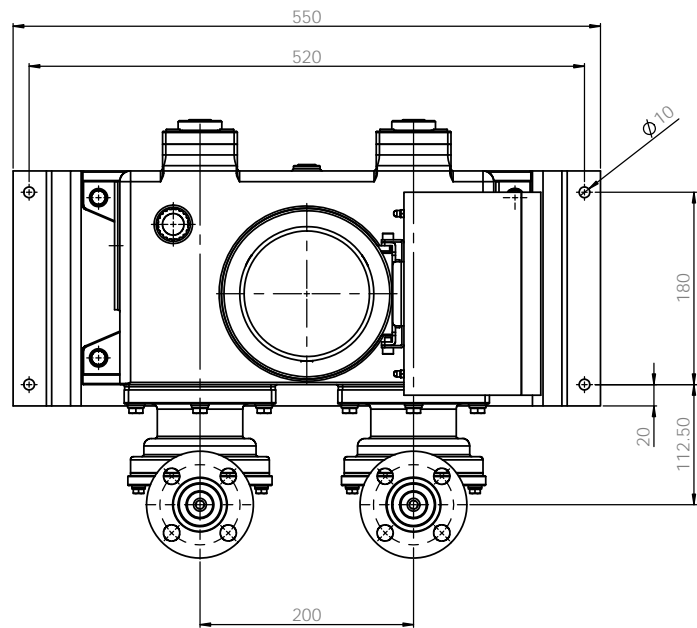
**Note**  
 1. Model : *GVMD6000*  
 2. Material : *PTFE*  
 3. Connection : *Flange*

ALL DIMENSIONS SPECIFIED UNLESS OTHERWISE SPECIFIED DIMENSIONS ARE IN MILLIMETERS				TOLERANCES UNLESS OTHERWISE SPECIFIED		DO NOT SCALE DRAWING		REVISION
DRAWN: W. PARK				DATE: 2020.02.21		E-WHA CHEMICAL FEEDER CO., LTD.		REV:
CHECKED: W. PARK				DATE: 2020.02.21		PUMP ASSEMBLY-DIM		
APPROVED: S.C. KIM				DATE: 2020.02.22		GVMD6000TCF-KS 10K 20A FF		
MATERIAL: PTFE				DIM. NO: AC1004B1016B		SCALE: 1:1		A1
SHEET: 1 OF 1								



**Note**  
 1. Model : GVMD6000  
 2. Material : Stainless steel  
 3. Connection : Hose

ALL DIMENSIONS SPECIFIED UNLESS OTHERWISE SPECIFIED DIMENSIONS ARE IN MILLIMETERS UNLESS INDICATED OTHERWISE		FINISH BRASS BRASS AND BRASS SHARP EDGES	DO NOT SCALE DRAWING REVISION
DRAWN: W. PAK CHECK: W. PAK APPROV: S.C. KHA DATE: 2020.02.21 2020.02.21 2020.02.21	TITLE <b>PUMP ASSEMBLY-DIM</b> GVMD6000S4S4H-H10	MATERIAL <b>SUS304</b>	SHEET NO. <b>AC1201B1015A</b>
SCALE: 1:1		SHEET 1 OF 1	E-WHA CHEMICAL FEEDER CO., LTD.



**Note**  
 1. Model : *GVMD6000*  
 2. Material : *Stainless steel*  
 3. Connection : *Flange*

REVISIONS				SCALE AND BREAK SHARP EDGES		DO NOT SCALE DRAWING		REVISION	
NO.	DATE	BY	CHKD.	SCALE	BREAK	SCALE	NO.	DESCRIPTION	DATE
01	2020.02.21						1		
02	2020.02.21						2		
03	2020.02.21						3		
04							4		
05							5		
06							6		
07							7		
08							8		
09							9		
10							10		
11							11		
12							12		
13							13		
14							14		
15							15		
16							16		

ALL DIMENSIONS SPECIFIED UNLESS OTHERWISE SPECIFIED DIMENSIONS ARE IN MILLIMETERS UNLESS OTHERWISE SPECIFIED				SCALE AND BREAK SHARP EDGES		DO NOT SCALE DRAWING		REVISION	
DRAWN: W. PARK CHECKED: W. PARK APPROVED: S.C. KIM DATE: 2020.02.21				MATERIAL: SUS304		PART NO.: AC1201B1016B		SHEET NO.: A1	
E-WHA CHEMICAL FEEDER CO., LTD.				PUMP ASSEMBLY-DIM		GVMD6000S4S4F-KS 10K 20A FF		SCALE: 1:1	