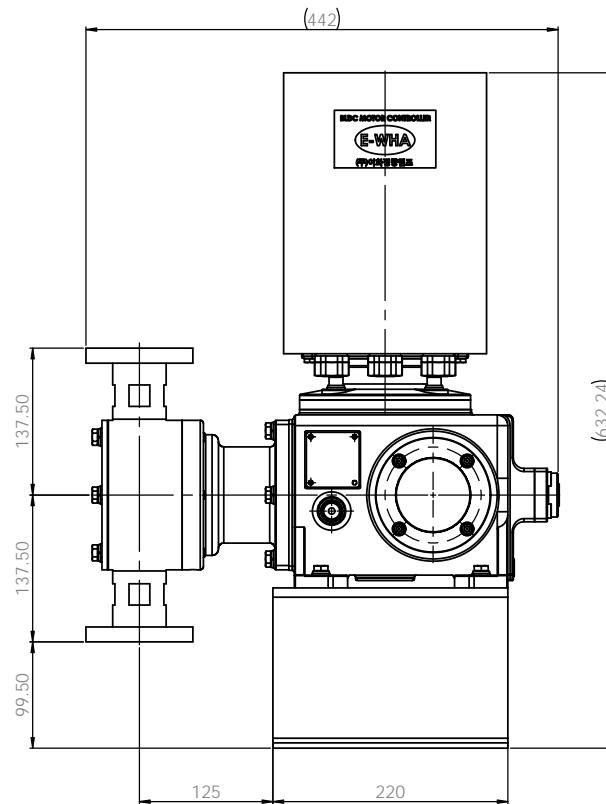
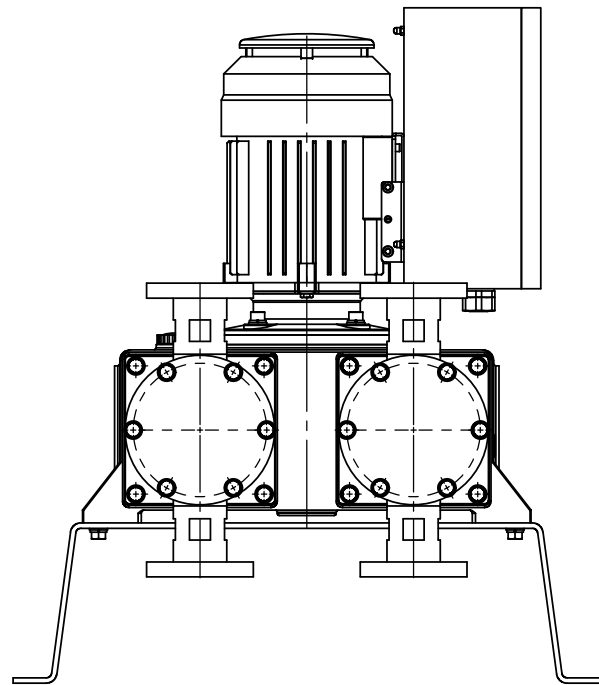
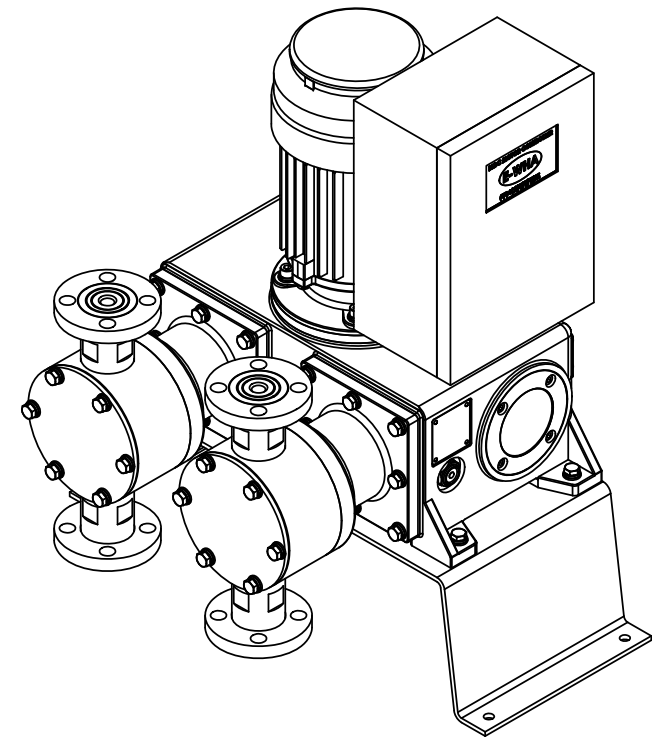
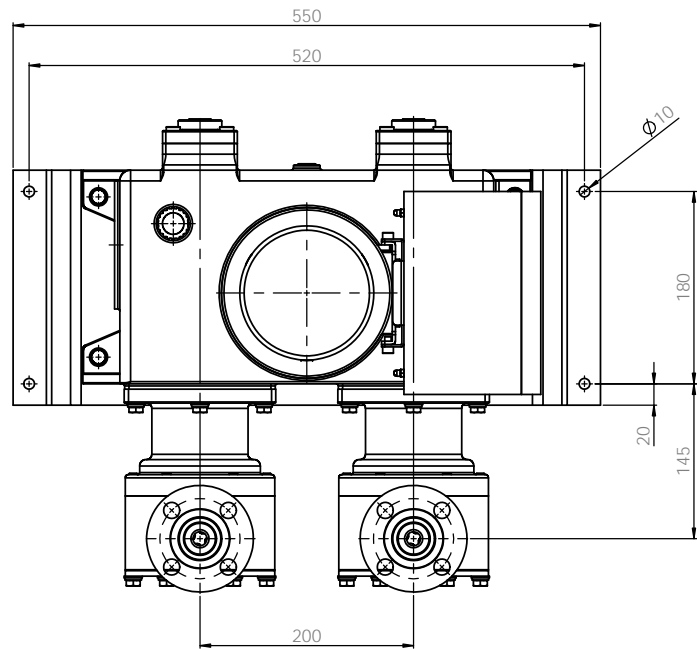


Note
 1. Model : *GVMD8000*
 2. Material : *PP / PVdF*
 3. Connection : *Flange*

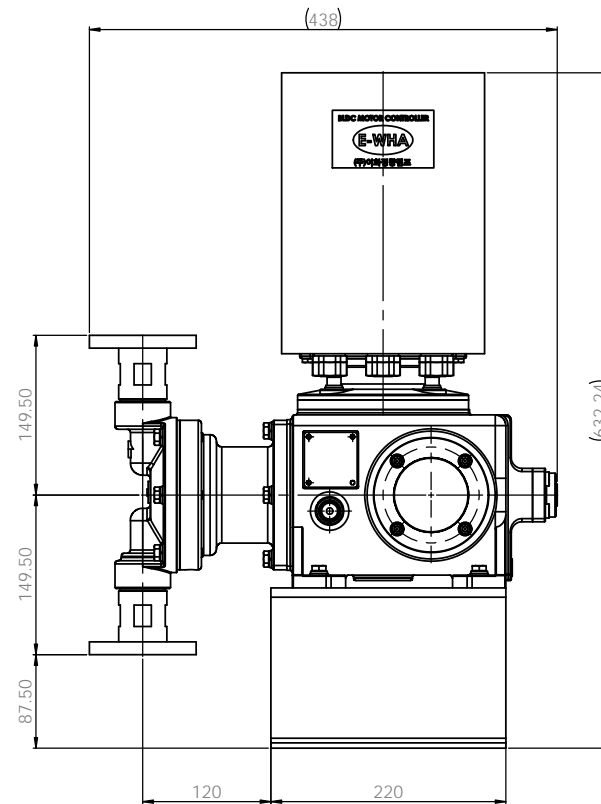
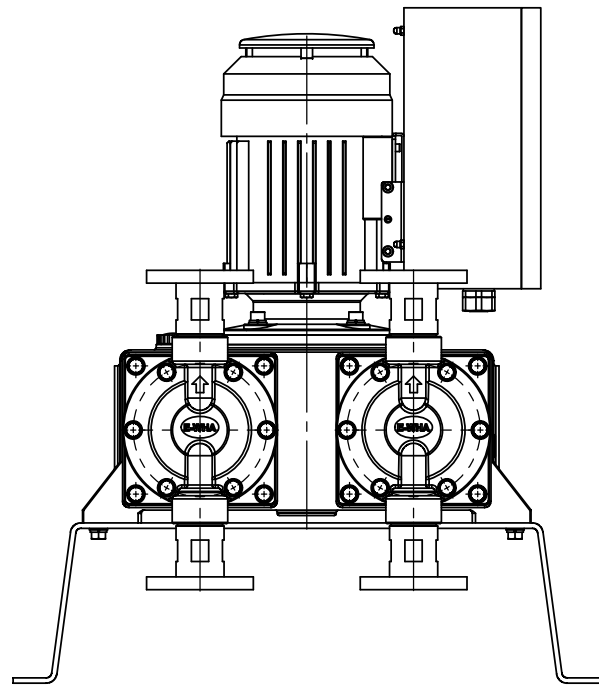
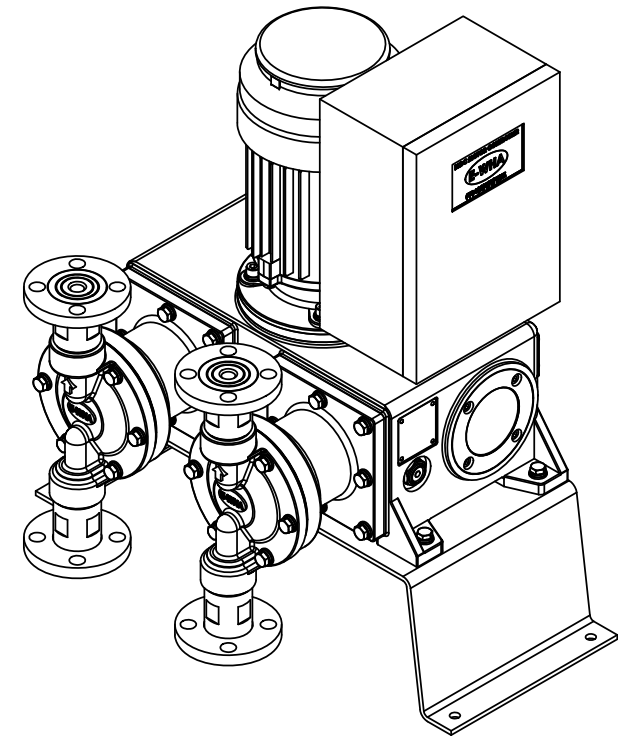
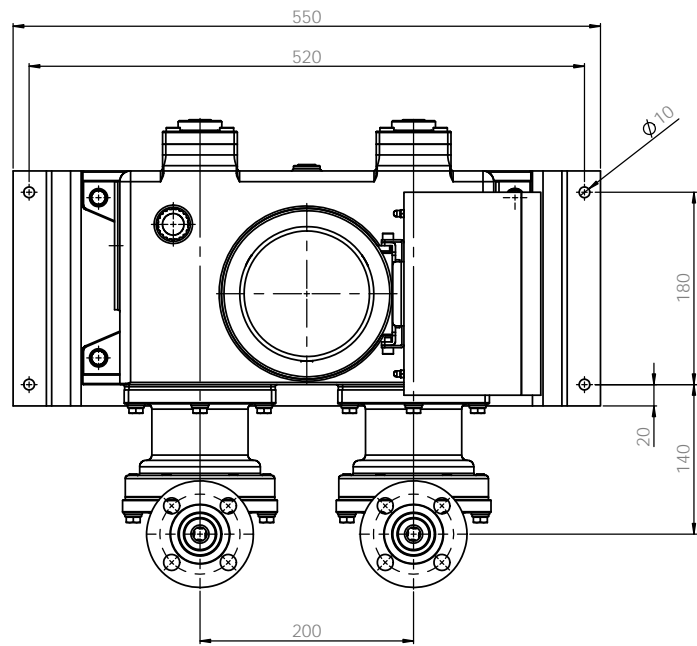
REVISIONS				SCALE AND BREAK SHARP EDGES		DO NOT SCALE DRAWING		REVISION	
NO.	DATE	BY	CHKD	SCALE	BREAK	SCALE	NO.	DESCRIPTION	DATE
01	2020.02.21	W. PARK					1	INITIAL	
02	2020.02.21	W. PARK					2	REVISED	
03	2020.02.21	S.C. KIM					3	REVISED	
04							4		
05							5		
06							6		
07							7		
08							8		
09							9		
10							10		
11							11		
12							12		
13							13		
14							14		
15							15		
16							16		

MATERIAL		E-WHA CHEMICAL FEEDER CO., LTD.	
PVC		PUMP ASSEMBLY-DIM	
AC1000B1018B		GVMD8000PCF-KS 10K 20A FF	
SCALE 1:1		SHEET 1 OF 1	



Note
 1. Model : *GVMD8000*
 2. Material : *PTFE*
 3. Connection : *Flange*

ALL DIMENSIONS SPECIFIED UNLESS OTHERWISE SPECIFIED DIMENSIONS ARE IN MILLIMETERS UNLESS INDICATED OTHERWISE				SCALE AND BREAK SHARP EDGES		DO NOT SCALE DRAWING		REVISION
E-WHA CHEMICAL FEEDER CO., LTD.				DATE		REV		DATE
DRWING	W. PARK	2020.02.21						
CHCKD	W. PARK	2020.02.21						
APPROV	S.C. KIM	2020.02.22						
DATE								
MATERIAL				PTFE		E-WHA NO.		AC1004B1018B
SCALE 1:1				SHEET 1 OF 1				A1



Note
 1. Model : *GVMD8000*
 2. Material : *Stainless steel*
 3. Connection : *Flange*

PUMP ASSEMBLY SPECIFIED				E-WHA		E-WHA		E-WHA	
CONDIZIONE ARI 84 (SALVATESS)				E-WHA		E-WHA		E-WHA	
MATERIALE				E-WHA		E-WHA		E-WHA	
ANGOLI				E-WHA		E-WHA		E-WHA	
DATE:	DATE:	DATE:	DATE:	DATE:	DATE:	DATE:	DATE:	DATE:	DATE:
W. PUMP:	W. PUMP:	W. PUMP:	W. PUMP:	W. PUMP:	W. PUMP:	W. PUMP:	W. PUMP:	W. PUMP:	W. PUMP:
S.C. W.P.	S.C. W.P.	S.C. W.P.	S.C. W.P.	S.C. W.P.	S.C. W.P.	S.C. W.P.	S.C. W.P.	S.C. W.P.	S.C. W.P.
MATERIALE:	MATERIALE:	MATERIALE:	MATERIALE:	MATERIALE:	MATERIALE:	MATERIALE:	MATERIALE:	MATERIALE:	MATERIALE:
SUS304				SUS304		SUS304		SUS304	
AC1201B1018B				AC1201B1018B		AC1201B1018B		AC1201B1018B	
SCALE 1:1				SCALE 1:1		SCALE 1:1		SCALE 1:1	

E-WHA CHEMICAL FEEDER CO., LTD.

PUMP ASSEMBLY-DIM
 GVMD8000S4S4F-KS 10K 20A FF

SUS304 AC1201B1018B A1