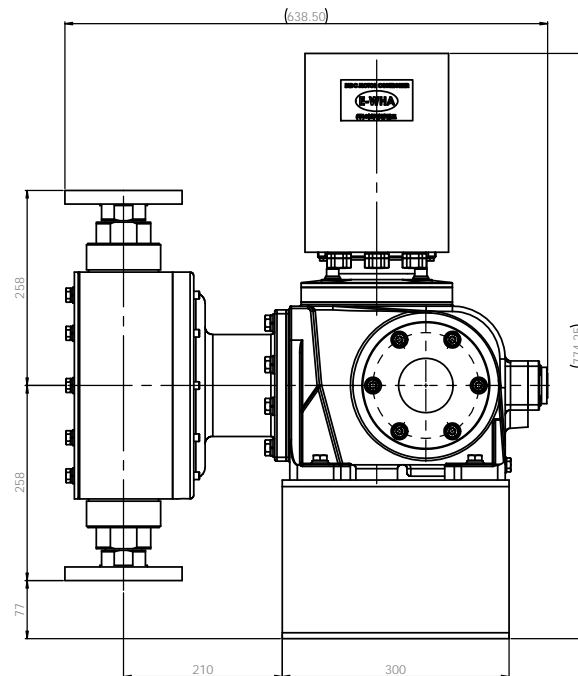
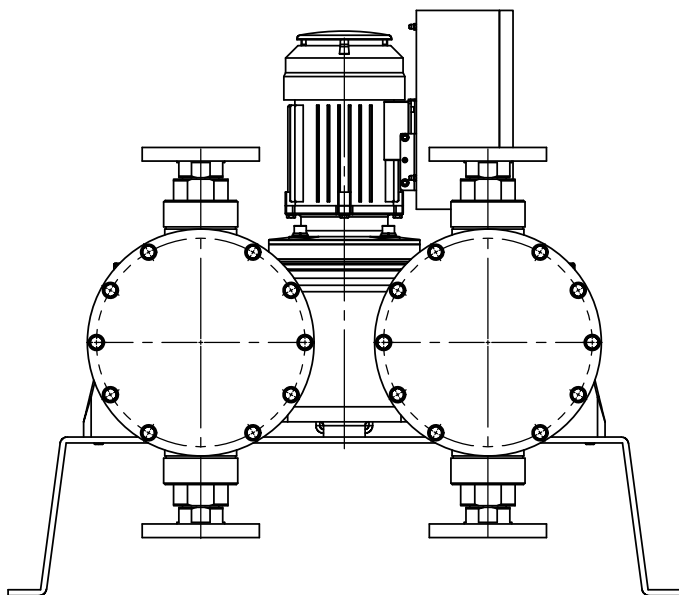
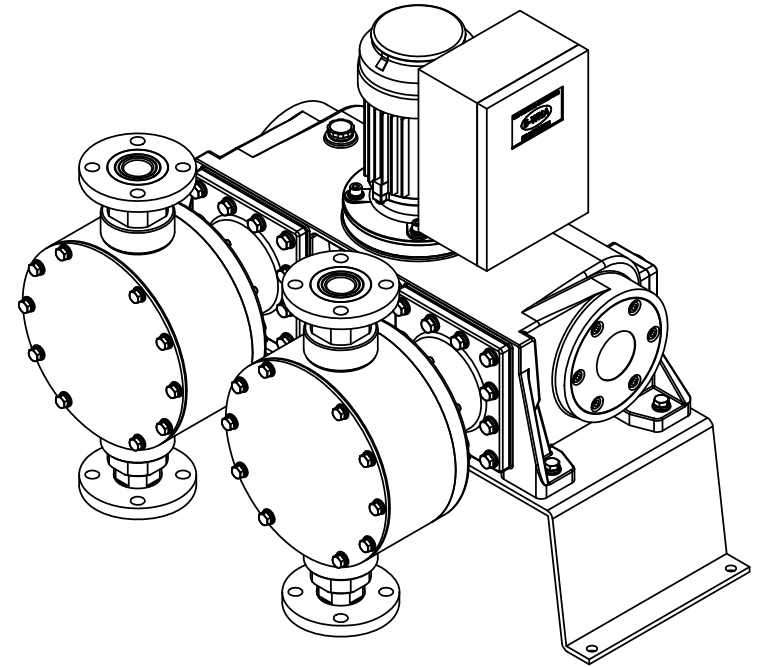
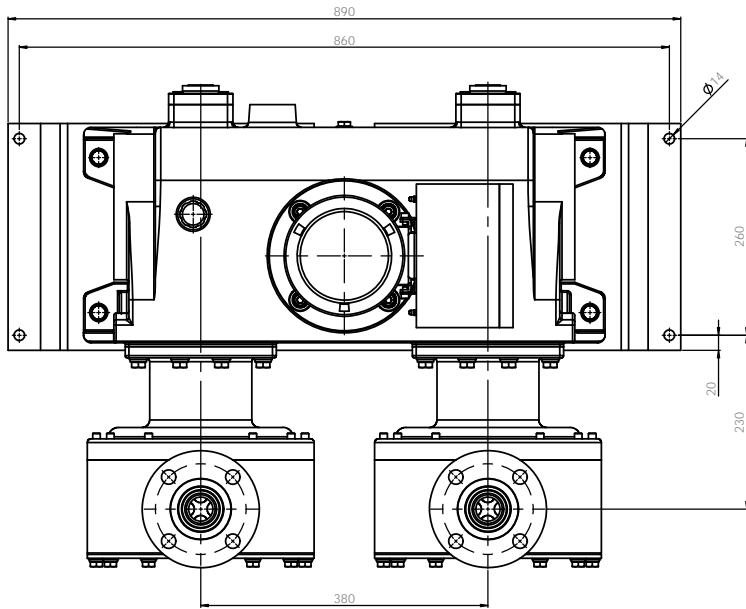


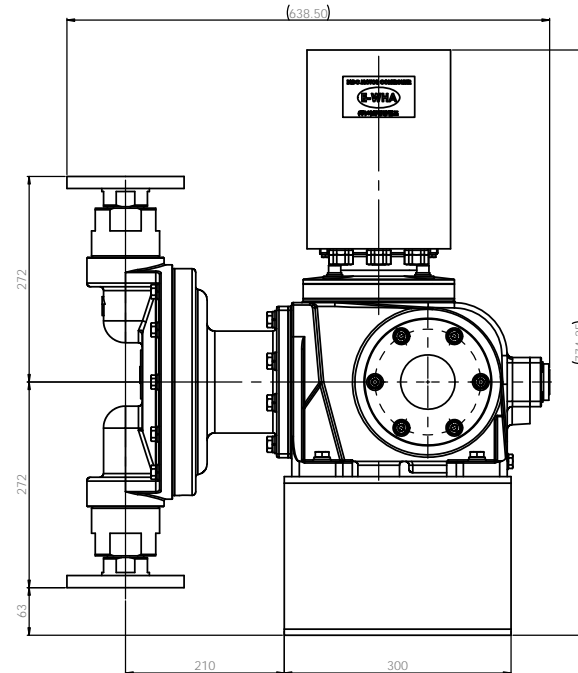
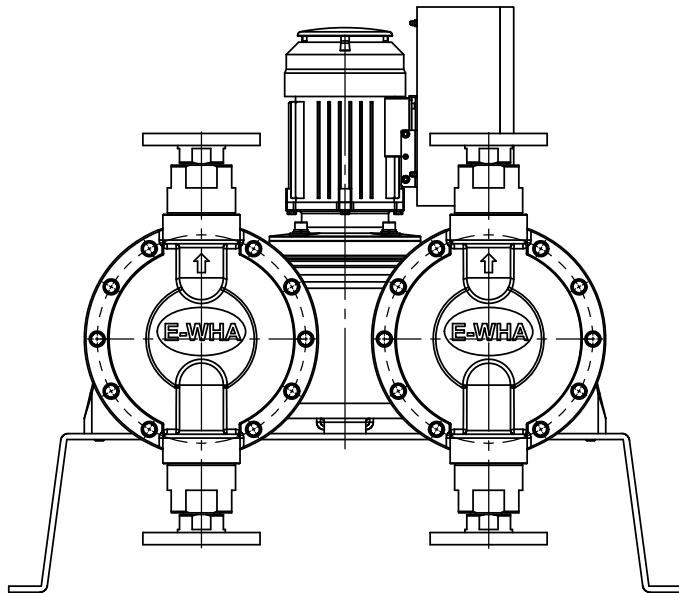
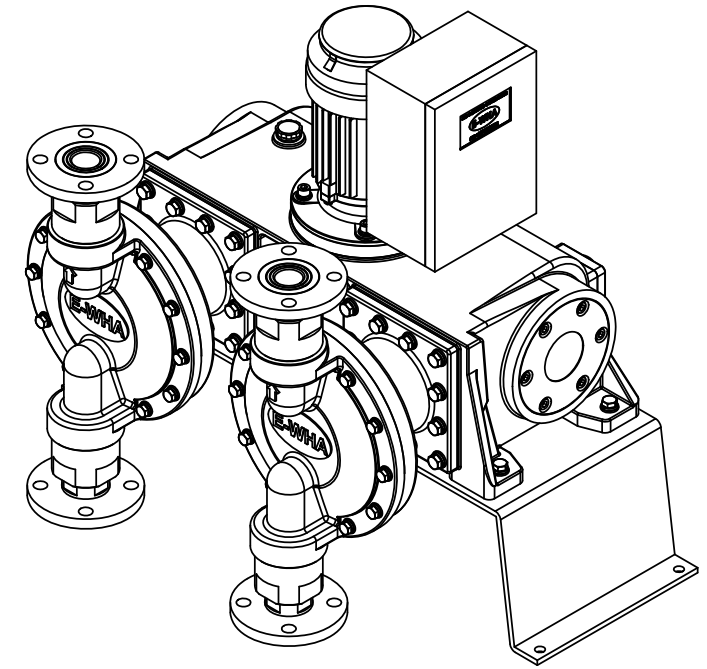
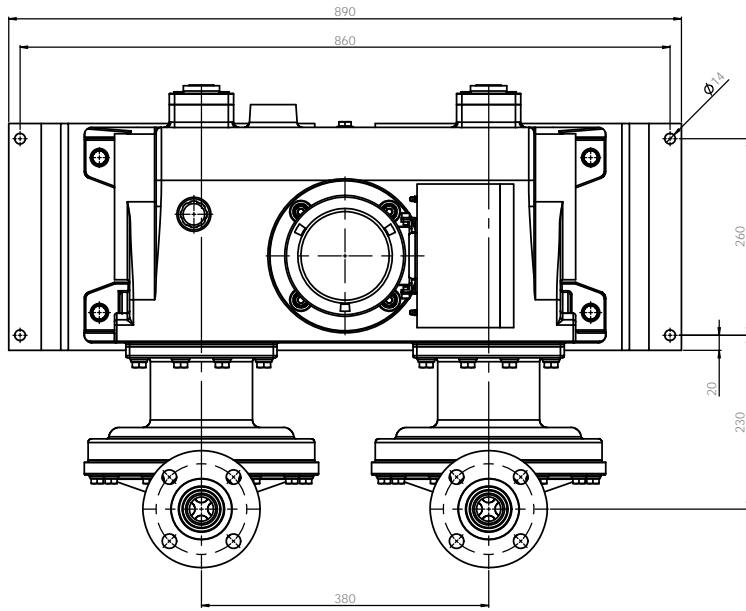
Note
 1. Model : GVLD100L
 2. Material : PP / PVdF
 3. Connection : Flange

E-WHA CHEMICAL FEEDER CO., LTD.	
PUMP ASSEMBLY-DIM	
GVLD100LPCF-KS 10K 50A FF	
PVC	AG1000B1010B



Note
 1. Model : GVLD100L
 2. Material : PTFE
 3. Connection : Flange

E-WHA CHEMICAL FEEDER CO., LTD.		AG	
PUMP ASSEMBLY-DIM		AG	
GVLD100LTCF-KS 10K 50A FF		AG	
PTFE		AG	
AG1004B1010B		AG	



Note
 1. Model : GVLD100L
 2. Material : Stainless steel
 3. Connection : Flange

E-WHA CHEMICAL FEEDER CO., LTD.	
PUMP ASSEMBLY-DIM	
GVLD100LS4S4F-KS 10K 50A FF	
SUS304	AG1201B1010B