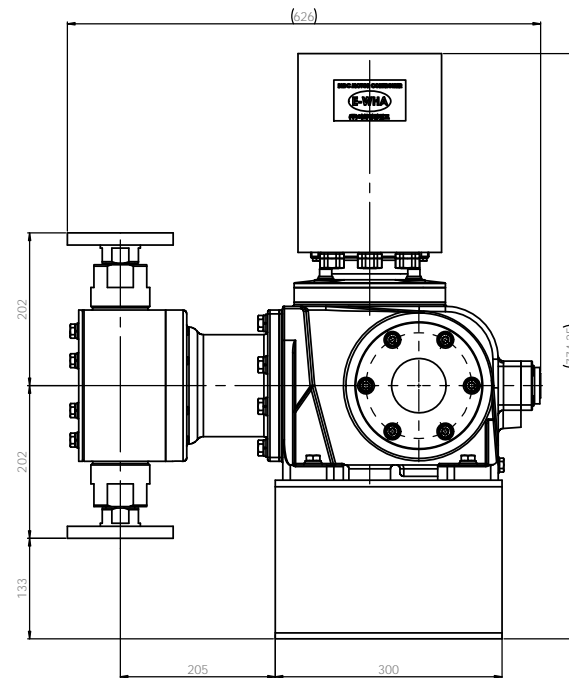
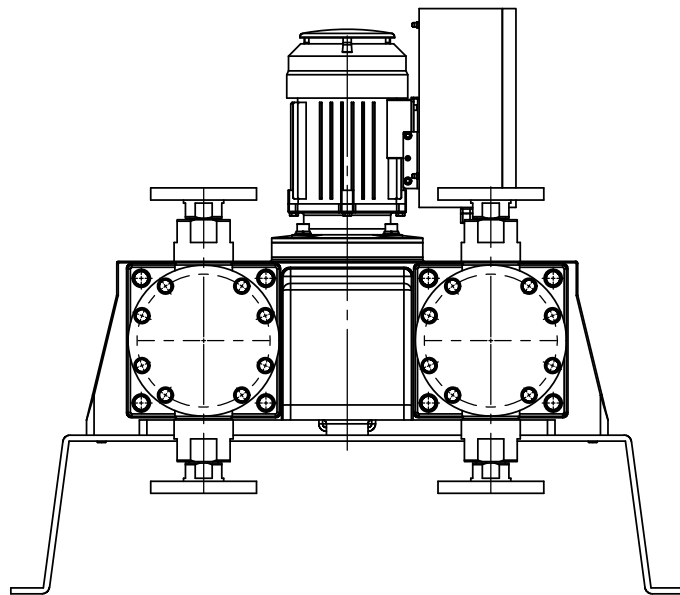
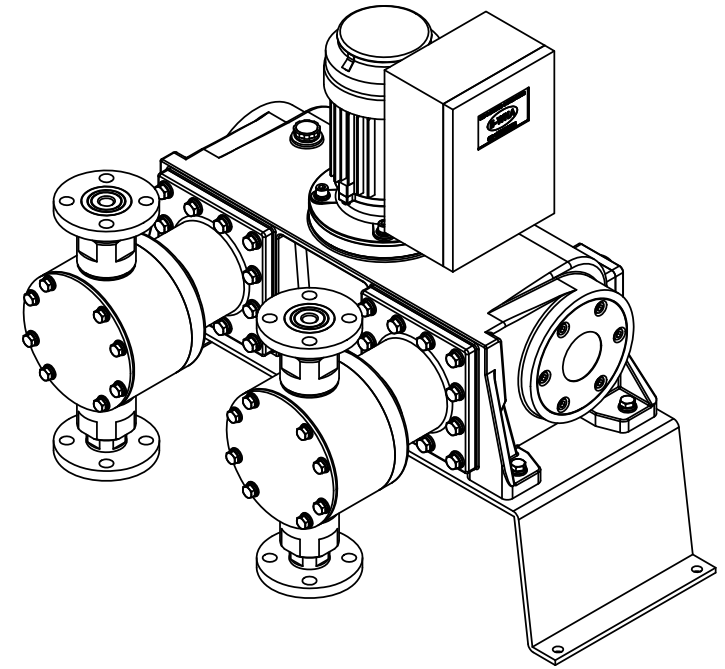
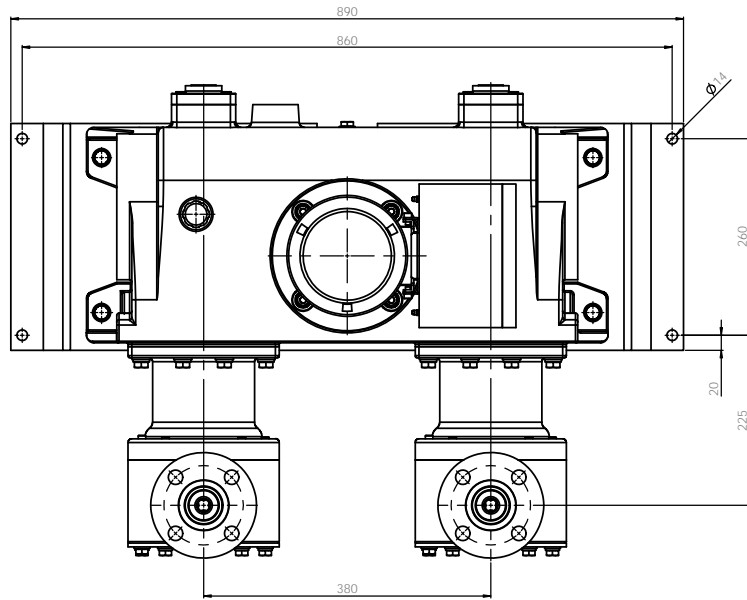


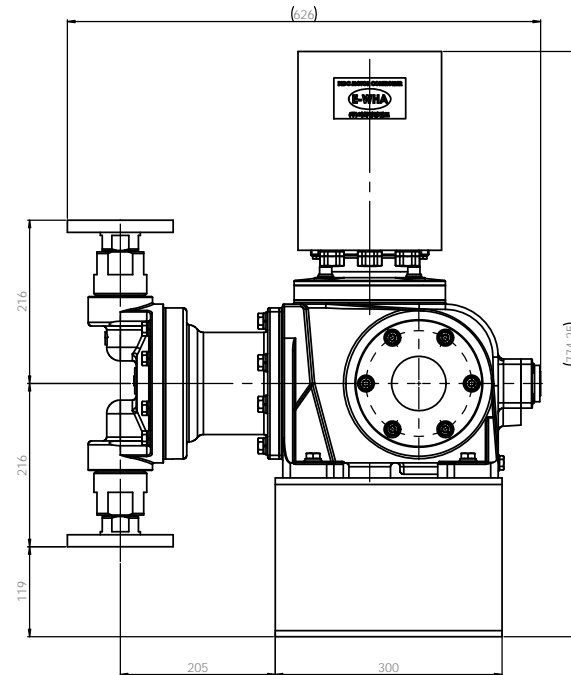
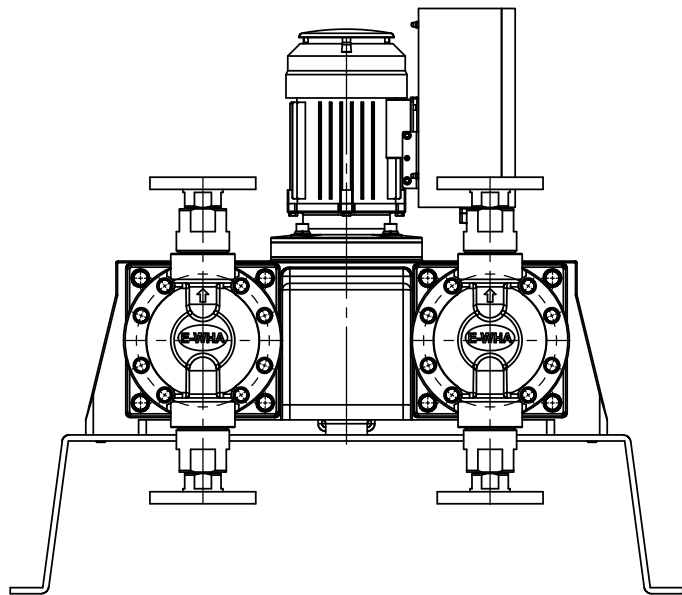
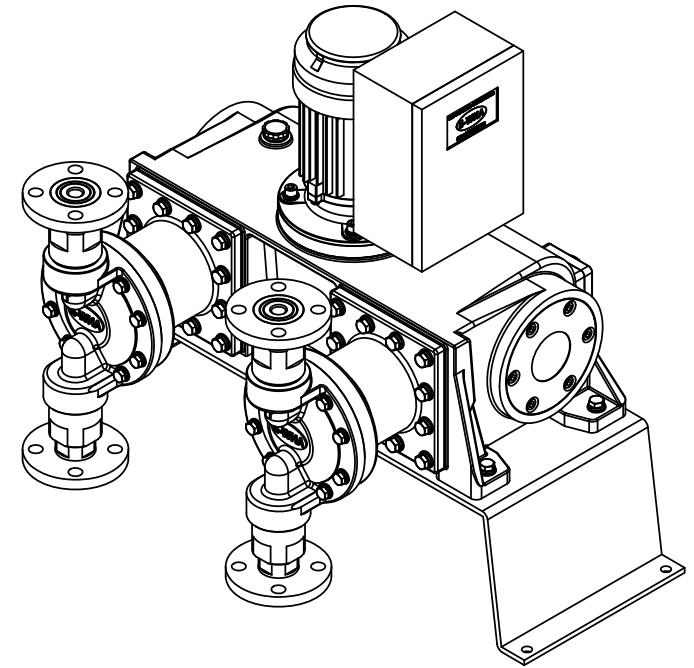
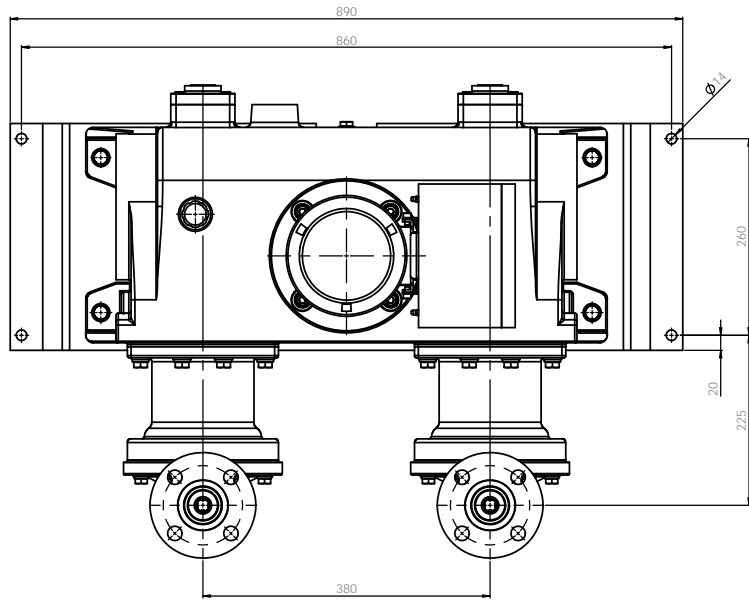
Note
 1. Model : GVLD20L
 2. Material : PP / PVdF
 3. Connection : Flange

E-WHA CHEMICAL FEEDER CO., LTD.	
PUMP ASSEMBLY-DIM	
GVLD20LPCF-KS 10K-40A FF	
PVC	AG1000B1002C



Note
 1. Model : GVLD20L
 2. Material : PTFE
 3. Connection : Flange

REVISIONS		DATE		BY		CHECKED		APPROVED	
1	INITIAL								
E-WHA CHEMICAL FEEDER CO., LTD.									
PUMP ASSEMBLY-DIM									
GVLD20LTCF-KS 10K 40A FF									
PTFE AG1004B1002C AD									



Note
 1. Model : *GVLD20L*
 2. Material : *Stainless steel*
 3. Connection : *Flange*

E-WHA CHEMICAL FEEDER CO., LTD.		AG	
PUMP ASSEMBLY-DIM		AG	
GVLD20LS454F-KS 10K 40A FF		AG	
SUS304		AG1201B1002C	