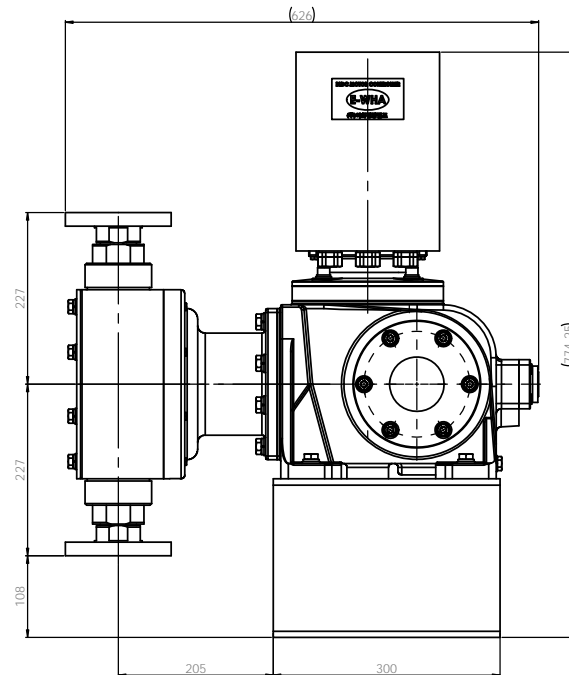
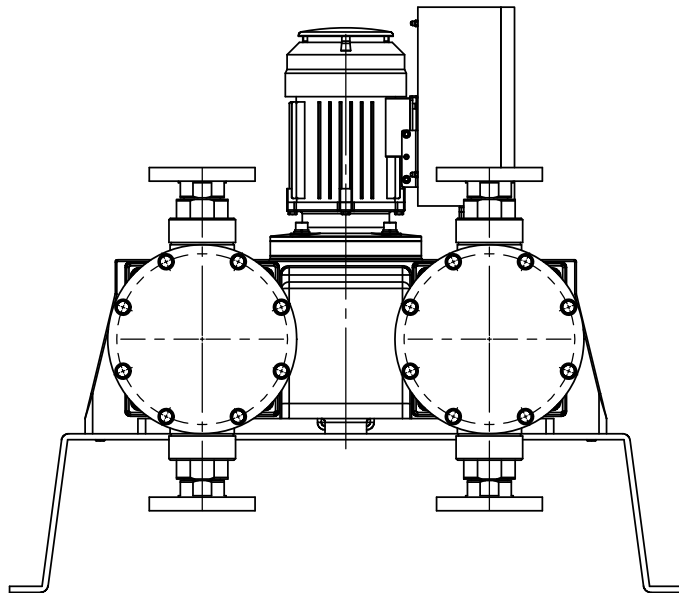
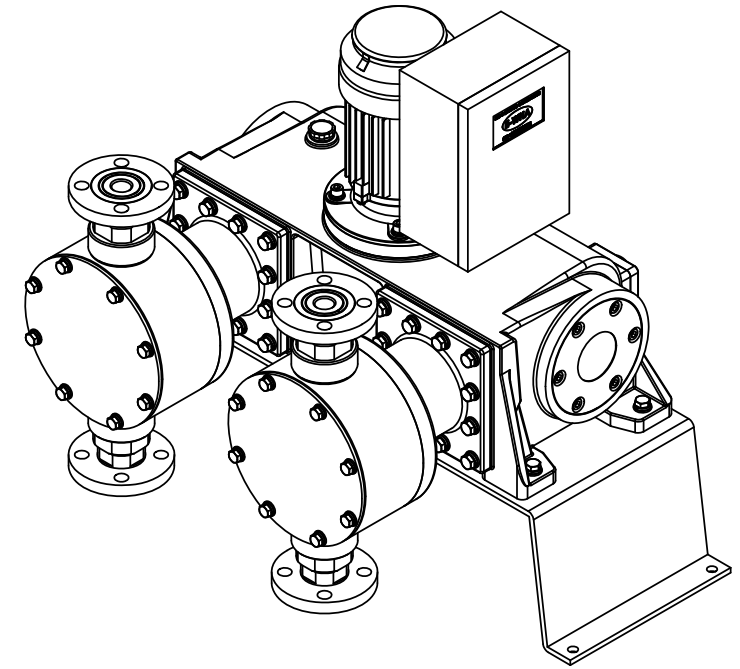
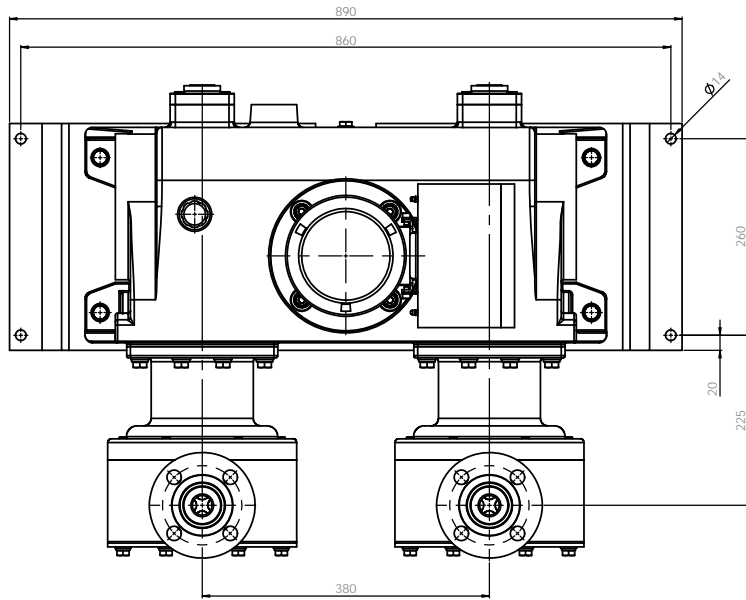


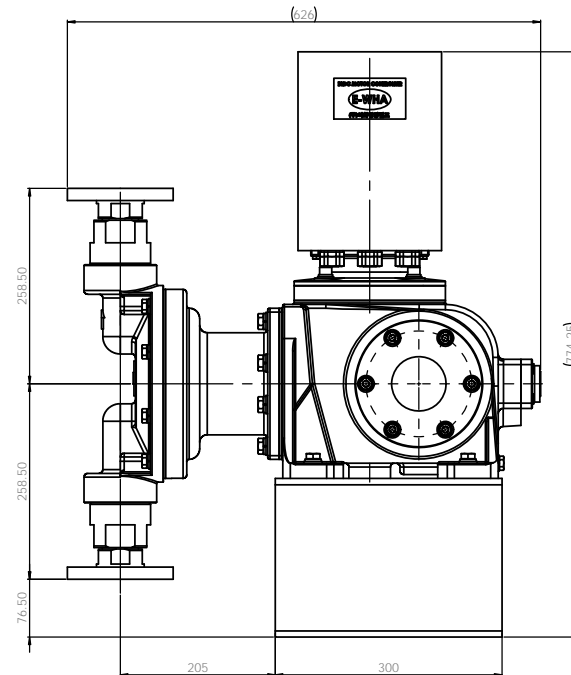
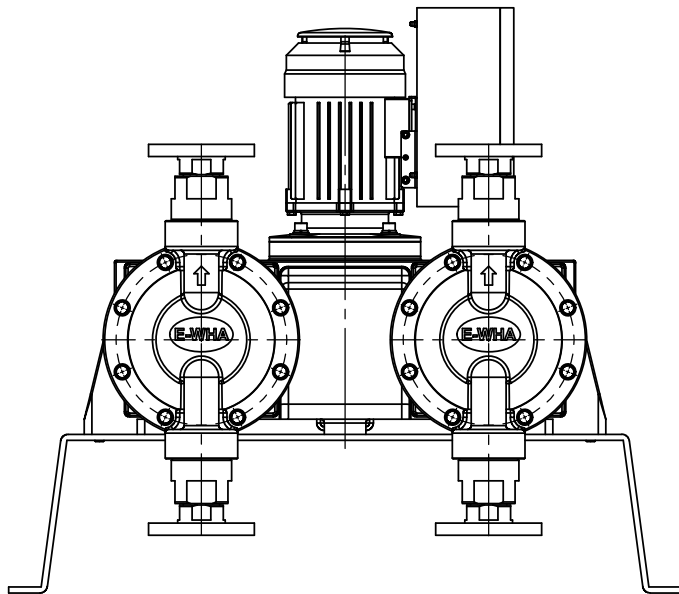
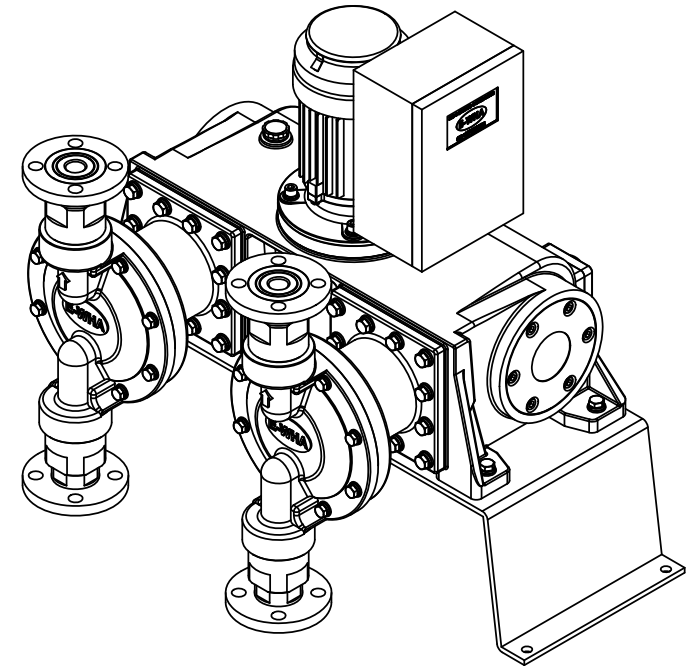
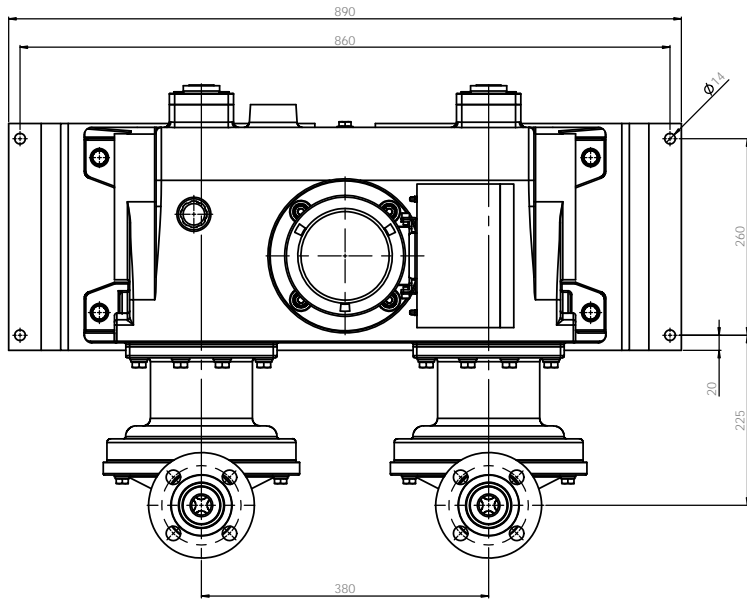
Note
 1. Model : GVLD40L
 2. Material : PP / PVdF
 3. Connection : Flange

E-WHA CHEMICAL FEEDER CO., LTD.		AG	
PUMP ASSEMBLY-DIM		AG	
GVLD40LPCF-KS 10K-40A FF		AG	
PVC		AG	
AG1000B1004A		AG	



Note
 1. Model : GVLD40L
 2. Material : PTFE
 3. Connection : Flange

REVISIONS		REVISED BY		DATE	
1	INITIAL				
2					
3					
4					
5					
6					
7					
8					
9					
10					
E-WHA CHEMICAL FEEDER CO., LTD.					
PUMP ASSEMBLY-DIM					
GVLD40LTCF-KS 10K 40A FF					
PTFE AG1004B1004A AD					



Note
 1. Model : GVLD40L
 2. Material : Stainless steel
 3. Connection : Flange

E-WHA CHEMICAL FEEDER CO., LTD.	
PUMP ASSEMBLY-DIM	
GVLD40LS454F-KS 10K 40A FF	
SUS304	AG1201B1004A