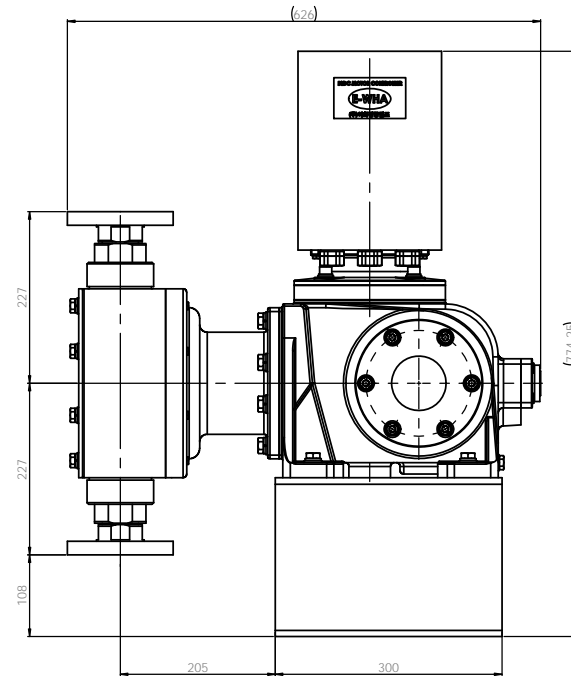
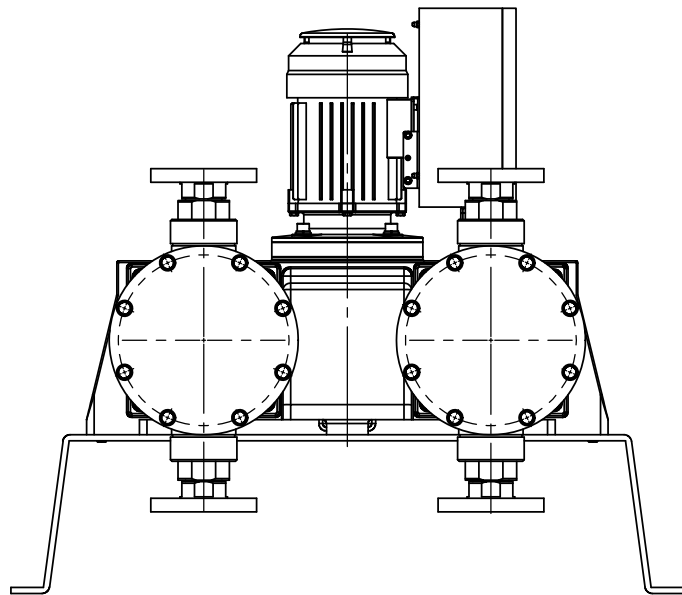
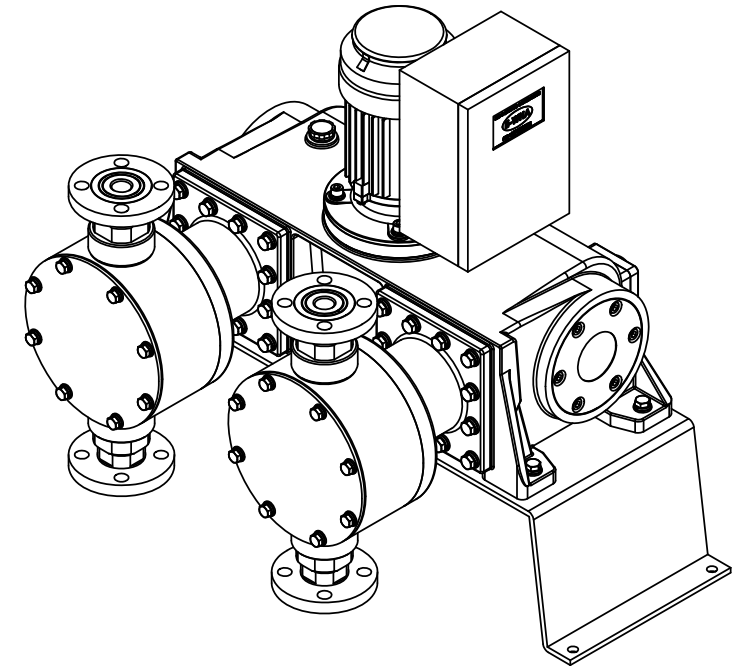
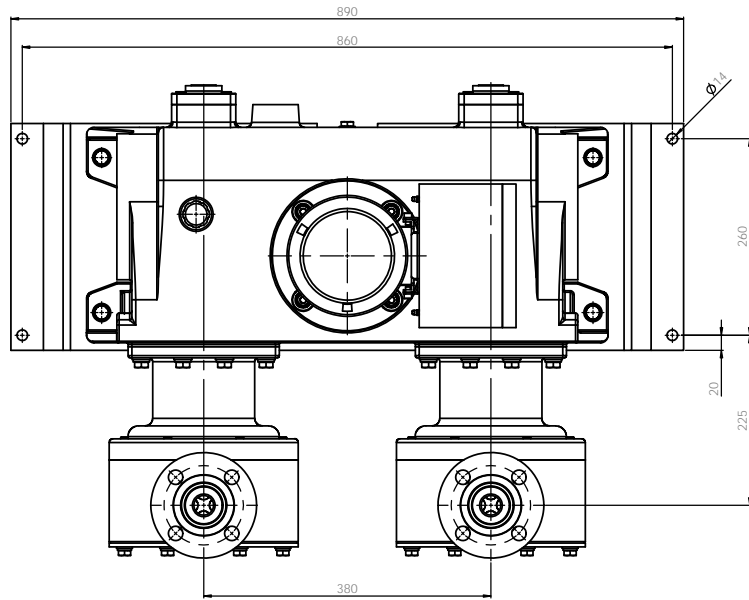


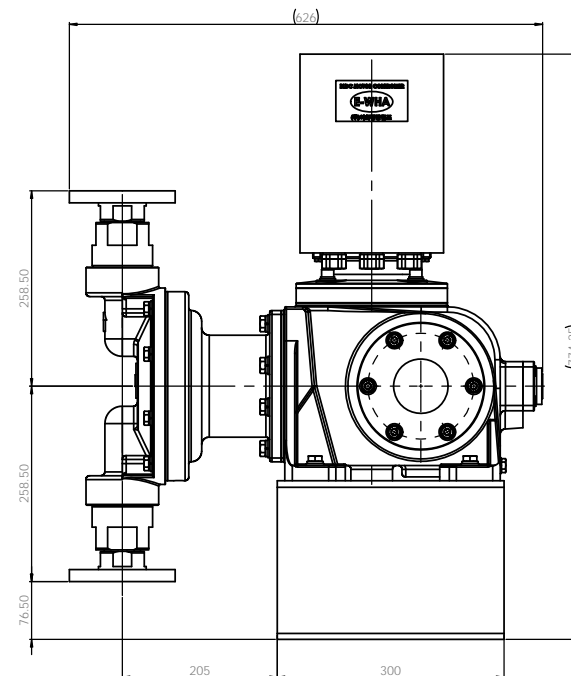
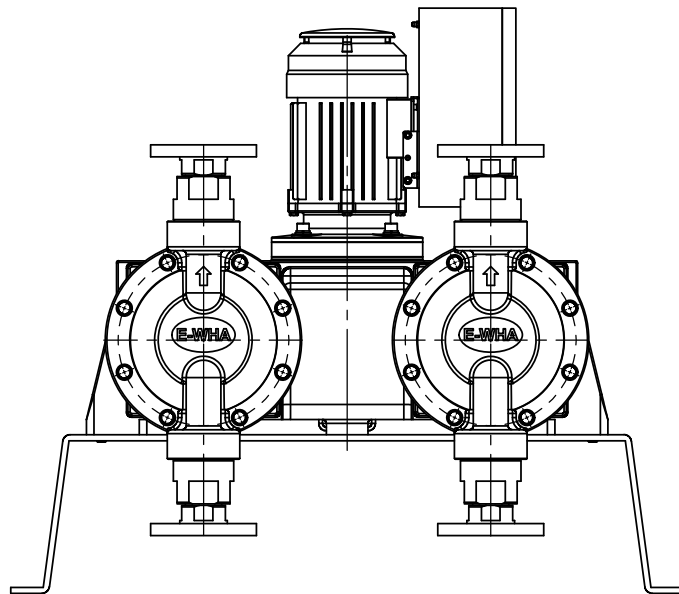
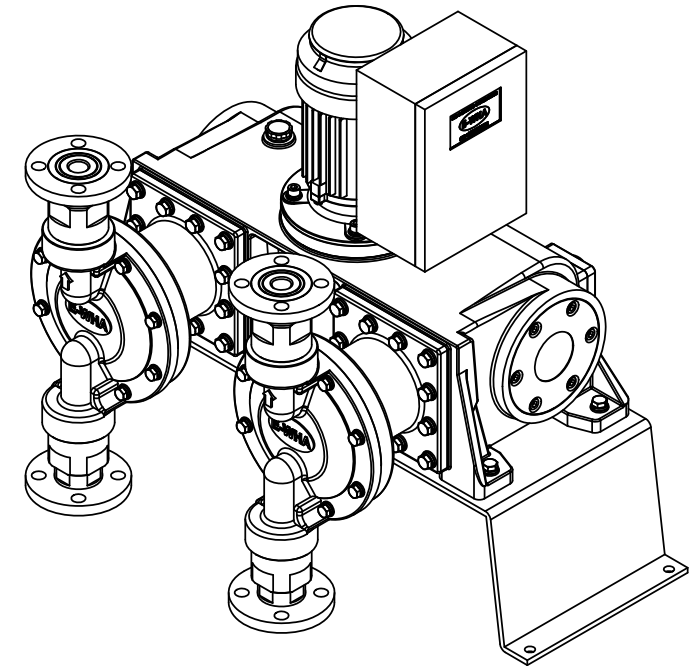
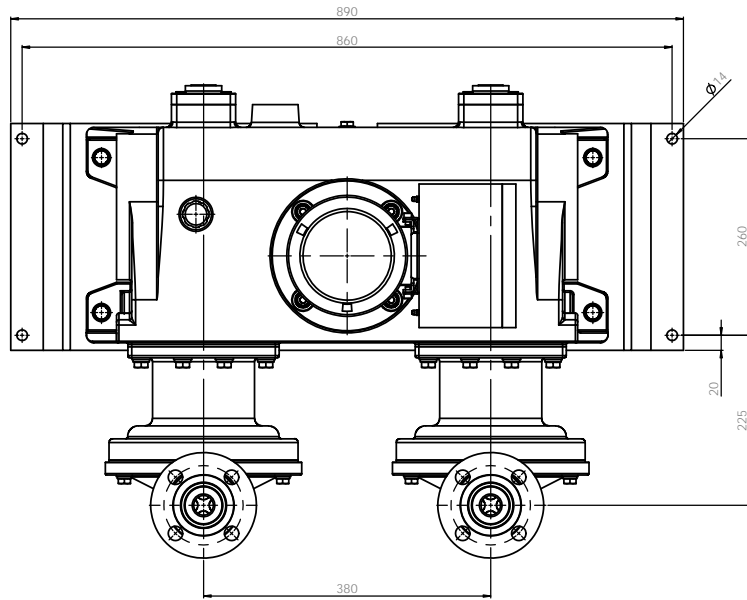
Note
 1. Model : GVLD60L
 2. Material : PP / PVdF
 3. Connection : Flange

E-WHA CHEMICAL FEEDER CO., LTD.	
PUMP ASSEMBLY-DIM	
GVLD60LPCF-KS 10K-40A FF	
PVC	AG1000B1006A



Note
 1. Model : GVLD60L
 2. Material : PTFE
 3. Connection : Flange

E-WHA CHEMICAL FEEDER CO., LTD.		AG	
PUMP ASSEMBLY-DIM		AG	
GVLD60LTCF-KS 10K 40A FF		AG	
PTFE		AG1004B1006A	



Note
 1. Model : GVLD60L
 2. Material : Stainless steel
 3. Connection : Flange

E-WHA CHEMICAL FEEDER CO., LTD.		AG	
PUMP ASSEMBLY-DIM		AG	
GVLD60LS4S4F-KS 10K 40A FF		AG	
SUS304		AG1201B1006A	