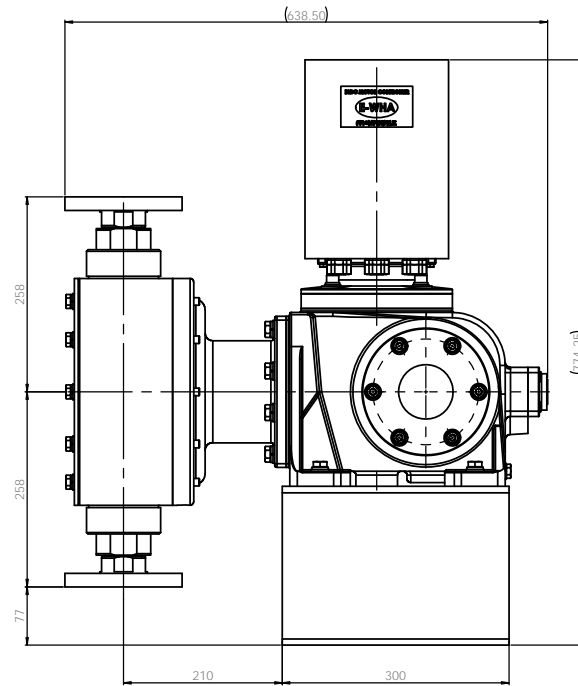
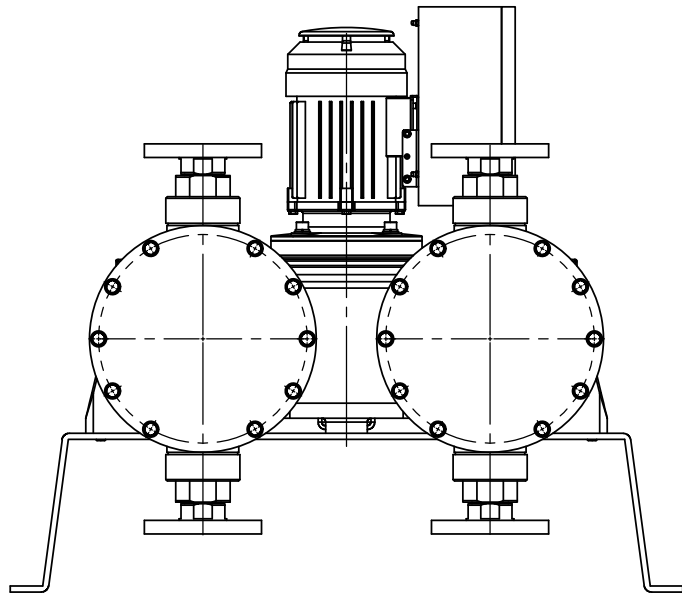
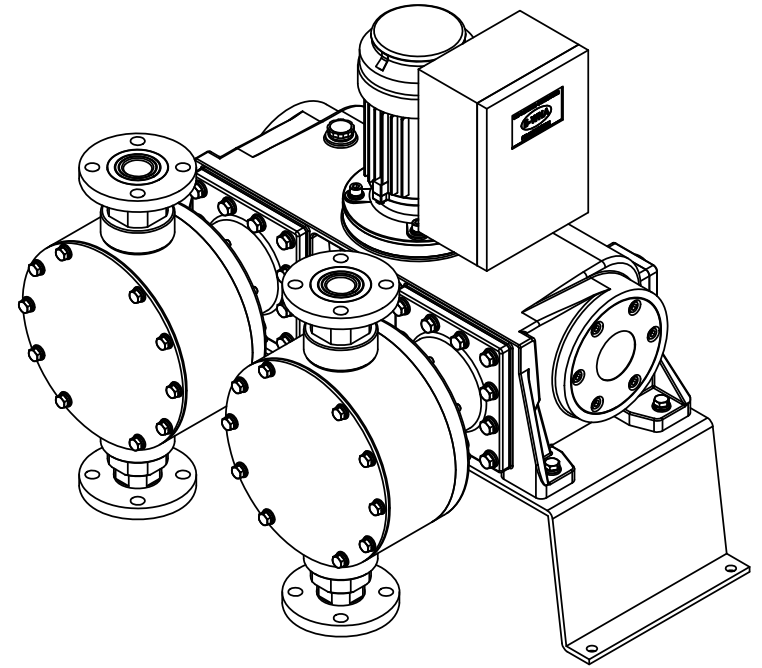
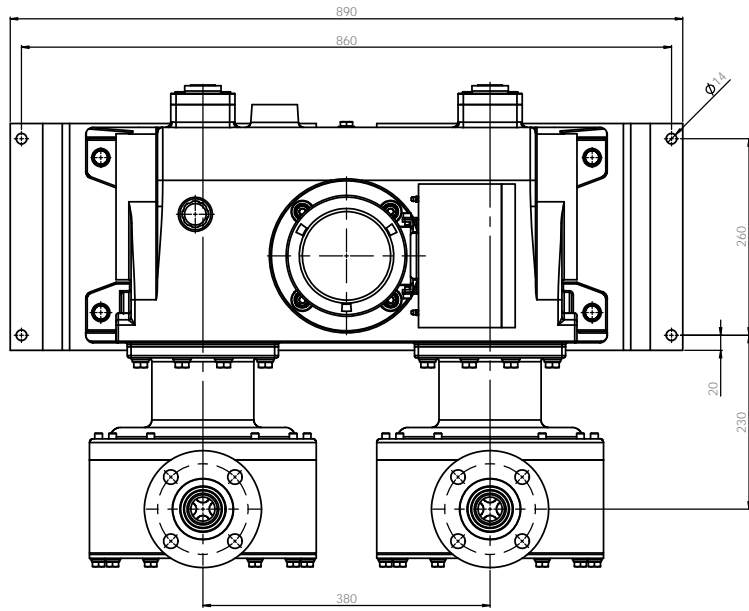


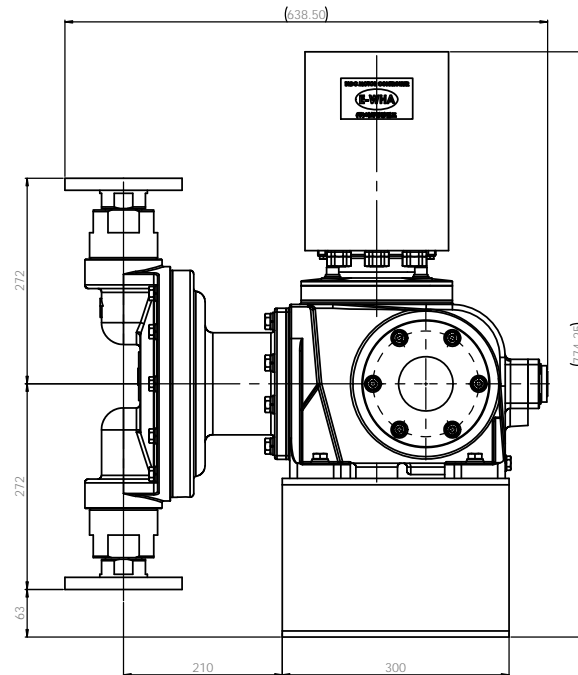
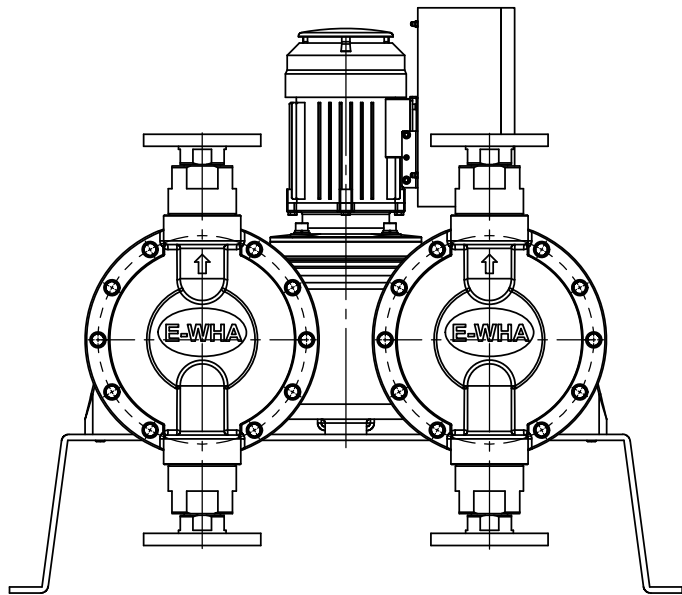
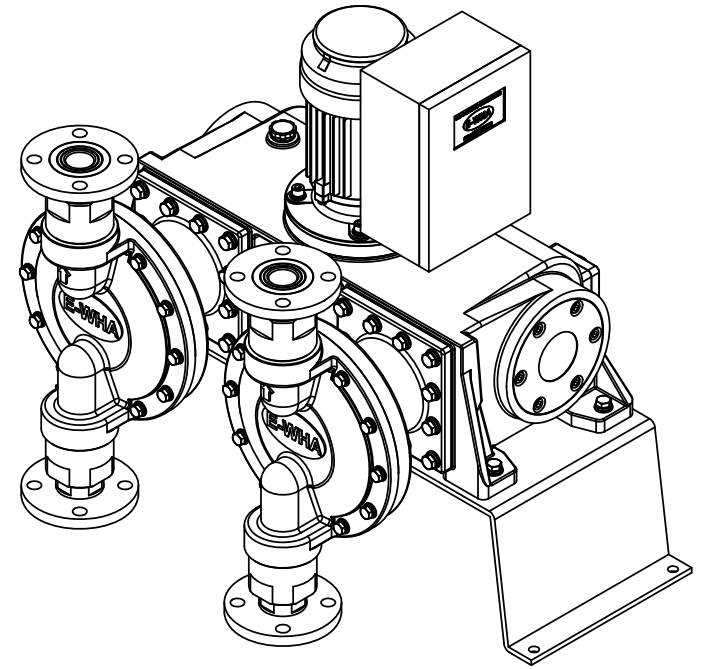
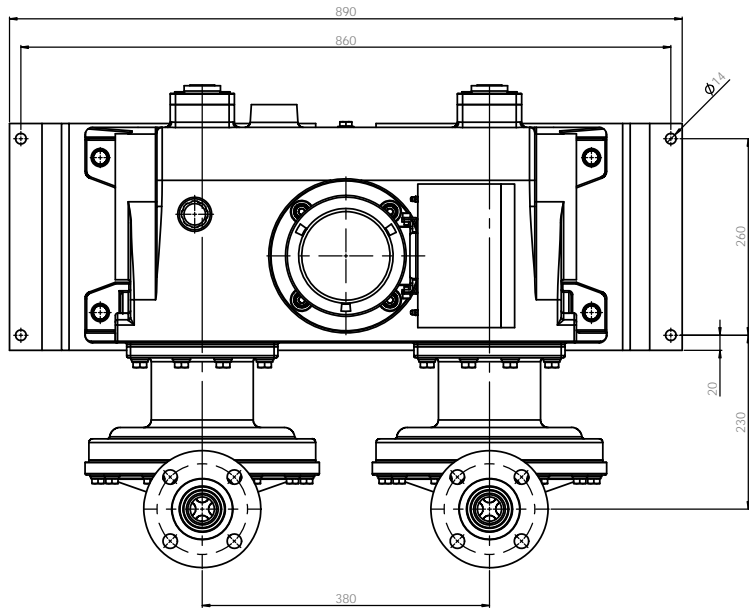
Note
 1. Model : *GVLD80L*
 2. Material : *PP / PVdF*
 3. Connection : *Flange*

E-WHA CHEMICAL FEEDER CO., LTD.		AG	
PUMP ASSEMBLY-DIM		AG	
GVLD80LPCF-KS 10K 50A FF		AG	
PVC		AG	
AG1000B1008B		AG	



Note
 1. Model : *GVLD80L*
 2. Material : *PTFE*
 3. Connection : *Flange*

E-WHA CHEMICAL FEEDER CO., LTD.		AG	
PUMP ASSEMBLY-DIM		AG	
GVLD80LTCF-KS 10K 50A FF		AG	
PTFE		AG	
AG1004B1008B		AG	



Note
 1. Model : GVLD80L
 2. Material : Stainless steel
 3. Connection : Flange

REVISION		DATE		BY		CHECK		APPROVED	
E-WHA CHEMICAL FEEDER CO., LTD.									
PUMP ASSEMBLY-DIM									
GVLD80LS454F-KS 10K 50A FF									
SUS304								AG1201B1008B	
								AD	