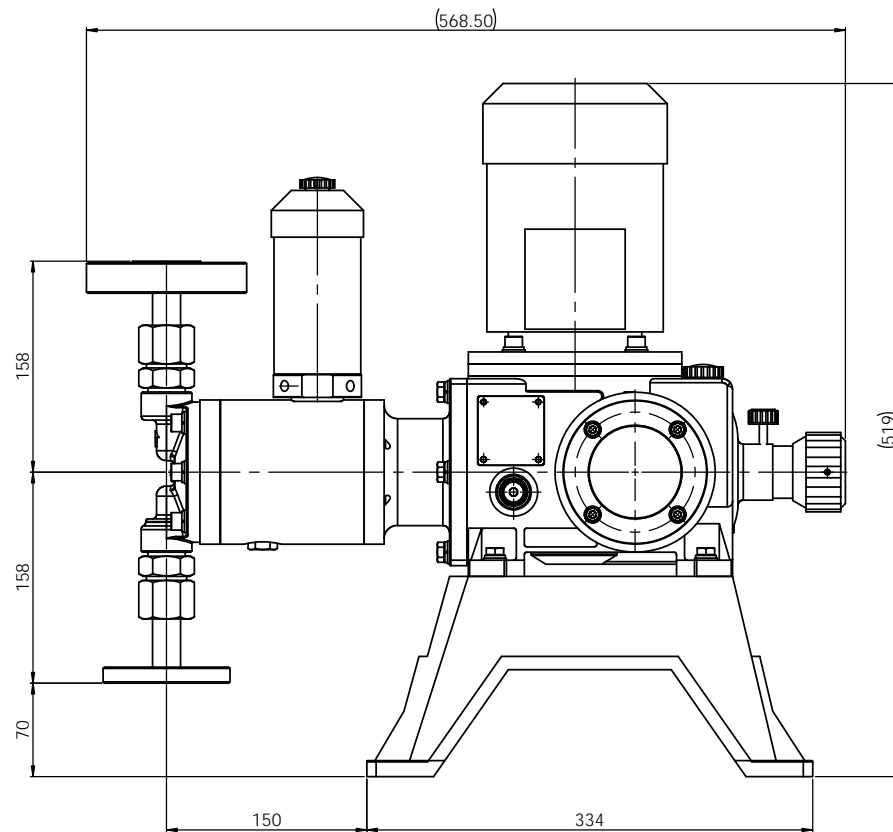
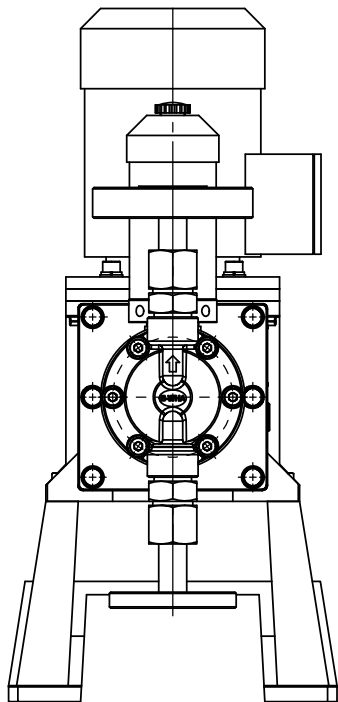
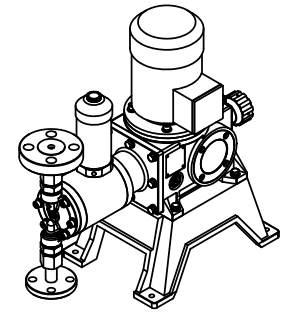
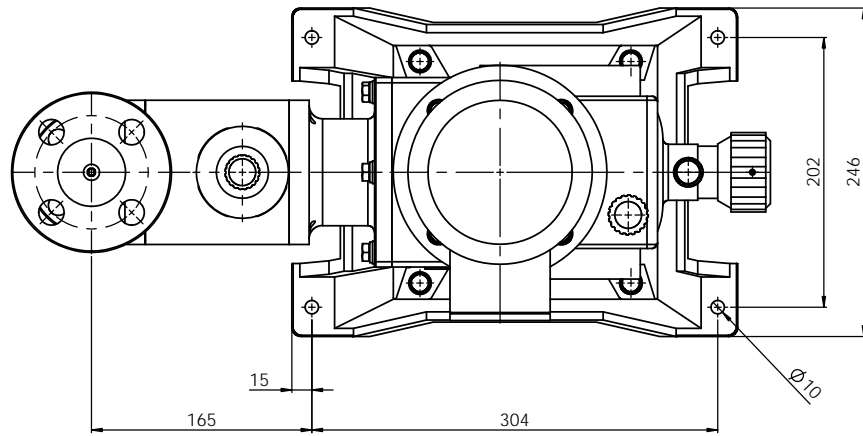


Note
 1. Model : JMH100
 2. Material : PP / PVdF / PTFE
 3. Connection : Flange

PANEL DIMENSIONS SPECIFIED DIMENSIONS ARE IN MILLIMETERS TOLERANCES UNLESS SPECIFIED UNLESS NOTED OTHERWISE		FINISH	SCALE AND BREAK SHARP EDGES		DO NOT SCALE DRAWING	REVISION
DATE	DATE	DATE	DATE	DATE	DATE	DATE
DESIGNER	W. PARK	2018.02.21				
CHECKER	W. PARK	2018.02.21				
APPROVED	S.C. KIM	2018.02.22				
BY						
DATE						
MATERIAL			PVC		P1018E1002A	
SCALE 1:1			SHEET 1 OF 1		E-WHA CHEMICAL FEEDER CO., LTD.	
PUMP ASSEMBLY-DIM			JMH100PCF-KS 10K 15A-0.4KW		A1	



Note
 1. Model : JMH100
 2. Material : Stainless steel
 3. Connection : Flange

PUMP ASSEMBLY SPECIFIED DIMENSIONS ARE IN MILLIMETERS		UNITS		SCALE AND BREAK SHARP EDGES		DO NOT SCALE DRAWING		REVISION	
DATE	BY	DATE	BY	DATE	BY	DATE	BY	DATE	BY
2020.02.21		2020.02.21		2020.02.21		2020.02.21		2020.02.21	
W. PARK		S.C. KIM							
DRAWN		CHECKED		DESIGNED		MATERIAL		SUS304	
PUMP ASSEMBLY-DIM		JMH100S4S4F-10K 15A/63K 15A-0.4KW		SHEET NO.		P1200E1002A		A1	
E-WHA CHEMICAL FEEDER CO., LTD.		SCALE 1:1		SHEET 1 OF 1					