

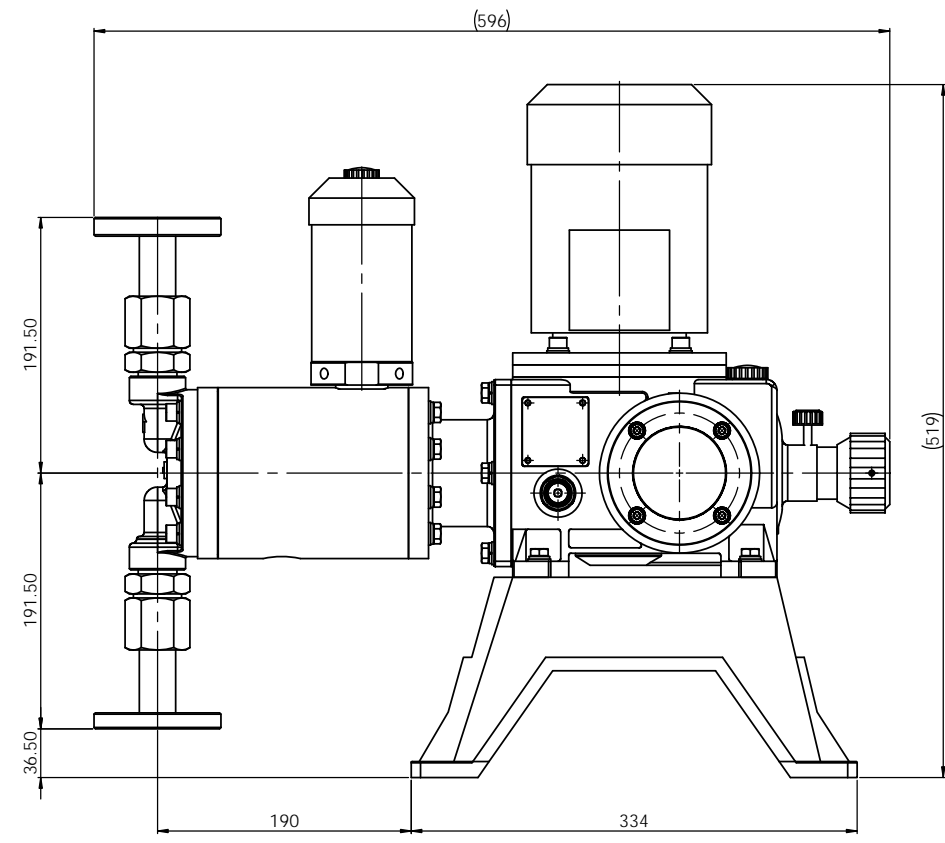
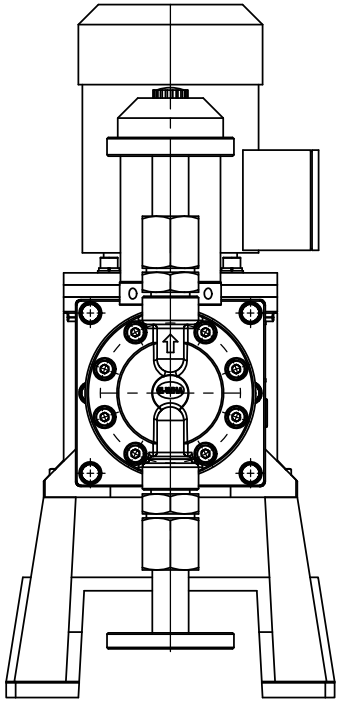
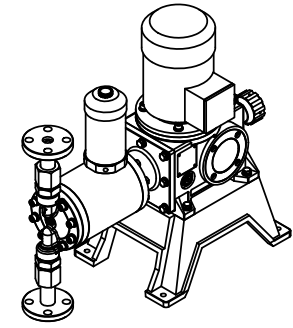
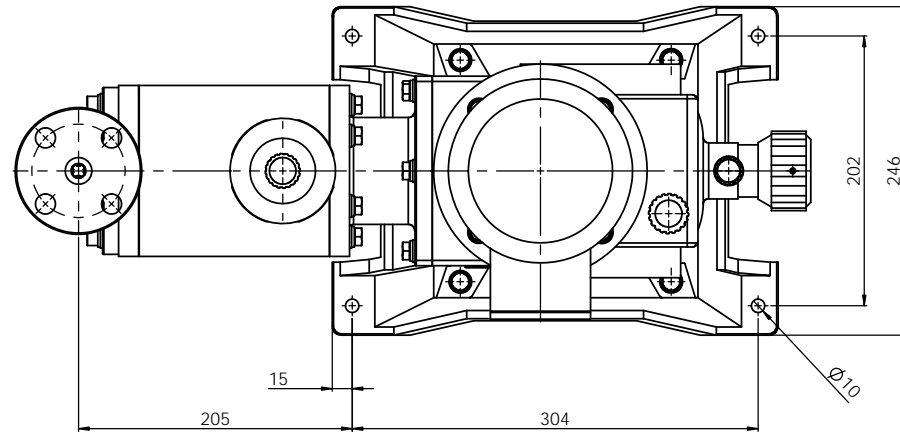
Note
 1. Model : JMH1000
 2. Material : PP / PVdF / PTFE
 3. Connection : Flange

PANEL DIMENSIONS SPECIFIED DIMENSIONS ARE IN MILLIMETERS UNLESS OTHERWISE SPECIFIED				SCALE AND BREAK SHARP EDGES		DO NOT SCALE DRAWING		REVISION
DATE:	DATE:	DATE:	DATE:	DATE:	DATE:	DATE:	DATE:	
DESIGNER:	W. PAKK	2020.02.21						
CHECKER:	W. PAKK	2020.02.21						
APPROVED:	S.C. KEM	2020.02.22						
BY:								
DATE:								
MATERIAL:				PVC		SPEC. NO.:		P1018E1006A
SCALE:				1:1		SHEET:		1 OF 1

E-WHA CHEMICAL FEEDER CO., LTD.

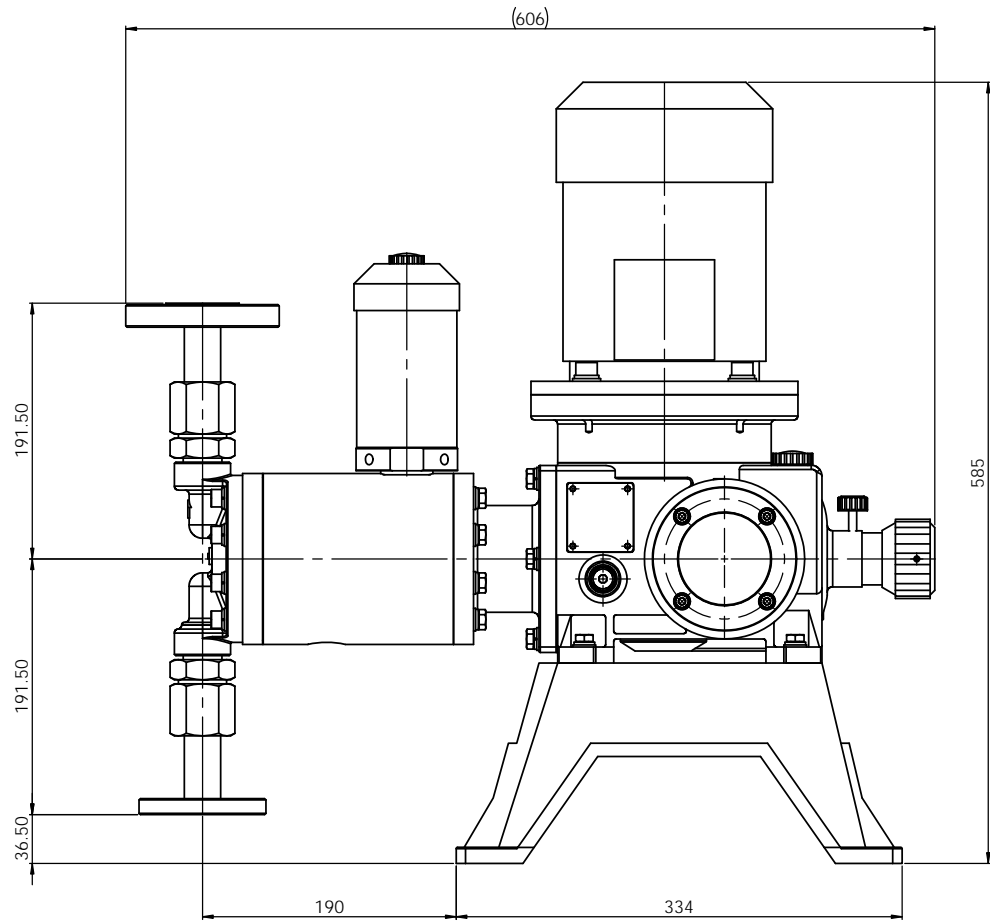
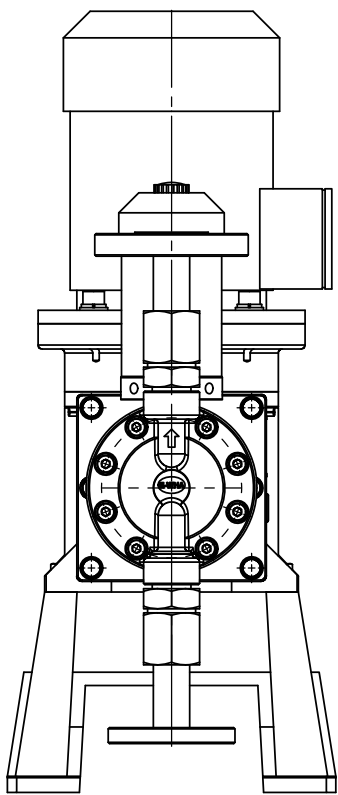
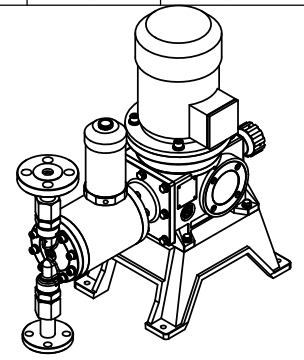
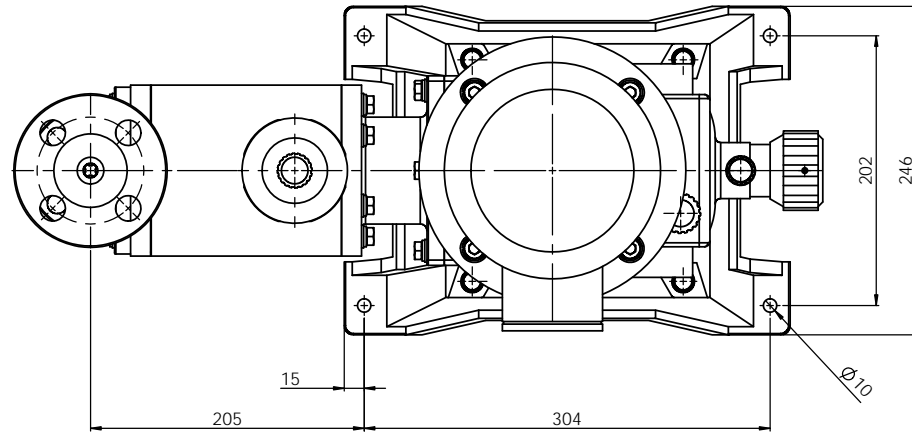
PUMP ASSEMBLY-DIM
 JMH1000PCF-KS 10K 15A-0.4kW

A1



Note
 1. Model : JMH100
 2. Material : Stainless steel
 3. Connection : Flange

ALL DIMENSIONS SPECIFIED UNLESS OTHERWISE SPECIFIED DIMENSIONS ARE IN MILLIMETERS UNLESS OTHERWISE SPECIFIED				E-WHA CHEMICAL FEEDER CO., LTD.	
TOLERANCES UNLESS OTHERWISE SPECIFIED				DO NOT SCALE DRAWING	
LINEAR				REVISION	
ANGULAR					
DATE	DATE	DATE	DATE	DATE	DATE
DRWING	W. PARK	2024.02.21			
CHKD	W. PARK	2024.02.21			
APPROV	S.C. KIM	2024.02.22			
REV					
MATERIAL			SUS304		
SPEC NO.			P1200E1006A		
SCALE			SCALE 1:1		
SHEET			SHEET 1 OF 1		



Note
 1. Model : JMH100
 2. Material : Stainless steel
 3. Connection : Flange

<small>ALL DIMENSIONS SPECIFIED UNLESS OTHERWISE SPECIFIED DIMENSIONS ARE IN MILLIMETERS</small> <small>TOLERANCES UNLESS SPECIFIED</small>				<small>SCALE AND BREAK SHARP EDGES</small>		<small>DO NOT SCALE DRAWING</small>		<small>REVISION</small>	
<small>DATE</small>				<small>DESIGNER</small>		<small>DRAWN</small>		<small>E-WHA CHEMICAL FEEDER CO., LTD.</small>	
<small>DATE</small>				<small>DESIGNER</small>		<small>DRAWN</small>		<small>PUMP ASSEMBLY-DIM</small>	
<small>DATE</small>				<small>DESIGNER</small>		<small>DRAWN</small>		<small>JMH1000S454F-10K 15A/30K 15A-0.75KW</small>	
<small>DATE</small>				<small>DESIGNER</small>		<small>DRAWN</small>		<small>MATERIAL</small>	
<small>DATE</small>				<small>DESIGNER</small>		<small>DRAWN</small>		<small>SUS304</small>	
<small>DATE</small>				<small>DESIGNER</small>		<small>DRAWN</small>		<small>P1201E1006A</small>	
<small>DATE</small>				<small>DESIGNER</small>		<small>DRAWN</small>		<small>A1</small>	