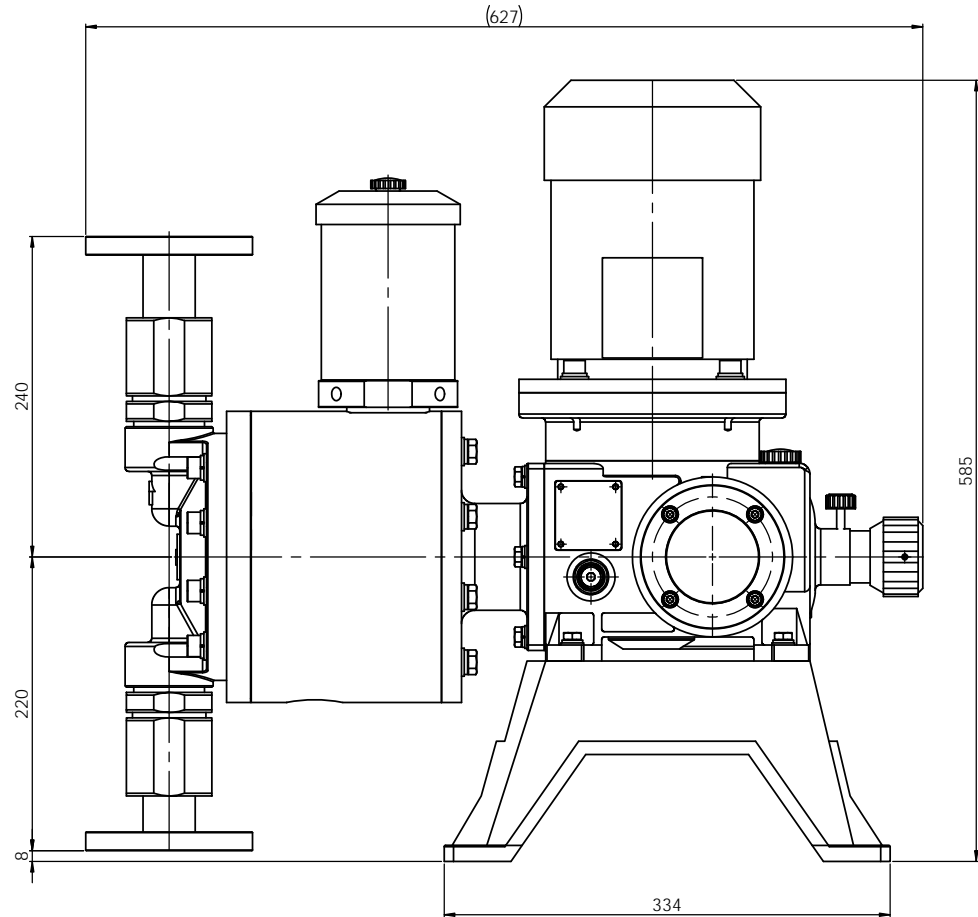
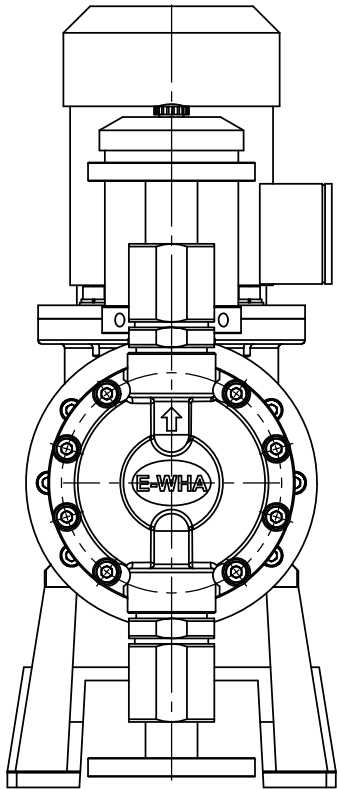
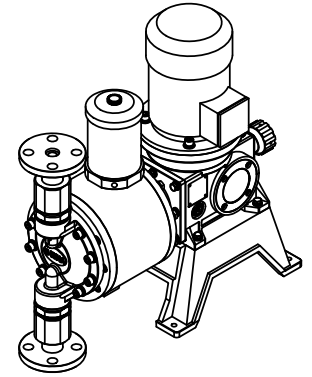
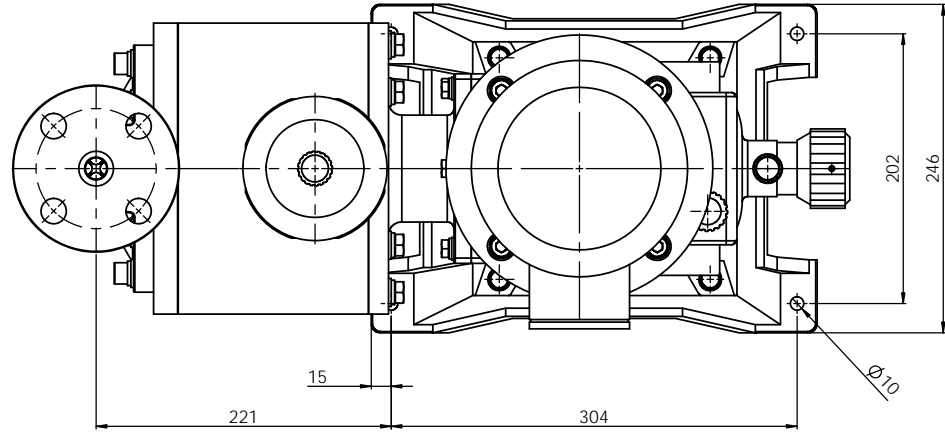


Note
 1. Model : JMH10L
 2. Material : PP / PVdF / PTFE
 3. Connection : Flange

ALL DIMENSIONS SPECIFIED UNLESS OTHERWISE SPECIFIED DIMENSIONS ARE IN MILLIMETERS TOLERANCES UNLESS SPECIFIED: FINISH: ANGULAR			DIMENSIONS AND FINISH: SHARP EDGES		DO NOT SCALE DRAWING		REVISION	
DRAWN: W. PARK CHECKED: S.C. KIM DATE: 2020.02.21 DATE: 2020.02.22			DESIGNED: W. PARK DATE: 2020.02.21		TITLE: PUMP ASSEMBLY-DIM JMH10LPCF-KS 10K 25A-0.75kW		E-WHA CHEMICAL FEEDER CO., LTD.	
Dwg. No.: P1019E1013A			Material: PVC		Scale: 1:1		Sheet: 1 of 1	



Note
 1. Model : JMH100
 2. Material : Stainless steel
 3. Connection : Flange

ALL DIMENSIONS SPECIFIED UNLESS OTHERWISE SPECIFIED DIMENSIONS ARE IN MILLIMETERS TOLERANCES: FRACTIONS DECIMALS ANGULAR		FINISH BRASS AND BRASS SHARP POLISH	DO NOT SCALE DRAWING REVISION
DRAWN W. PARK DATE 2020.02.21	CHECKED W. PARK DATE 2020.02.21	DESIGNED S.C. KIM DATE 2020.02.21	TITLE PUMP ASSEMBLY-DIM JMH10LS4S4F-10K 15A/16K 25A-0.75kw
MATERIAL SUS304	DWG NO. P1201E1013A	SCALE 1:1	SHEET NO. 1 OF 1