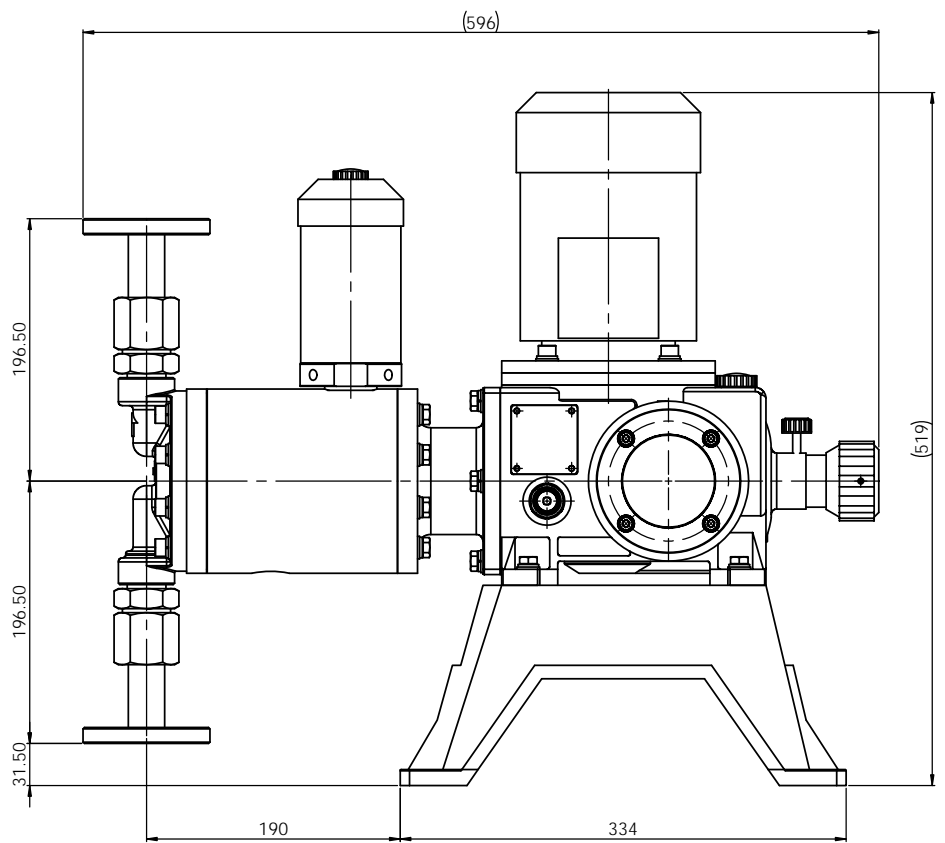
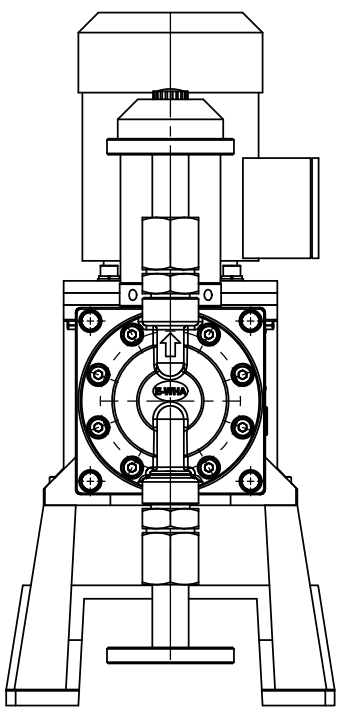
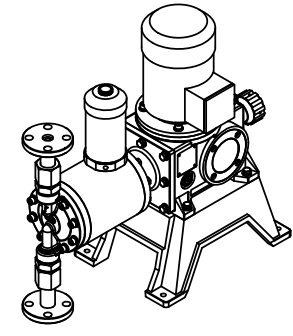
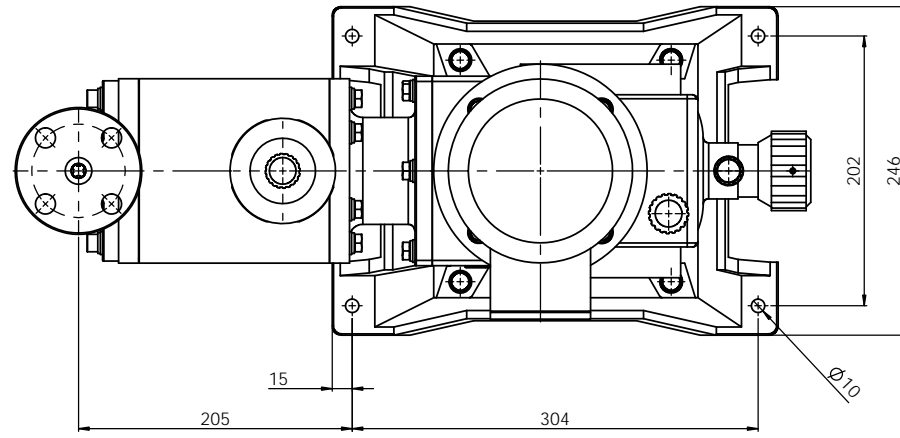


Note
 1. Model : JMH2000
 2. Material : PP / PVdF / PTFE
 3. Connection : Flange

PANEL DIMENSIONS SPECIFIED DIMENSIONS ARE IN MILLIMETERS				SCALE AND BREAK SHARP EDGES		DO NOT SCALE DRAWING		REVISION
DATE	BY	CHKD	APP'D	SCALE	BREAK	DATE	NO.	
2020.02.21	W. PAK							
2020.02.21	W. PAK							
2020.02.22	S.C. KHA							
MATERIAL				PVC		DIMENSION		
EQUIP				P1018E1007A		A1		
SCALE 1:1				SHEET 1 OF 1				

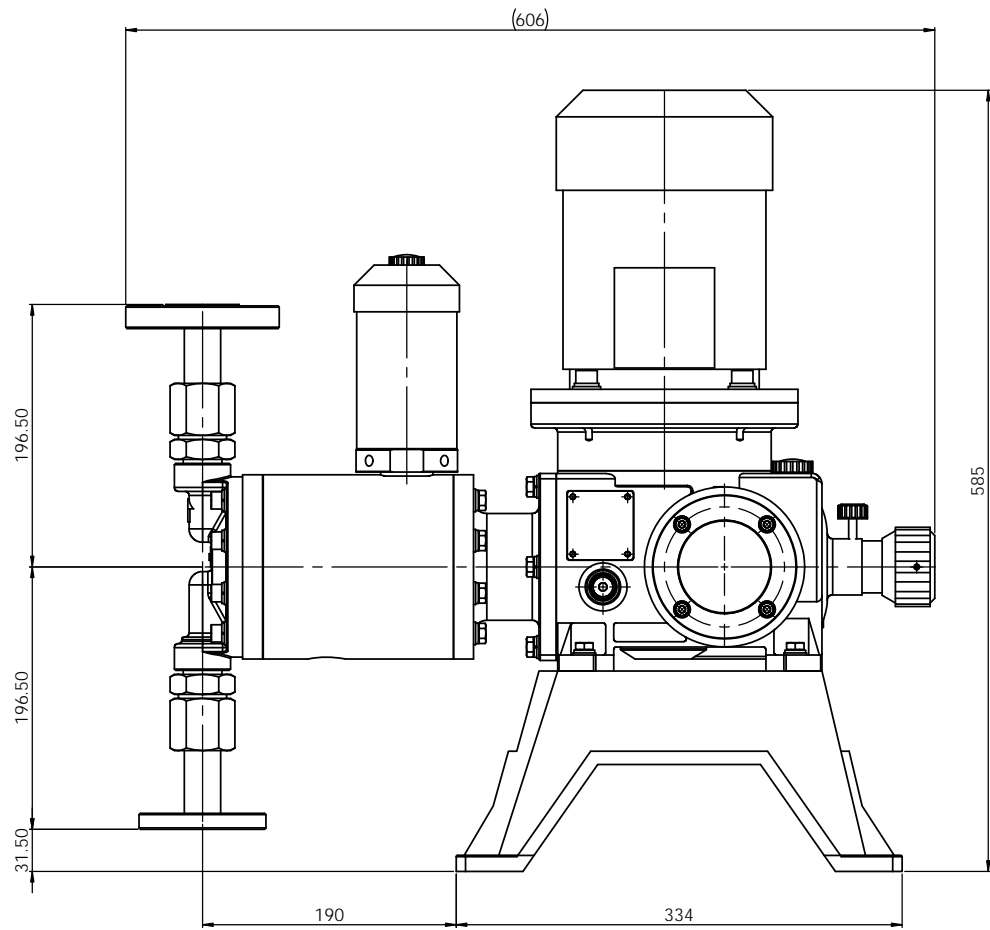
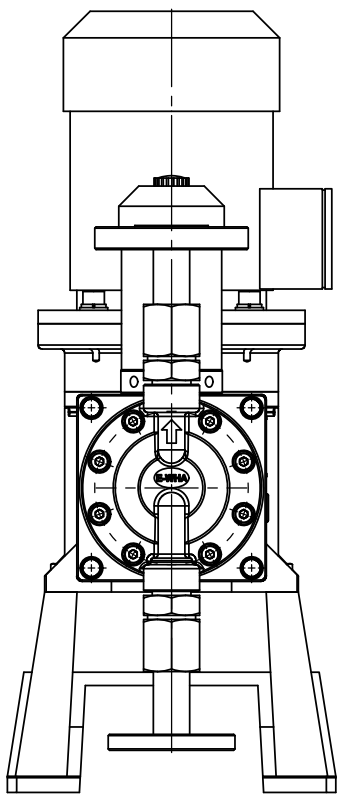
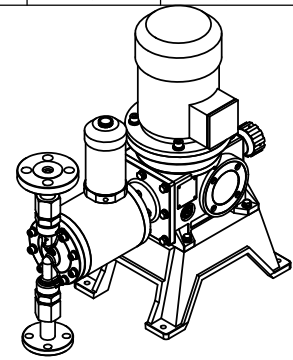
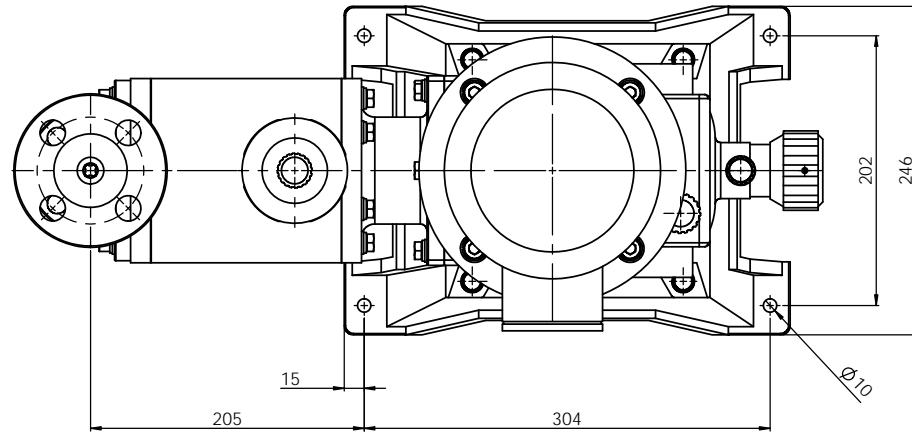
E-WHA CHEMICAL FEEDER CO., LTD.

PUMP ASSEMBLY-DIM
 JMH2000PCF-KS 10K 15A-0.4kW



Note
 1. Model : JMH2000
 2. Material : Stainless steel
 3. Connection : Flange

PUMP ASSEMBLY SPECIFIED DIMENSIONS ARE IN MILLIMETERS UNLESS OTHERWISE SPECIFIED		UNITS		SCALE AND BREAK SHARP EDGES		DO NOT SCALE DRAWING		REVISION	
DATE	BY	DATE	BY	DATE	BY	DATE	BY	DATE	BY
2024.02.21		2024.02.21		2024.02.21		2024.02.21		2024.02.21	
2024.02.21		2024.02.21		2024.02.21		2024.02.21		2024.02.21	
2024.02.21		2024.02.21		2024.02.21		2024.02.21		2024.02.21	
DIA.		MATERIAL		SUS304		DWG. NO.		P1200E1007A	
SCALE 1:1		SHEET 1 OF 1		E-WHA CHEMICAL FEEDER CO., LTD.		PUMP ASSEMBLY-DIM		JMH2000S4S4F-10K 15A/16K 15A-0.4kW	



Note
 1. Model : JMH2000
 2. Material : Stainless steel
 3. Connection : Flange

<small>ALL DIMENSIONS SPECIFIED UNLESS OTHERWISE SPECIFIED DIMENSIONS ARE IN MILLIMETERS</small> <small>TOLERANCES UNLESS OTHERWISE SPECIFIED</small>		<small>FINISH</small> <small>SCALE AND BREAK SHARP EDGES</small>	<small>DO NOT SCALE DRAWING</small>	<small>REVISION</small>
<small>DATE</small> <small>BY</small> <small>CHECKED</small> <small>APPROVED</small> <small>SCALE</small>	<small>DATE</small> <small>DATE</small> <small>DATE</small> <small>DATE</small>	<small>SCALE</small> <small>SCALE</small> <small>SCALE</small> <small>SCALE</small>	E-WHA CHEMICAL FEEDER CO., LTD.	
PUMP ASSEMBLY-DIM JMH2000S454F-10K 15A/30K 15A-0.75KW			P1201E1007A	
SUS304			A1	