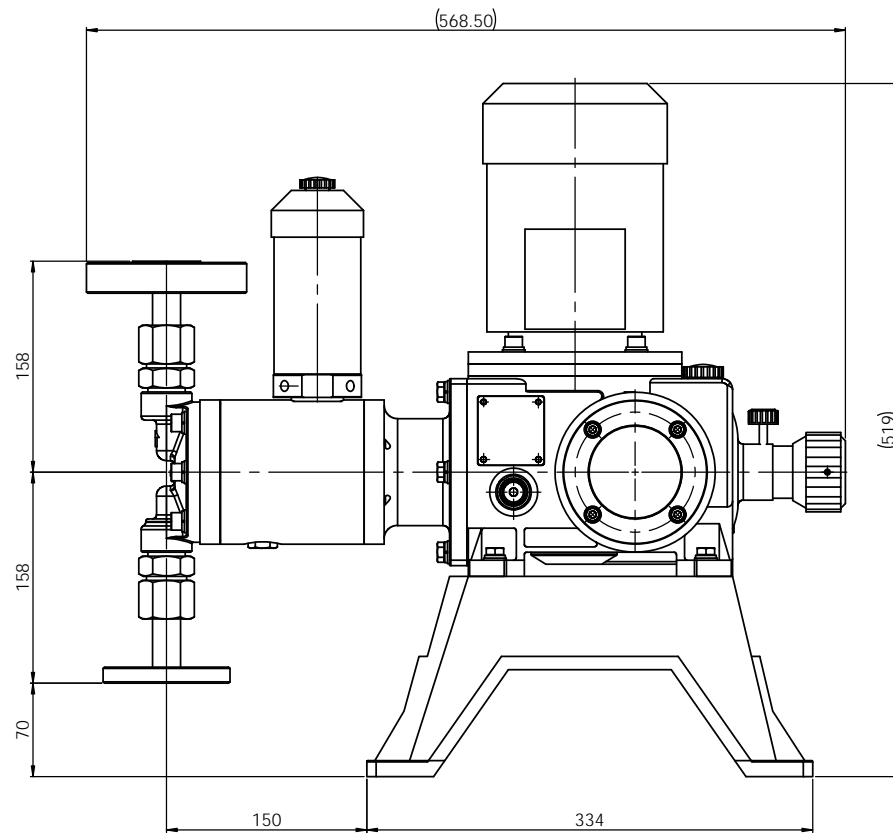
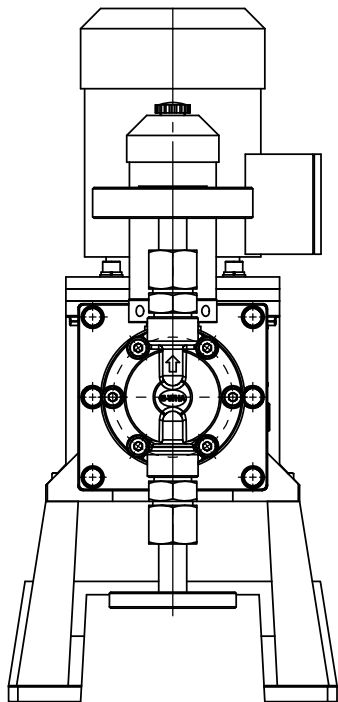
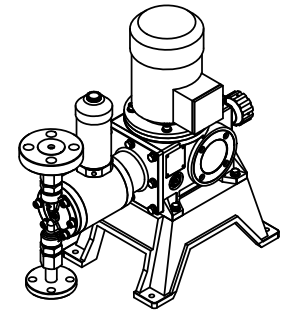
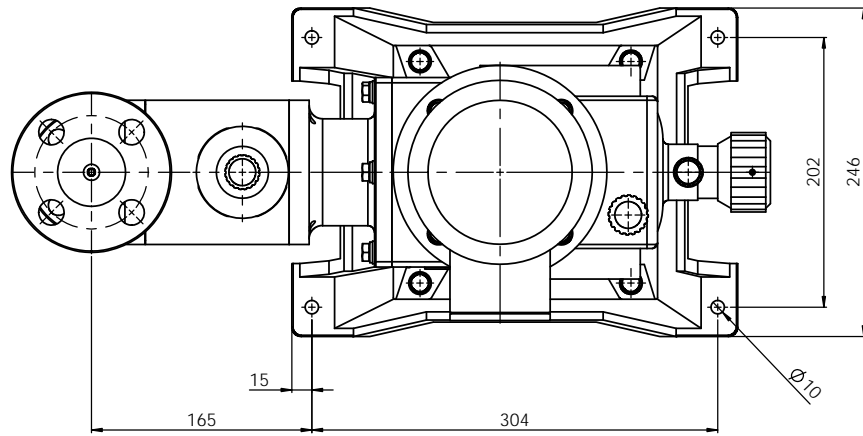


**Note**  
 1. Model : JMH300  
 2. Material : PP / PVdF / PTFE  
 3. Connection : Flange

PUMP ASSEMBLY SPECIFIED DIMENSIONS ARE IN MILLIMETERS				SCALE AND BREAK SHARP EDGE		DO NOT SCALE DRAWING		REVISION	
DATE	DATE	DATE	DATE	DATE	DATE	DATE	DATE	DATE	DATE
DESIGNER	W. PARK	2018.02.21							
CHECKER	W. PARK	2018.02.21							
APPROVED	S.C. KIM	2018.02.22							
DATE									
MATERIAL				PVC		SPEC. NO.		P1018E1003A	
SCALE 1:1				SHEET 1 OF 1					



**Note**  
 1. Model : JMH300  
 2. Material : Stainless steel  
 3. Connection : Flange

PUMP ASSEMBLY SPECIFIED DIMENSIONS ARE IN MILLIMETERS				SCALE AND BREAK SHARP EDGES		DO NOT SCALE DRAWING		REVISION	
DATE	DATE	DATE	DATE	DATE	DATE	DATE	DATE	DATE	DATE
DESIGNER	W. PARK	DESIGNER	W. PARK	DATE	2020.02.21				
CHECKER	W. PARK	CHECKER	W. PARK	DATE	2020.02.21				
APPROVED	S.C. KIM	APPROVED	S.C. KIM	DATE	2020.02.22				
DATE		DATE		DATE					
MATERIAL				SUS304		DRAWING NO.		P1200E1003A	
SCALE				1:1		SHEET NO.		A1	