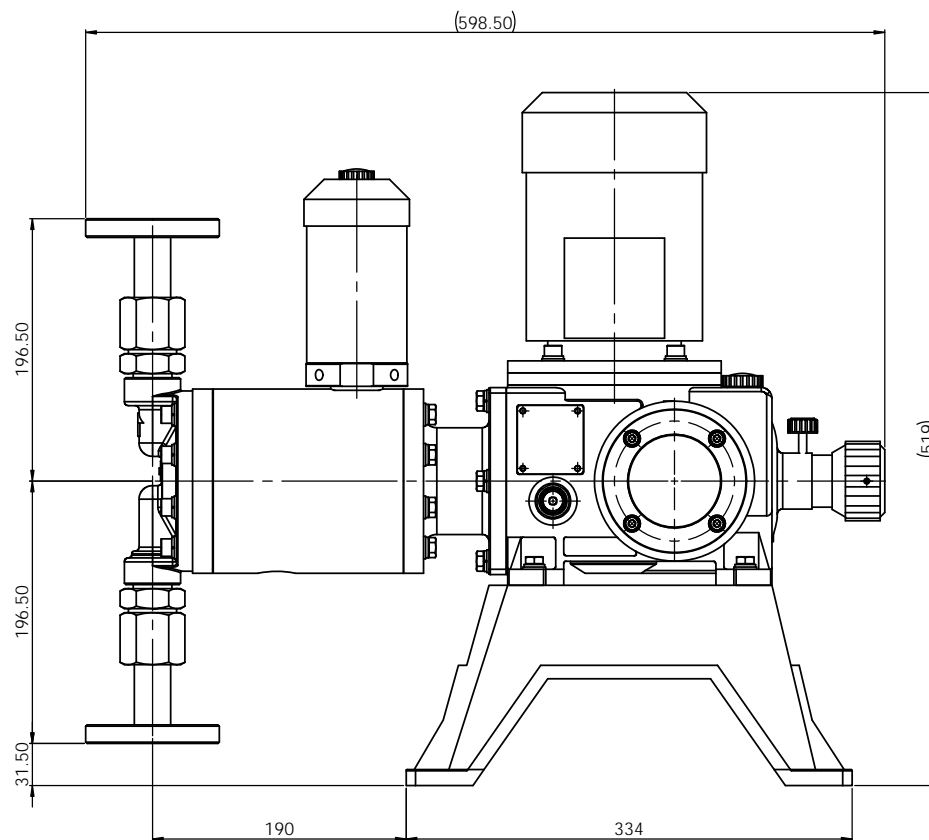
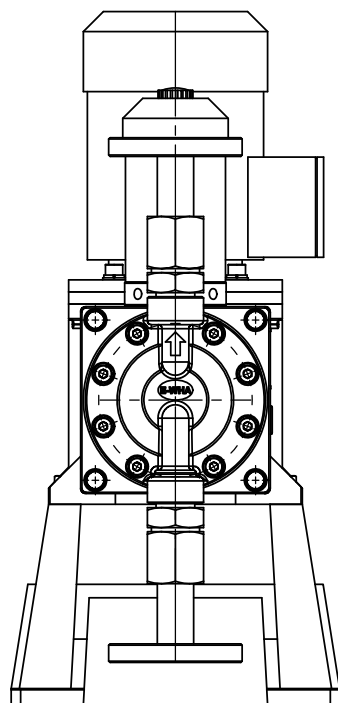
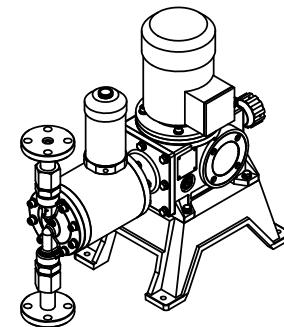
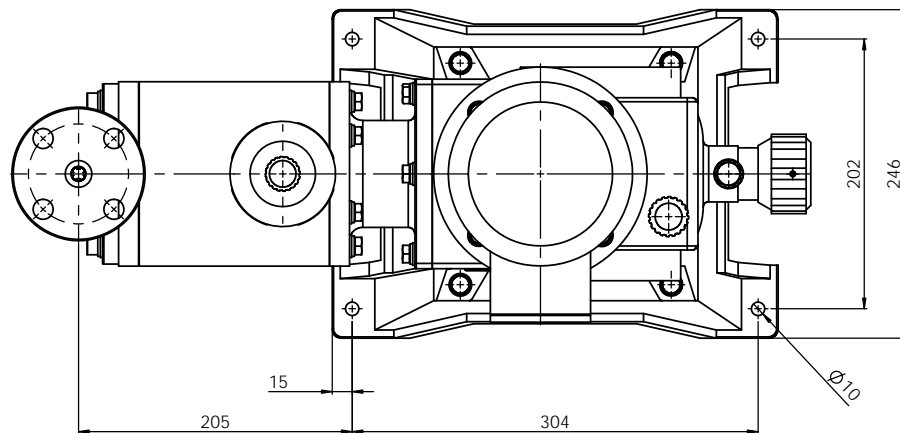


Note
 1. Model : JMH3000
 2. Material : PP / PVdF / PTFE
 3. Connection : Flange

ALL DIMENSIONS SPECIFIED UNLESS OTHERWISE SPECIFIED DIMENSIONS ARE IN MILLIMETERS TOLERANCES: FINISH: ANGULAR:		FINISH: BRASS AND BRASS SHARP EDGE:	DO NOT SCALE DRAWING REVISION:
DRAWN: W. PAKH CHECKED: W. PAKH APPROVED: S.C. KHA DATE: 2020.02.21 2020.02.21 2020.02.22	DATE: 2020.02.21 2020.02.21 2020.02.22	MATERIAL: PVC	E-WHA CHEMICAL FEEDER CO., LTD. PUMP ASSEMBLY-DIM JMH3000PCF-KS 10K 20A-0.4kW SHEET NO. P1018E1008B A1



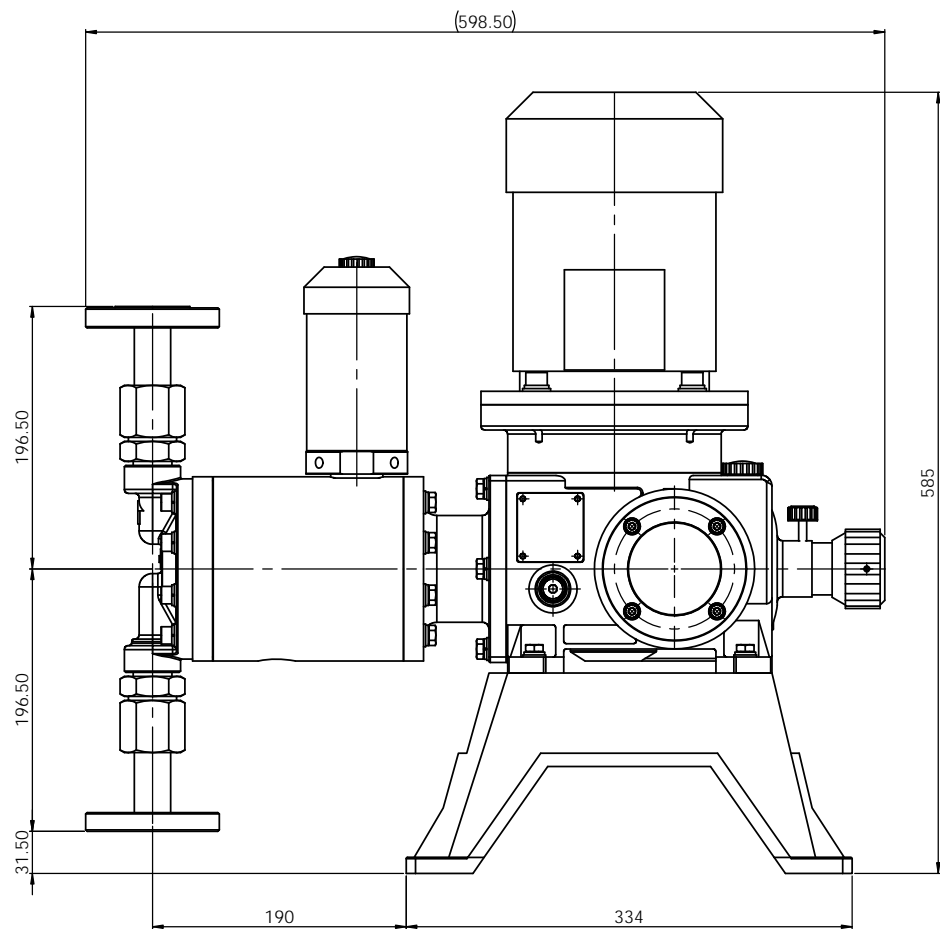
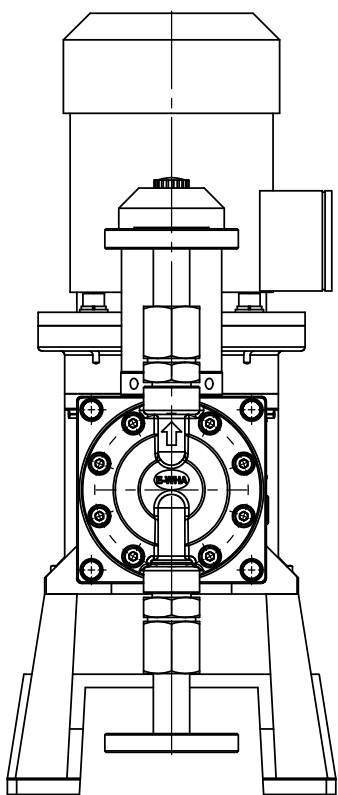
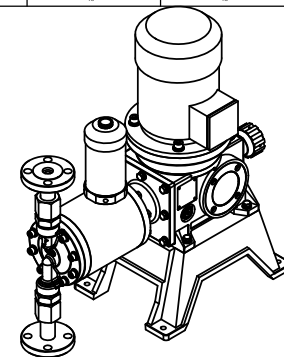
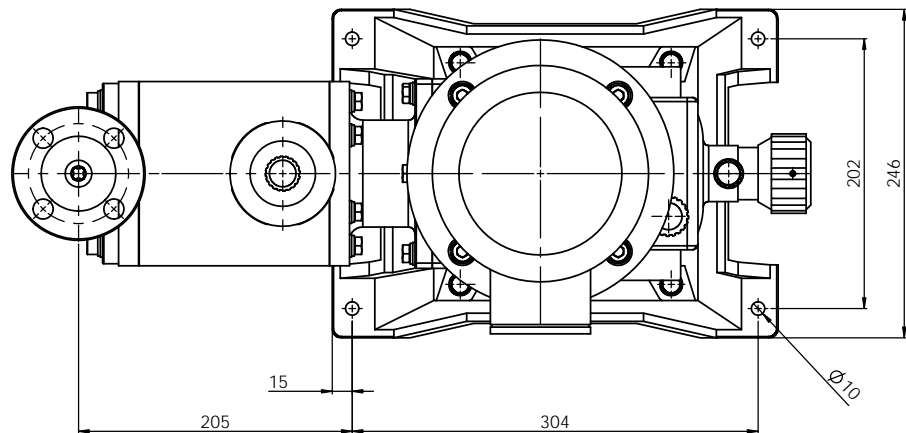
Note
 1. Model : JMH3000
 2. Material : Stainless steel
 3. Connection : Flange

PUMP ASSEMBLY-SPECIFIED DIMENSIONS ARE IN MILLIMETERS				SCALE AND BREAK SHARP EDGES		DO NOT SCALE DRAWING		REVISION	
NO.	DATE	BY	CHKD	DATE	BY	NO.	DESCRIPTION	DATE	BY
01	2024.02.21								
02	2024.02.21								
03	2024.02.22								
MATERIAL: SUS304				DRAWING NO: P1200E1008B		SCALE: 1:1		SHEET 1 OF 1	

E-WHA CHEMICAL FEEDER CO., LTD.

PUMP ASSEMBLY-DIM
 JMH3000S4S4F-10K 15A/16K 20A-0.4kW

SUS304 P1200E1008B A1



Note
 1. Model : JMH3000
 2. Material : Stainless steel
 3. Connection : Flange

ALL DIMENSIONS SPECIFIED UNLESS OTHERWISE SPECIFIED DIMENSIONS ARE IN MILLIMETERS			SCALE AND BASIC SHARP ENDS		DO NOT SCALE DRAWING		REVISION	
TOLERANCES UNLESS OTHERWISE SPECIFIED			FINISH		E-WHA CHEMICAL FEEDER CO., LTD.		REV	
LINE	DATE	DESCRIPTION	DATE	DESCRIPTION				
DRAWN	08/02/21	W. PARK	08/02/21	W. PARK	PUMP ASSEMBLY-DIM			
CHECKED	08/02/21	S.C. KIM	08/02/21	S.C. KIM	JMH3000S454F-10K 15A/20K 20A-0.75KW			
APPROVED	08/02/21	S.C. KIM	08/02/21	S.C. KIM				
DATE					MATERIAL		SUS304	
					DRAWING NO.		P1201E1008B	
					SCALE		A1	
					SHEET		1 OF 1	