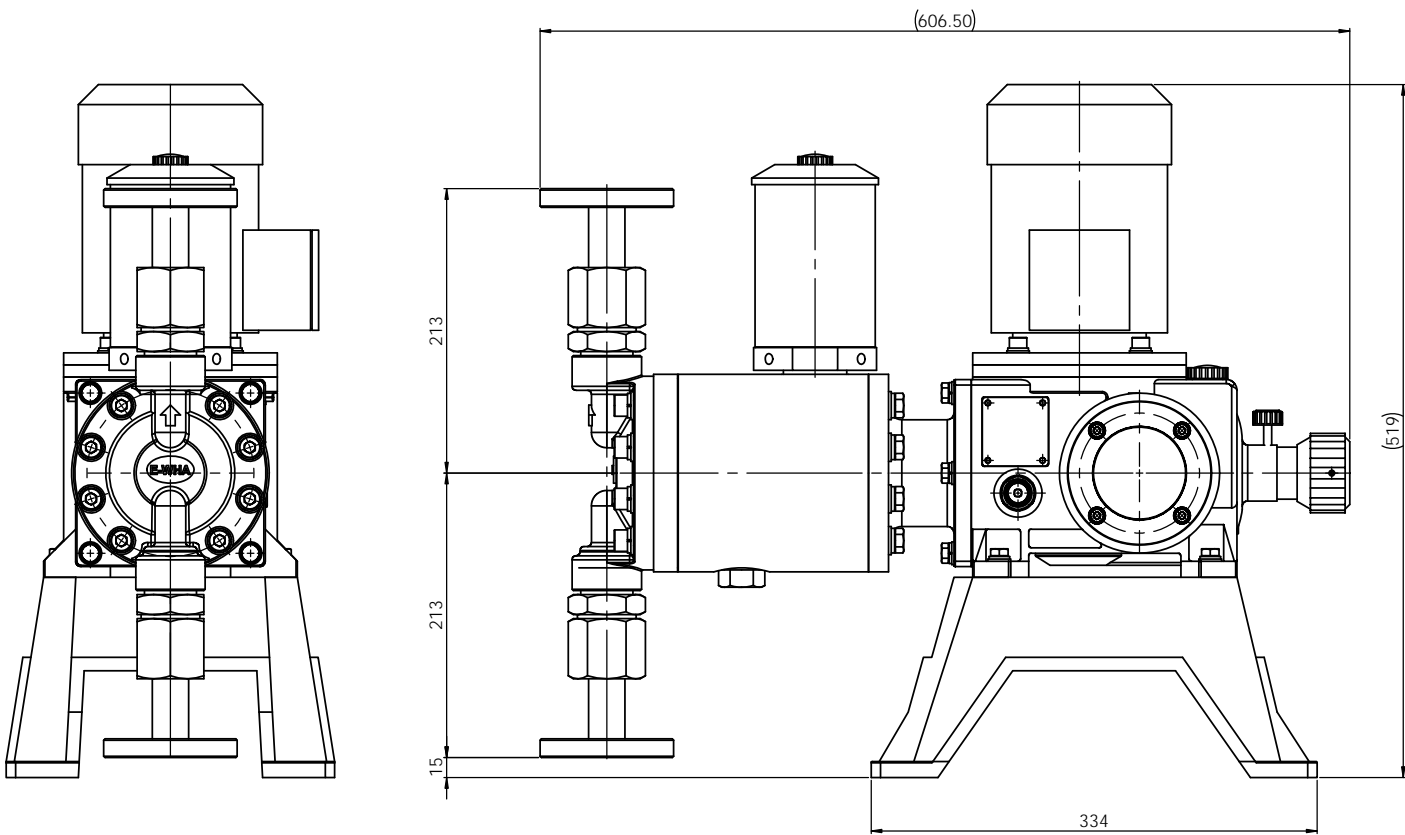
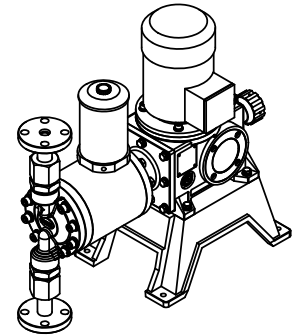
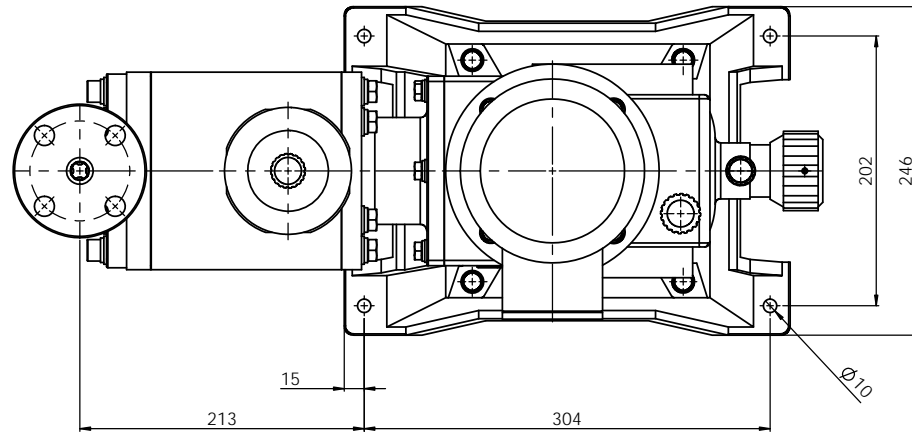


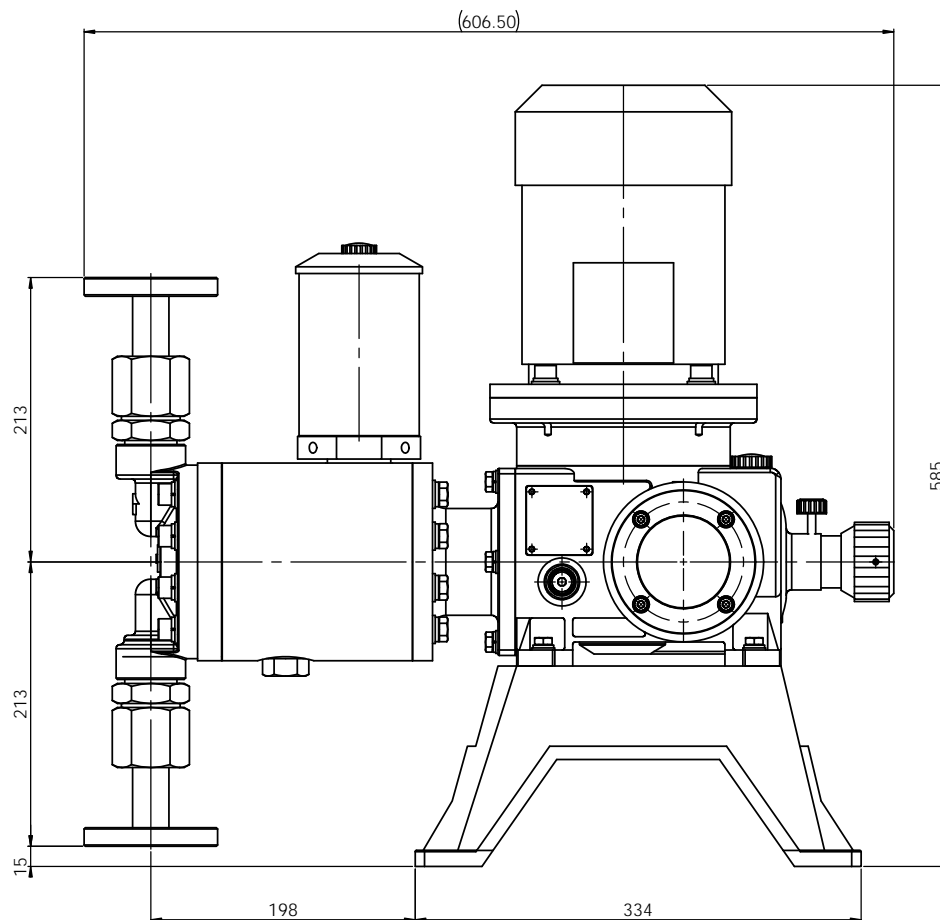
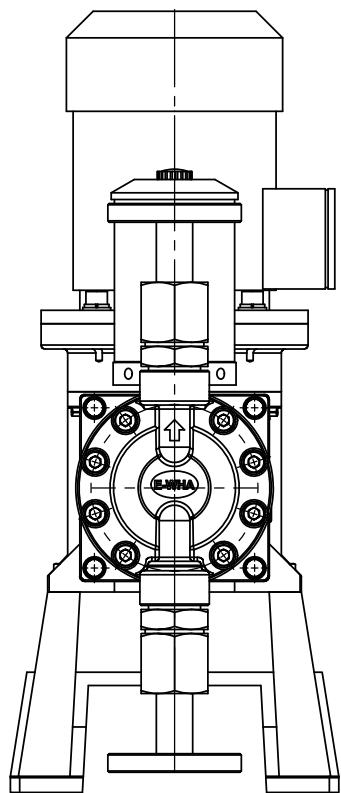
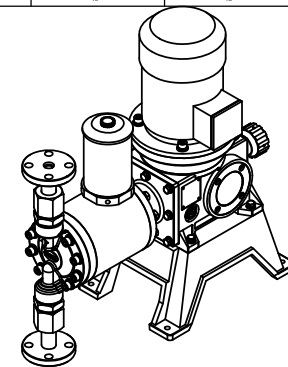
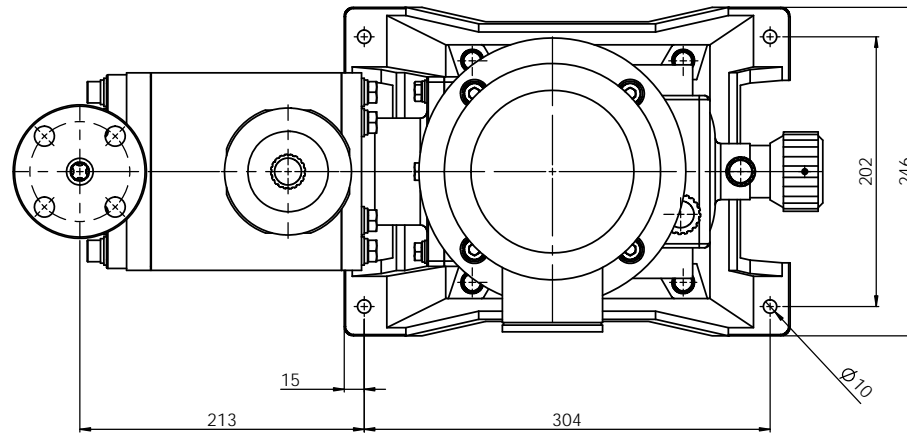
Note
 1. Model : JMH4000
 2. Material : PP / PVdF / PTFE
 3. Connection : Flange

PUMP ASSEMBLY-DIM		E-WHA CHEMICAL FEEDER CO., LTD.	
JMH4000PCF-KS 10K 20A-0.4kW		PVC	
P1018E1009B		A1	



Note
 1. Model : JMH4000
 2. Material : Stainless steel
 3. Connection : Flange

ALL DIMENSIONS SPECIFIED UNLESS OTHERWISE SPECIFIED DIMENSIONS ARE IN MILLIMETERS UNLESS INDICATED OTHERWISE		FINISH		SURFACE AND BEVEL SHARP EDGES		DO NOT SCALE DRAWING		REVISION	
DRAWN : W. PARK CHECK : W. PARK APPROV : S.C. KIM DATE : 2020.02.21 DATE : 2020.02.21 DATE : 2020.02.22	DESIGNED : DRAWN : CHECKED : APPROVED :	SUS304	P1200E1009B	E-WHA CHEMICAL FEEDER CO., LTD.		PUMP ASSEMBLY-DIM JMH4000S4S4F-10K 15A/10K 20A-0.4KW		A1	
SCALE 1:1		SHEET 1 OF 1		MATERIAL: SUS304		DRAWING NO: P1200E1009B		SHEET 1 OF 1	



Note
 1. Model : JMH4000
 2. Material : Stainless steel
 3. Connection : Flange

PUMP ASSEMBLY SPECIFIED DIMENSIONS ARE IN MILLIMETERS				SCALE AND BREAK SHARP EDGES		DO NOT SCALE DRAWING		REVISION	
DATE	BY	CHECKED	APPROVED	SCALE	BREAK				
2024.02.21									
2024.02.21									
2024.02.21									
MATERIAL				SUS304		DRAWING NO.		P1201E1009B	
EQUIPMENT				PUMP ASSEMBLY		SCALE		1:1	
DRAWN				W. PARK		DATE		2024.02.21	
CHECKED				W. PARK		DATE		2024.02.21	
APPROVED				S.C. KIM		DATE		2024.02.21	
REVISION									
SHEET NO.				1		TOTAL SHEETS		1	
DRAWING NO.				P1201E1009B		SCALE		1:1	
EQUIPMENT				PUMP ASSEMBLY		SCALE		1:1	

E-WHA CHEMICAL FEEDER CO., LTD.

PUMP ASSEMBLY-DIM
 JMH4000S454F-10K 15A/16K 20A-0.75KW

SUS304 P1201E1009B A1