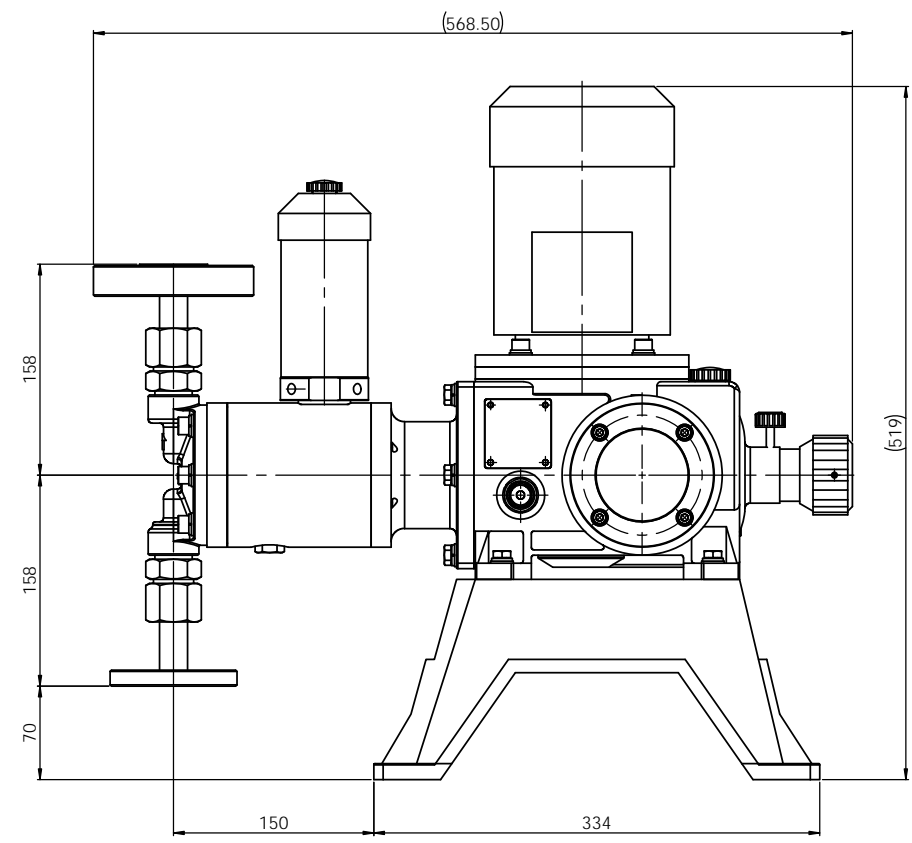
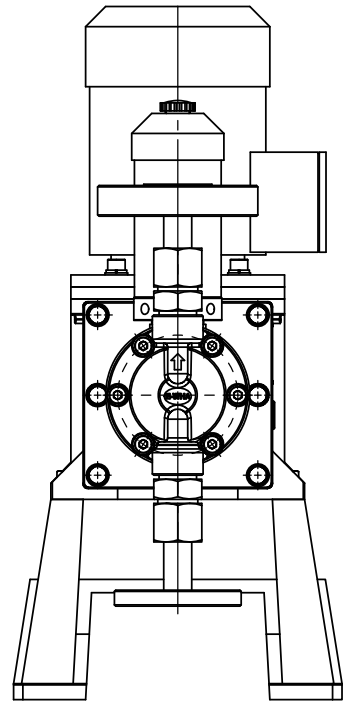
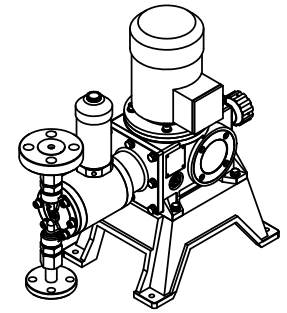
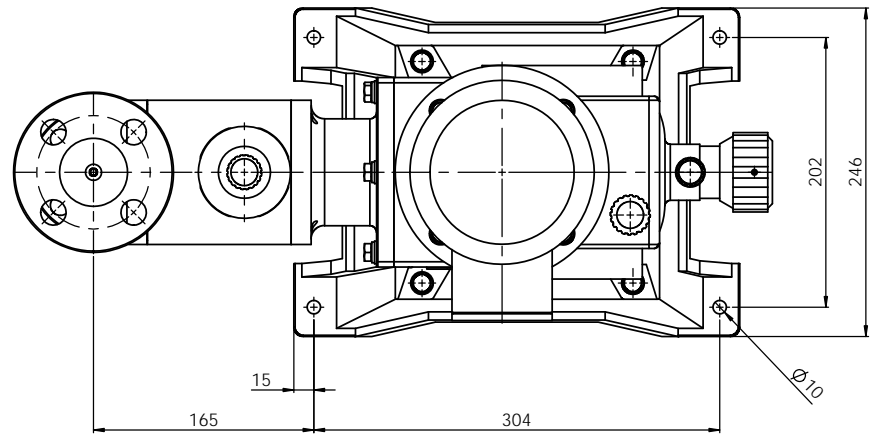


Note
 1. Model : JMH50
 2. Material : PP / PVdF / PTFE
 3. Connection : Flange

PUMP ASSEMBLY SPECIFIED DIMENSIONS ARE IN MILLIMETERS		UNITS		SCALE AND BREAK SHARP EDGES		DO NOT SCALE DRAWING		REVISION	
DATE	BY	DATE	BY	DATE	BY	DATE	BY	DATE	BY
2024.02.21	W. PARK	2024.02.21	W. PARK	2024.02.21	W. PARK	2024.02.21	W. PARK	2024.02.21	W. PARK
2024.02.21	S.C. KIM	2024.02.21	S.C. KIM	2024.02.21	S.C. KIM	2024.02.21	S.C. KIM	2024.02.21	S.C. KIM
MATERIAL		PVC		SPEC. NO.		P1018E1001A		A1	
SCALE 1:1		SHEET 1 OF 1		E-WHA CHEMICAL FEEDER CO., LTD.		PUMP ASSEMBLY-DIM JMH50PCF-KS 10K 15A-0.4kW			



Note
 1. Model : JMH50
 2. Material : Stainless steel
 3. Connection : Flange

<small>ALL DIMENSIONS SPECIFIED UNLESS OTHERWISE SPECIFIED DIMENSIONS ARE IN MILLIMETERS</small> TOLERANCES: FRACTIONS: ±0.10 DECIMALS: ±0.05 ANGLES: ±0.5°				<small>DO NOT SCALE DRAWING</small> REVISION	
DRAWN: W. PARK CHECK: W. PARK APPROV: S.C. KHA DATE: 2020.02.21 DATE: 2020.02.21 DATE: 2020.02.21				E-WHA CHEMICAL FEEDER CO., LTD. PUMP ASSEMBLY-DIM JMH50S4S4F-10K 15A/63K 15A-0.4kW	
Dwg No: P1200E1001A				Material: SUS304	
Scale: 1:1				Sheet: 1 of 1	