

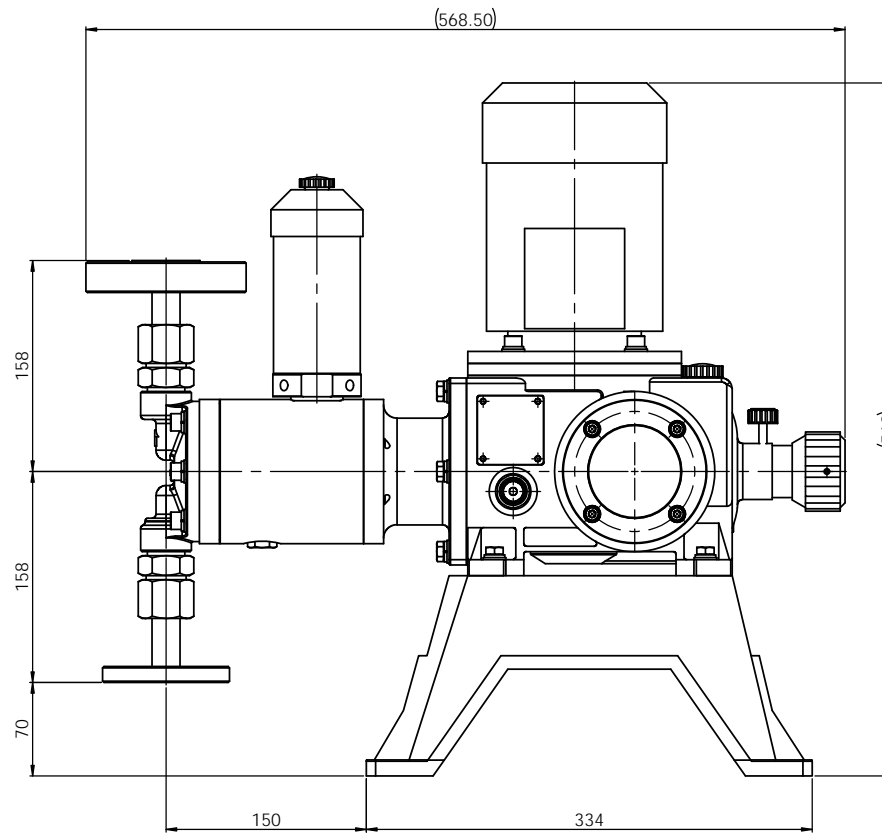
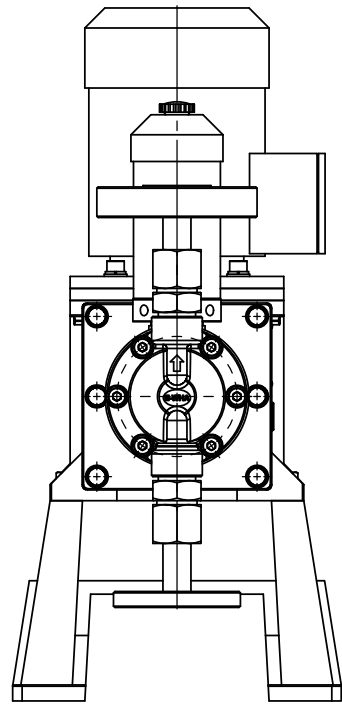
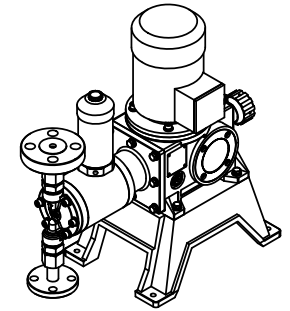
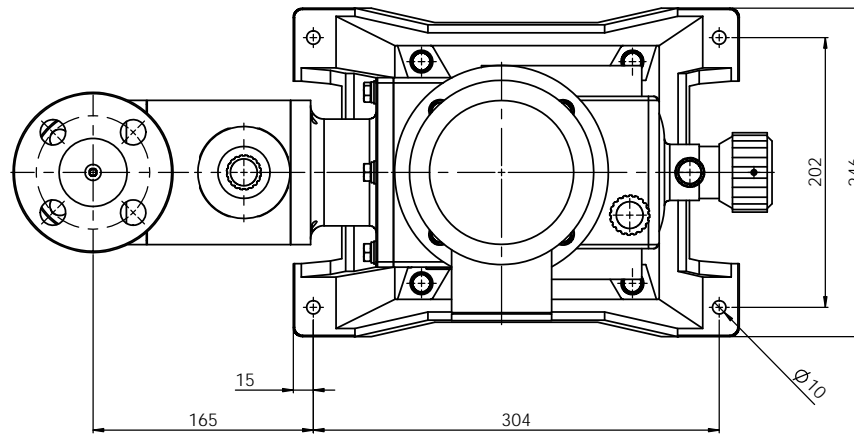
**Note**  
 1. Model : JMH500  
 2. Material : PP / PVdF / PTFE  
 3. Connection : Flange

PUMP ASSEMBLY SPECIFIED DIMENSIONS ARE IN MILLIMETERS				SCALE AND BREAK SHARP EDGES		DO NOT SCALE DRAWING		REVISION	
DATE	DATE	DATE	DATE	DATE	DATE	DATE	DATE	DATE	DATE
DESIGNER	W. PARK	2018.02.21							
CHECKER	W. PARK	2018.02.21							
APPROVED	S.C. KIM	2018.02.22							
REVISION									
MATERIAL				PVC		DRAWING NO.		P1018E1004A	
SCALE 1:1				SHEET 1 OF 1					

E-WHA CHEMICAL FEEDER CO., LTD.

PUMP ASSEMBLY-DIM  
 JMH500PCF-KS 10K 15A-0.4KW

A1



**Note**  
 1. Model : JMH500  
 2. Material : Stainless steel  
 3. Connection : Flange

ALL DIMENSIONS SPECIFIED UNLESS OTHERWISE SPECIFIED DIMENSIONS ARE IN MILLIMETERS TOLERANCES: FINISH: ANGULAR		FINISH:	SURFACE AND BREAK SHARP EDGES	DO NOT SCALE DRAWING	REVISION
DRAWN: W. PAK CHECK: W. PAK APPROV: S.C. KHA DATE: 2020.02.21 DATE: 2020.02.21 DATE: 2020.02.21	TITLE: PUMP ASSEMBLY-DIM JMH500S4S4F-10K 15A/63K 15A-0.4KW	MATERIAL: SUS304	DWG NO: P1200E1004A	SHEET NO: 1 OF 1	SCALE: 1:1