

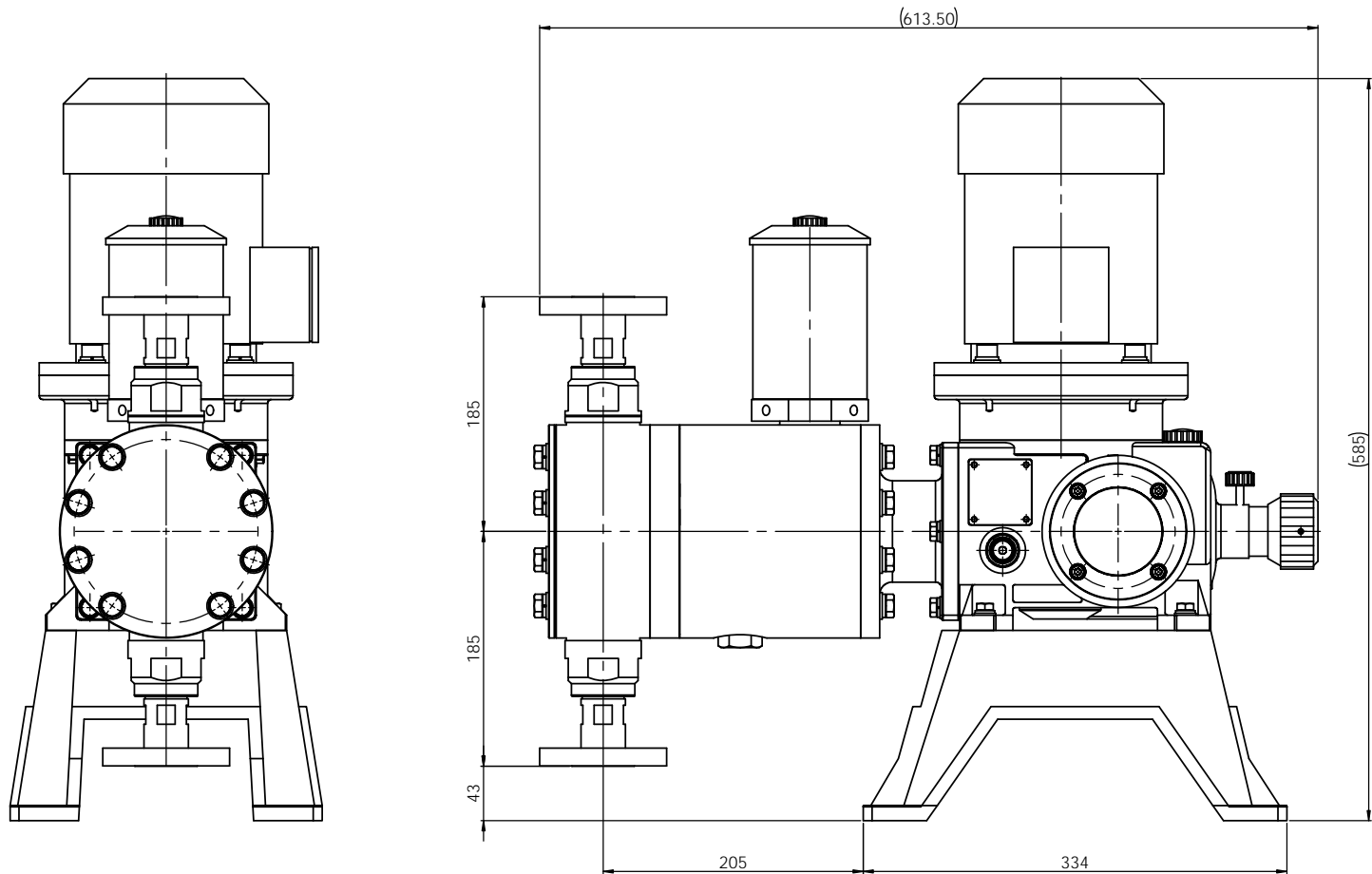
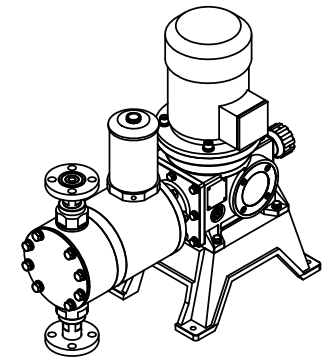
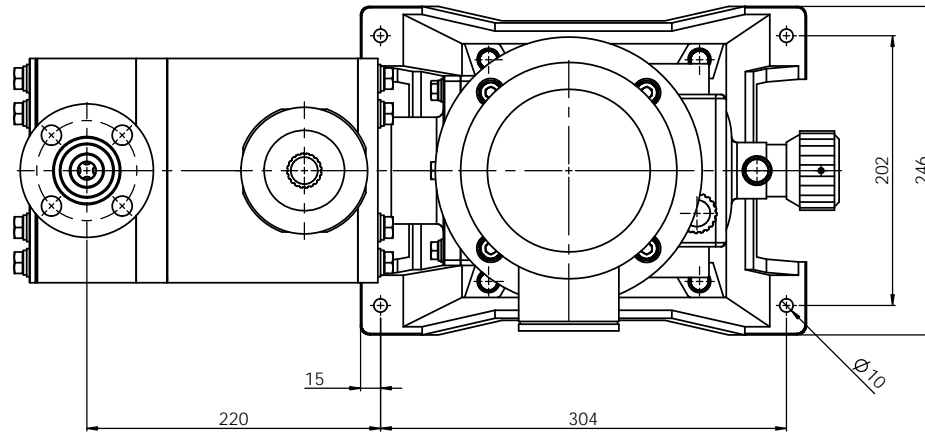
**Note**  
 1. Model : JMH5000  
 2. Material : PP / PVdF / PTFE  
 3. Connection : Flange

|   |      |          |      |                             |  |                      |  |             |  |
|---|------|----------|------|-----------------------------|--|----------------------|--|-------------|--|
| PANELS CONTAINED SPECIFIED DIMENSIONS ARE IN MILLIMETERS UNLESS OTHERWISE SPECIFIED |      | UNITS    |      | SCALE AND BREAK SHARP EDGES |  | DO NOT SCALE DRAWING |  | REVISION    |  |
| DRAWN   | DATE | DESIGNED | DATE |                             |  |                      |  |             |  |
| CHECKED   | DATE |          |      |                             |  |                      |  |             |  |
| APPROVED  | DATE |          |      |                             |  |                      |  |             |  |
| MATERIAL  |      |          |      | SPEC. NO.                   |  | PVC                  |  | P1018E1011B |  |
| SCALE 1:1   |      |          |      | SHEET 1 OF 1                |  |                      |  |             |  |

E-WHA CHEMICAL FEEDER CO., LTD.

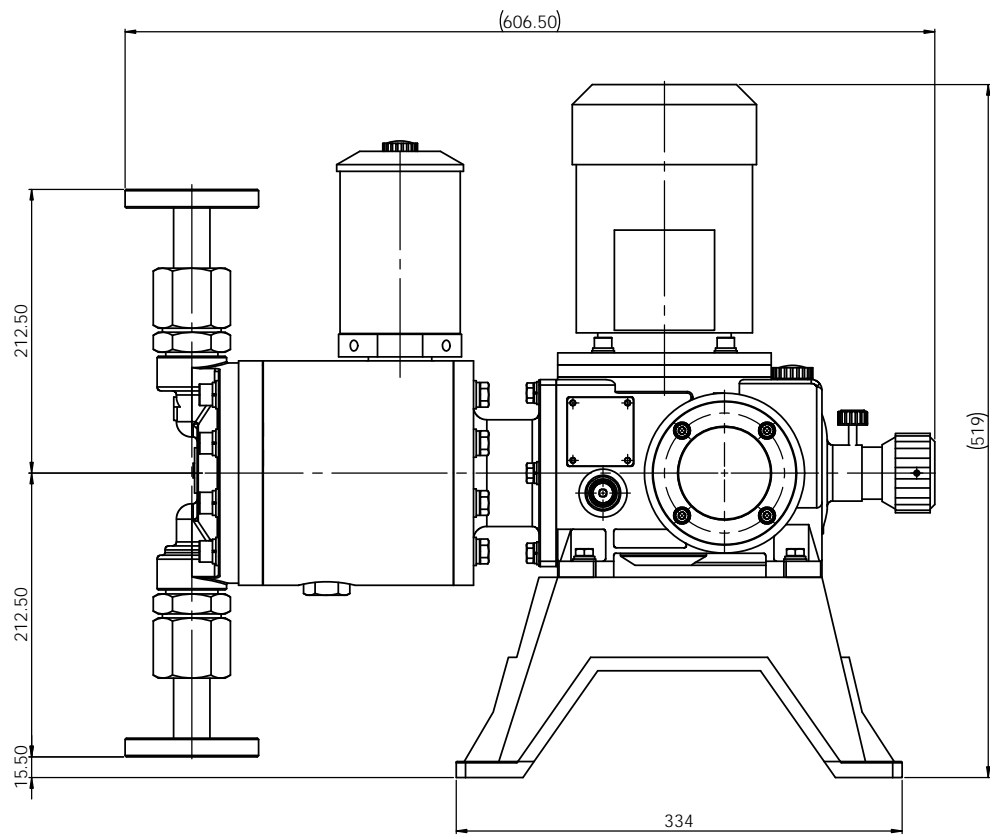
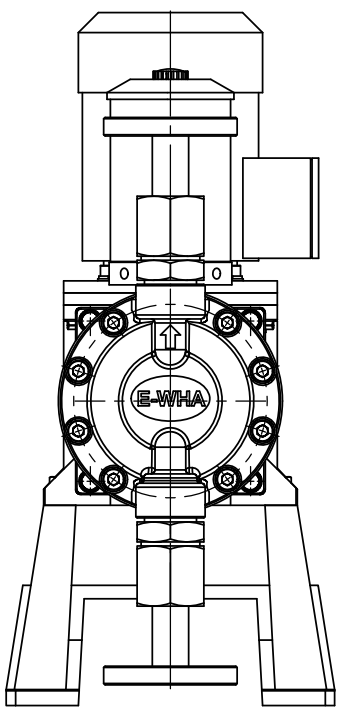
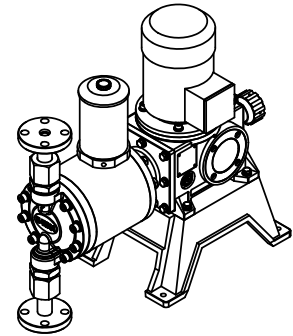
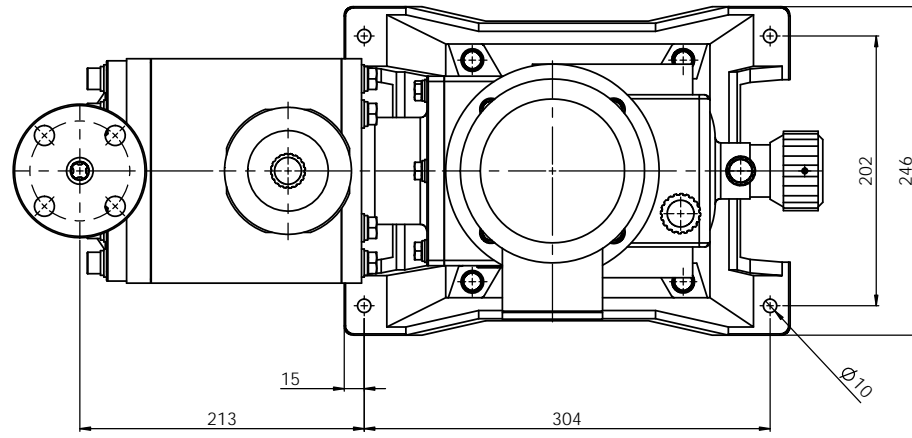
PUMP ASSEMBLY-DIM  
 JMH6000PCF-KS 10K 20A-0.4kW

A1



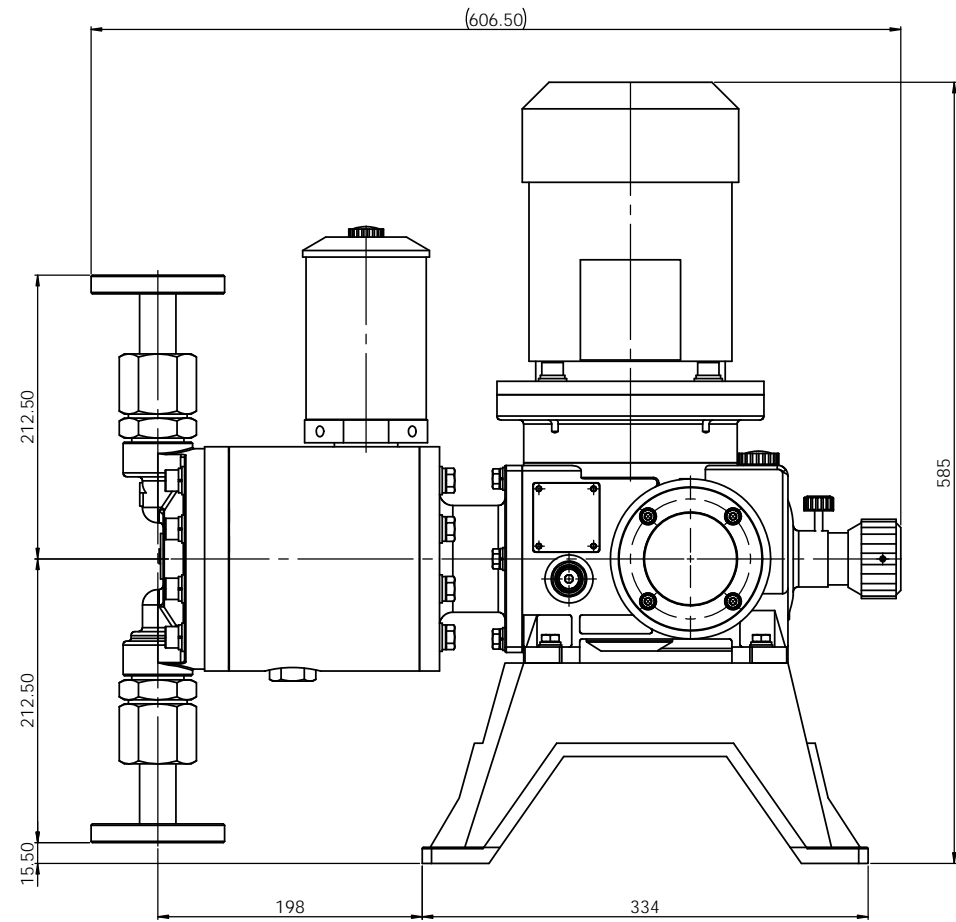
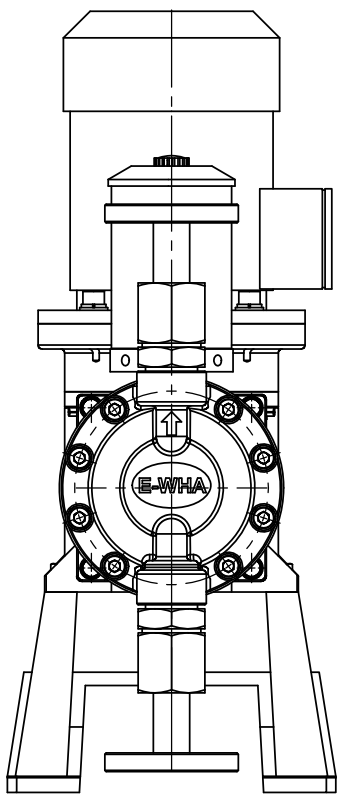
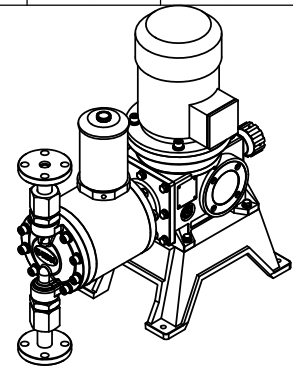
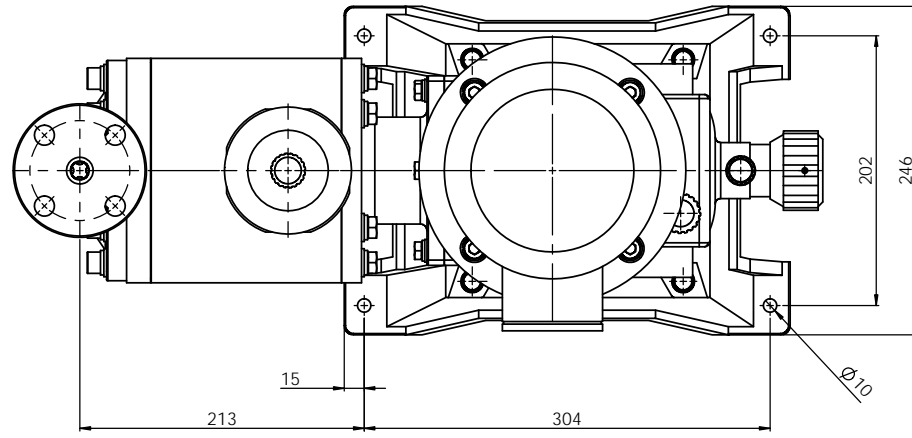
**Note**  
 1. Model : JMH5000  
 2. Material : PP / PVdF / PTFE  
 3. Connection : Flange

| PUMP ASSEMBLY-DIM |     |    |             | E-WHA CHEMICAL FEEDER CO., LTD. |     |
|-------------------|-----|----|-------------|---------------------------------|-----|
| DATE              | REV | BY | CHK         | DATE                            | REV |
| 2020.02.21        |     |    |             |                                 |     |
| 2020.02.21        |     |    |             |                                 |     |
| 2020.02.22        |     |    |             |                                 |     |
| MATERIAL          |     |    | PVC         |                                 |     |
| DRAWING NO.       |     |    | P1019E1011B |                                 |     |
| SCALE             |     |    | 1:1         |                                 |     |
| SHEET NO.         |     |    | 1 OF 1      |                                 |     |



**Note**  
 1. Model : JMH5000  
 2. Material : Stainless steel  
 3. Connection : Flange

|   |                                   |   |  |                                |
|---|-----------------------------------|---|--|--------------------------------|
| <small>ALL DIMENSIONS SPECIFIED UNLESS OTHERWISE SPECIFIED DIMENSIONS ARE IN MILLIMETERS UNLESS INDICATED OTHERWISE</small> |                                   | <small>FINISH</small><br>BRASS AND BRASS SHARP ENDS | <small>DO NOT SCALE DRAWING</small>      | <small>REVISION</small>        |
| <small>DATE</small><br>2020.02.22   |                                   | <small>SCALE</small><br>1:1                         | <b>E-WHA CHEMICAL FEEDER CO., LTD.</b>   |                                |
| <small>DRAWN</small><br>W. PARK   | <small>DATE</small><br>2020.02.22 | <small>SCALE</small><br>1:1                         | <small>REV.</small><br>PUMP ASSEMBLY-DIM |                                |
| <small>CHECK</small><br>W. PARK   | <small>DATE</small><br>2020.02.22 | <small>SCALE</small><br>1:1                         | JMH6000S4S4F-10K 15A/10K 20A-0.4kW       |                                |
| <small>APPROV</small><br>S.C. KIM   | <small>DATE</small><br>2020.02.22 | <small>SCALE</small><br>1:1                         | <small>ENG. NO.</small><br>P1200E1011B   |                                |
| <small>DATE</small><br>2020.02.22   | <small>SCALE</small><br>1:1       | <small>MATERIAL</small><br>SUS304                   | <small>SCALE</small><br>1:1              | <small>SHEET</small><br>1 OF 1 |



**Note**  
 1. Model : JMH5000  
 2. Material : Stainless steel  
 3. Connection : Flange

|   |    |                             |    |                      |    |          |    |
|---|----|-----------------------------|----|----------------------|----|----------|----|
| ALL DIMENSIONS SPECIFIED UNLESS OTHERWISE SPECIFIED DIMENSIONS ARE IN MILLIMETERS |    | SCALE AND BREAK SHARP EDGES |    | DO NOT SCALE DRAWING |    | REVISION |    |
| DATE  | BY | DATE                        | BY | DATE                 | BY | DATE     | BY |
| 2023.02.21  |    | 2023.02.21                  |    |                      |    |          |    |
| 2023.02.21  |    | 2023.02.21                  |    |                      |    |          |    |
| 2023.02.21  |    | 2023.02.21                  |    |                      |    |          |    |
| MATERIAL  |    |                             |    | SUS304               |    |          |    |
| DRAWING NO.   |    |                             |    | P1201E1011B          |    |          |    |
| SCALE 1:1   |    |                             |    | SHEET 1 OF 1         |    |          |    |

E-WHA CHEMICAL FEEDER CO., LTD.

PUMP ASSEMBLY-DIM  
 JMH6000S454F-10K 15A/16K 20A-0.75KW