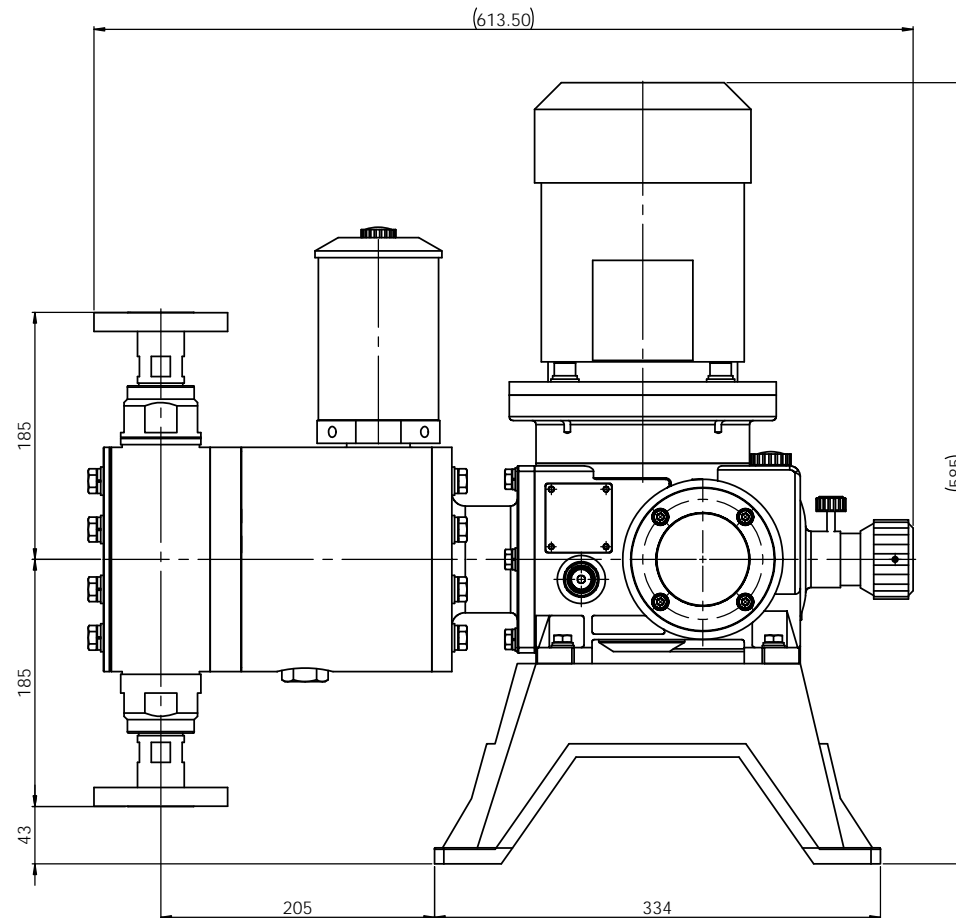
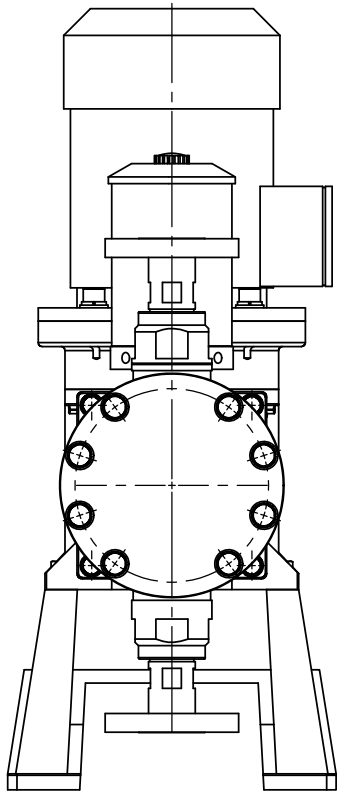
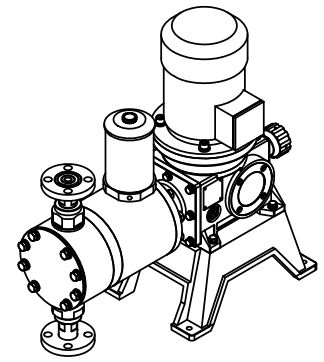
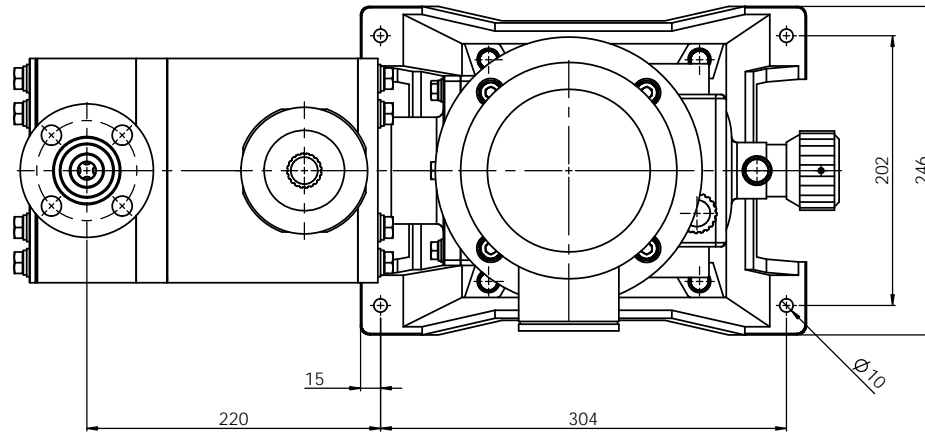


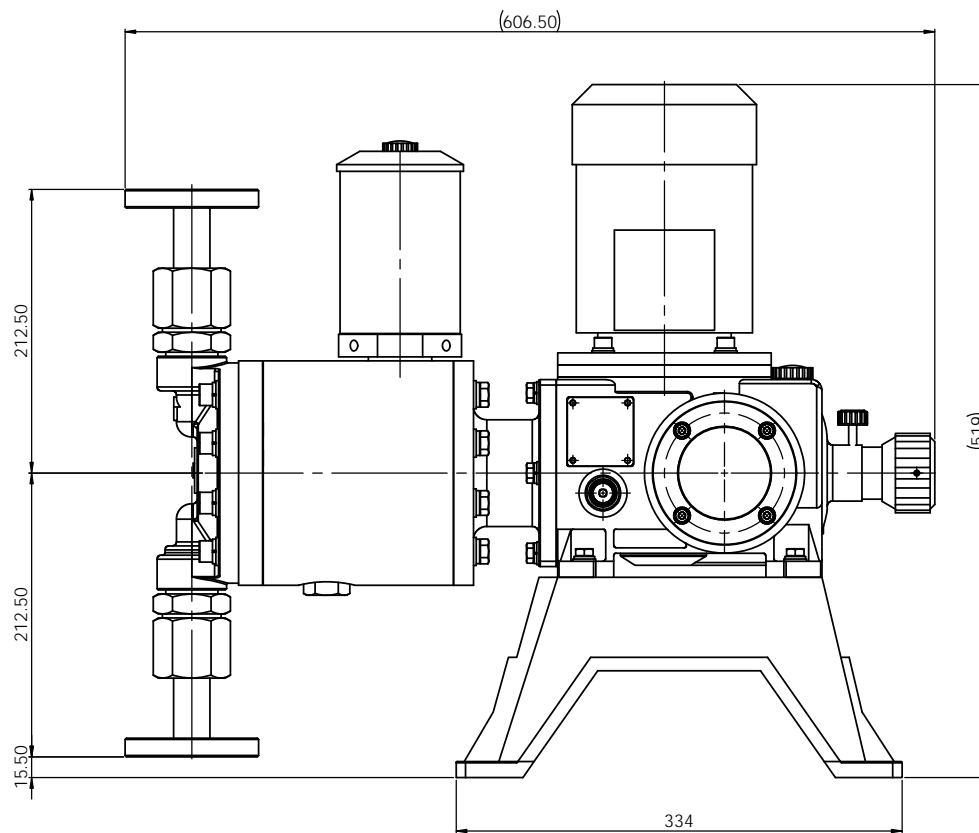
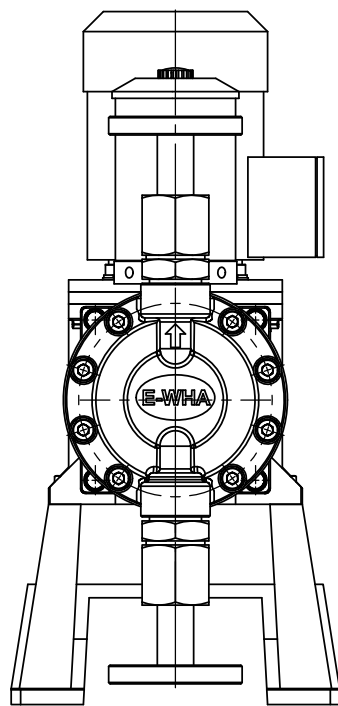
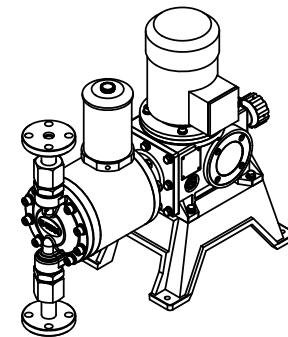
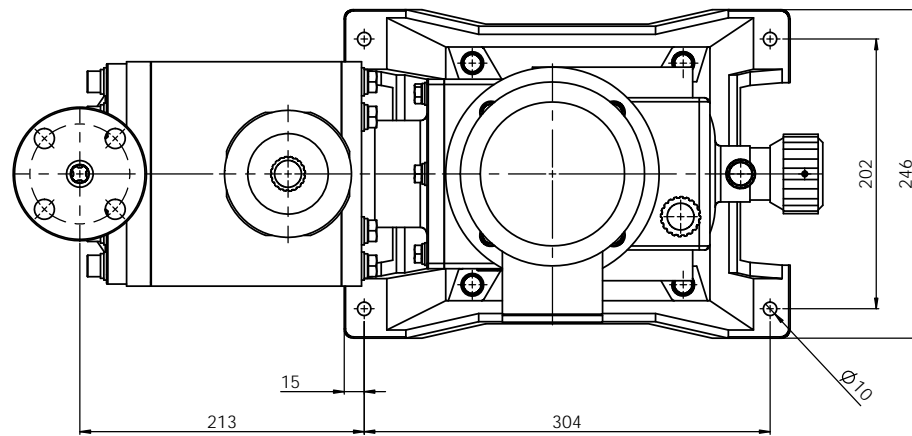
Note
 1. Model : JMH6000
 2. Material : PP / PVdF / PTFE
 3. Connection : Flange

PUMP ASSEMBLY-DIM		SCALE AND BREAK SHARP EDGES		DO NOT SCALE DRAWING		REVISION	
DRAWN: W. PARK		DATE: 2020.02.21		MATERIAL: PVC		E-WHA CHEMICAL FEEDER CO., LTD.	
CHECKED: W. PARK		DATE: 2020.02.21		DRAWING NO: P1018E1011B		REV: 1	
APPROVED: S.C. KIM		DATE: 2020.02.22		SHEET NO: 1		TOTAL SHEETS: 1	
SPEC: JMH6000		MATERIAL: PVC		DRAWING NO: P1018E1011B		SHEET 1 OF 1	



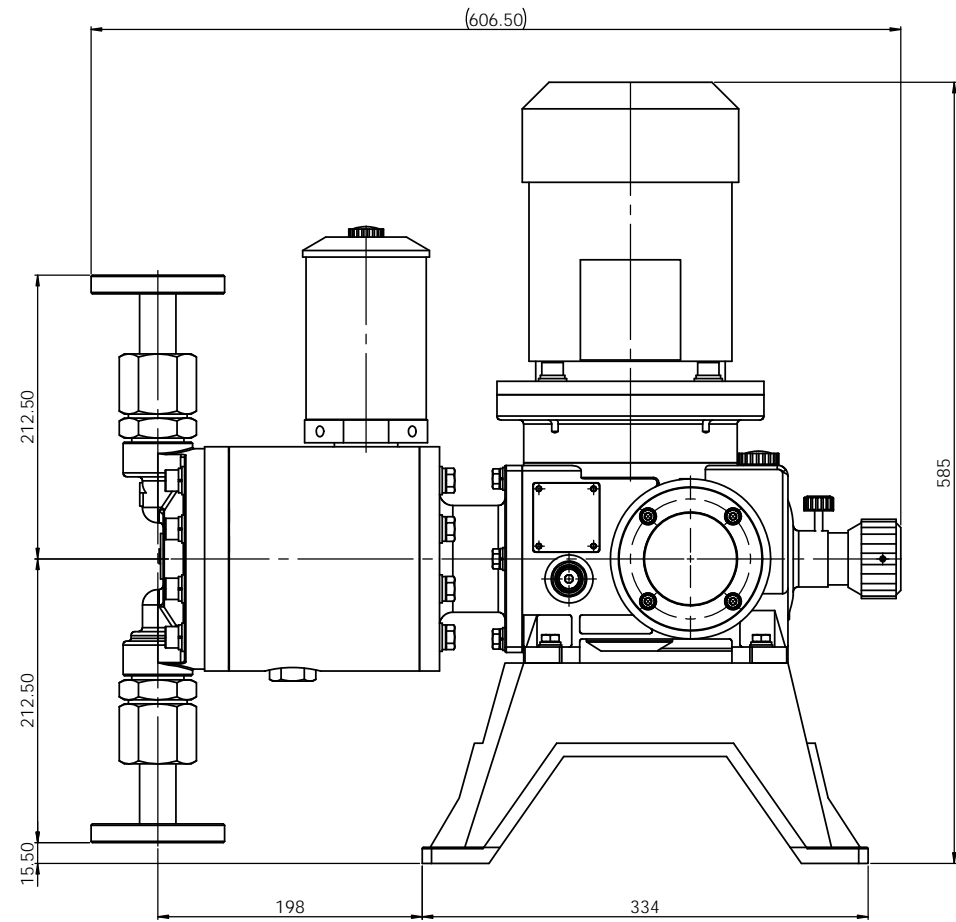
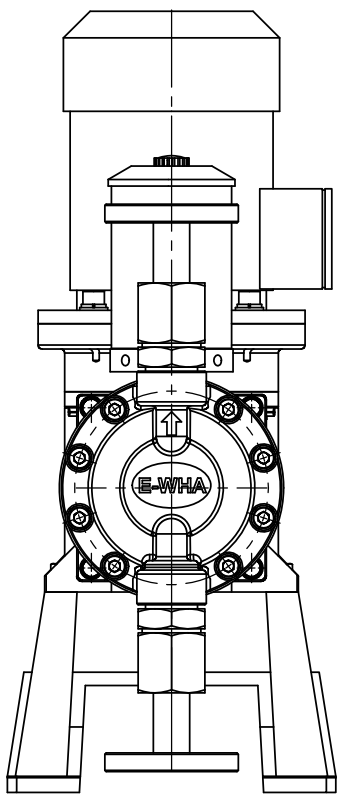
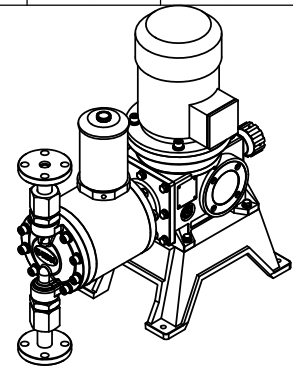
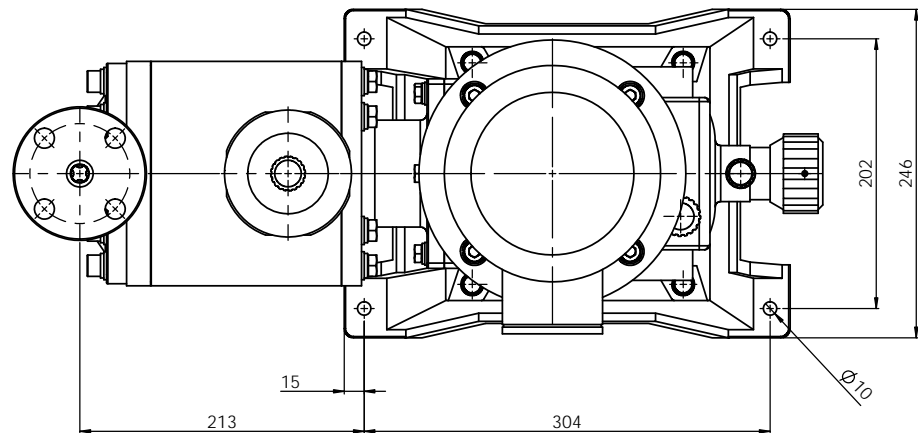
Note
 1. Model : JMH6000
 2. Material : PP / PVdF / PTFE
 3. Connection : Flange

PUMP ASSEMBLY-DIM				E-WHA CHEMICAL FEEDER CO., LTD.	
DATE	REV	BY	CHK	SCALE	SHEET
2020.02.21					1
2020.02.21					1
2020.02.21					1
2020.02.21					1
MATERIAL				PVC	
DIM. NO.				P1019E1011B	
SCALE				1:1	



Note
 1. Model : JMH6000
 2. Material : Stainless steel
 3. Connection : Flange

ALL DIMENSIONS SPECIFIED UNLESS OTHERWISE SPECIFIED DIMENSIONS ARE IN MILLIMETERS UNLESS INDICATED OTHERWISE		FINISH		TOLERANCE AND BREAK SHARP EDGES		DO NOT SCALE DRAWING		REVISION	
DATE	BY	DATE	BY	DATE	BY	E-WHA CHEMICAL FEEDER CO., LTD.			
2024.02.21	W. PAK	2024.02.21	W. PAK	2024.02.21	W. PAK	PUMP ASSEMBLY-DIM			
2024.02.21	S.C. KHA	2024.02.21	S.C. KHA	2024.02.21	S.C. KHA	JMH6000S4S4F-10K 15A/10K 20A-0.4KW			
MATERIAL		SUS304		DWG NO.		P1200E1011B		A1	
SCALE 1:1		SHEET 1 OF 1		REVISION					



Note
 1. Model : JMH6000
 2. Material : Stainless steel
 3. Connection : Flange

ALL DIMENSIONS SPECIFIED UNLESS OTHERWISE SPECIFIED DIMENSIONS ARE IN MILLIMETERS TOLERANCES UNLESS SPECIFIED: ANGULAR ±0.5°		FINISH BRASS AND BRASS SHARP ENDS	DO NOT SCALE DRAWING REVISION
DRAWN: W. PARK CHECK: W. PARK APPROV: S.C. KIM DATE: 2020.02.21 DATE: 2020.02.21 DATE: 2020.02.22	DESIGNED: W. PARK DATE: 2020.02.21	MATERIAL: SUS304	E-WHA CHEMICAL FEEDER CO., LTD. PUMP ASSEMBLY-DIM JMH6000S454F-10K 15A/16K 20A-0.75KW SHEET NO. P1201E1011B SCALE 1:1 SHEET 1 OF 1