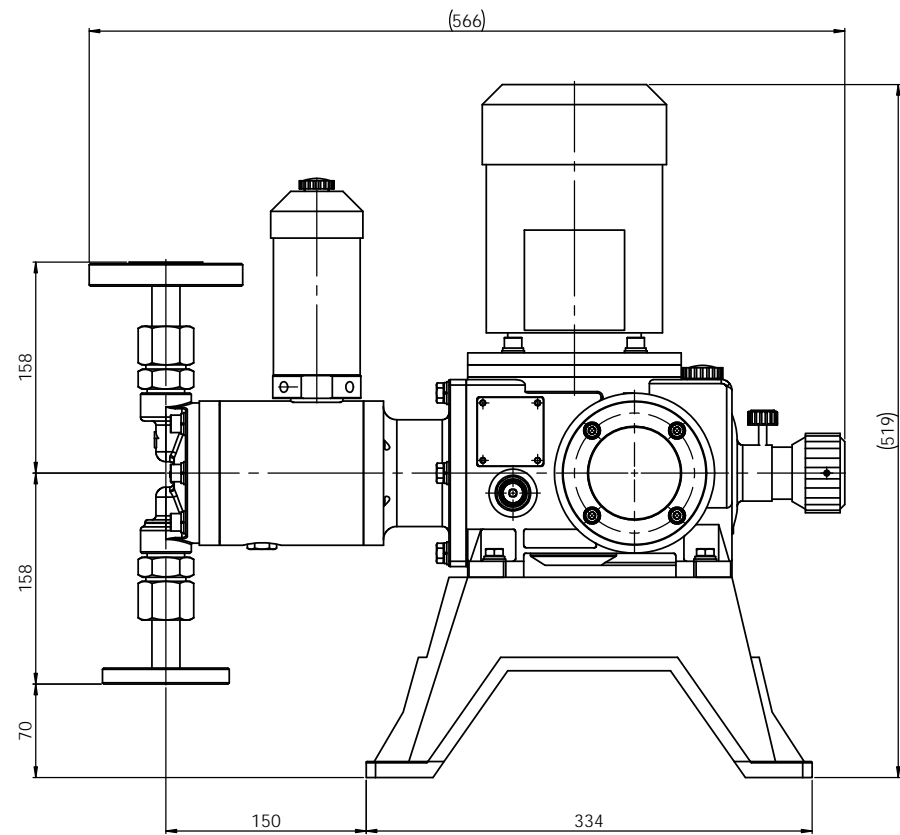
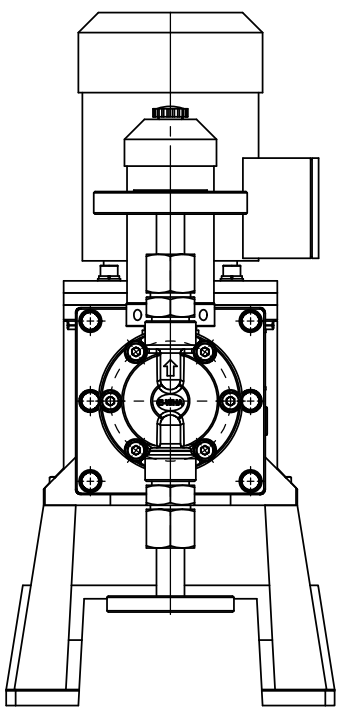
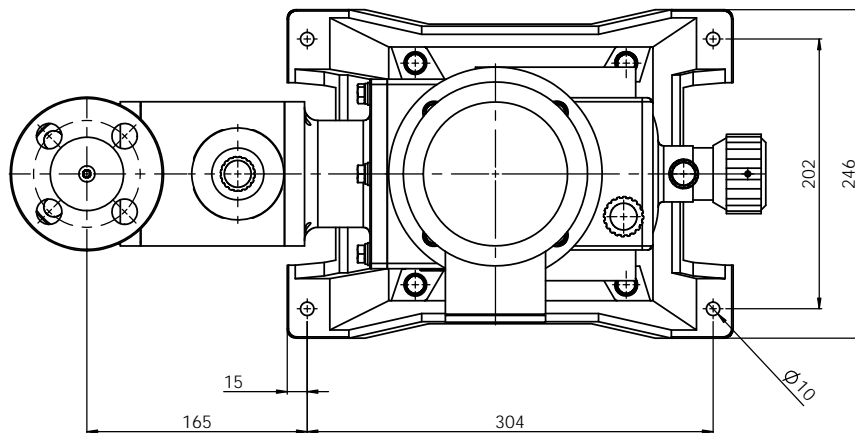
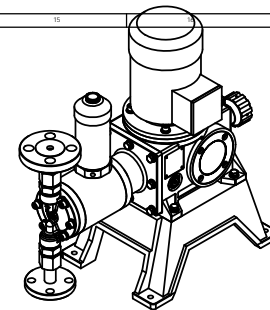


Note
 1. Model : JMH700
 2. Material : PP / PVdF / PTFE
 3. Connection : Flange

PUMP ASSEMBLY-DIM				E-WHA CHEMICAL FEEDER CO., LTD.	
DATE	REV	BY	CHK	DATE	REV
2020.02.21					
2020.02.21					
2020.02.22					
MATERIAL			PVC		
DRAWING NO.			P1018E1005A		
SCALE			1:1		
SHEET			1 OF 1		



Note
 1. Model : JM700
 2. Material : Stainless steel
 3. Connection : Flange

ALL DIMENSIONS SPECIFIED UNLESS OTHERWISE SPECIFIED DIMENSIONS ARE IN MILLIMETERS TOLERANCES: FINISH: H9/D9 ANGULAR:			FINISH: BRUSH BRUSH GRAB POLISH	DO NOT SCALE DRAWING REVISION:
DRAWN: W. PARK CHECK: W. PARK APPROV: S.C. KIM DATE: 2020.02.21 DATE: 2020.02.21 DATE: 2020.02.22	DESIGNED: W. PARK DATE: 2020.02.21	MATERIAL: SUS304	PART NO: P1200E1005A	SHEET 1 OF 1