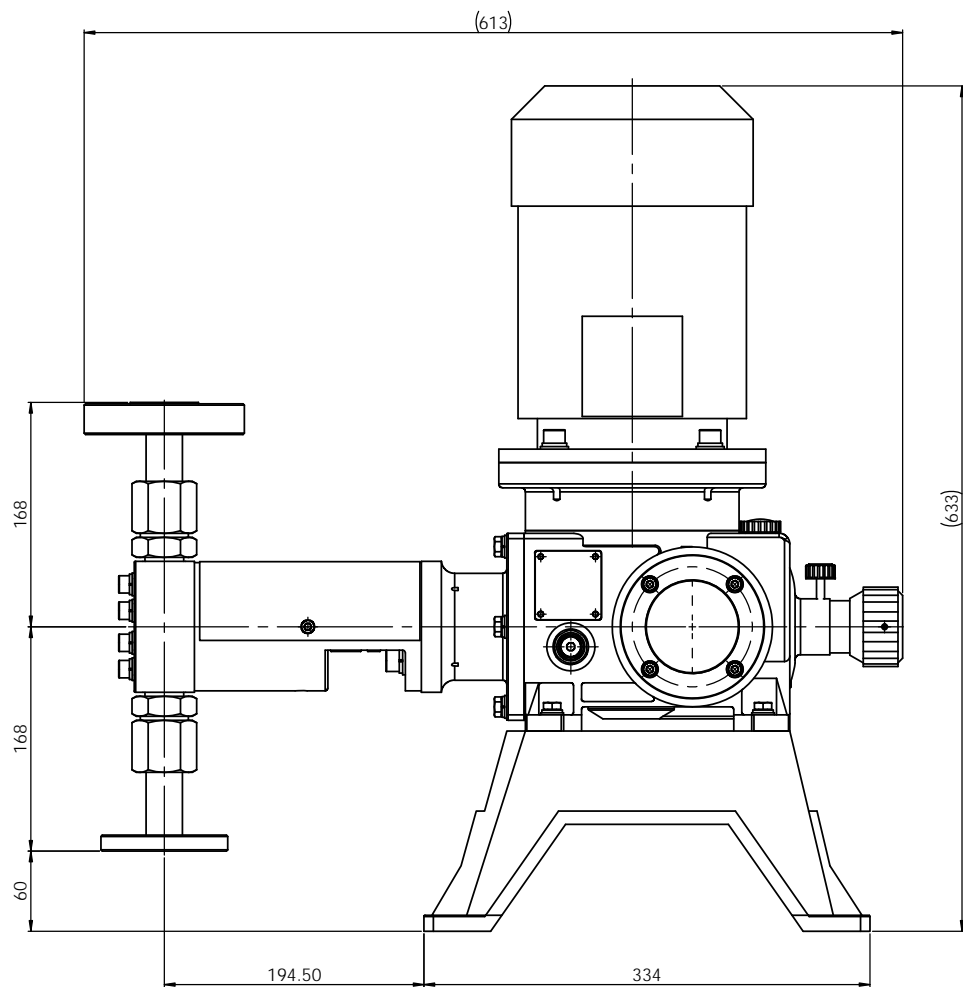
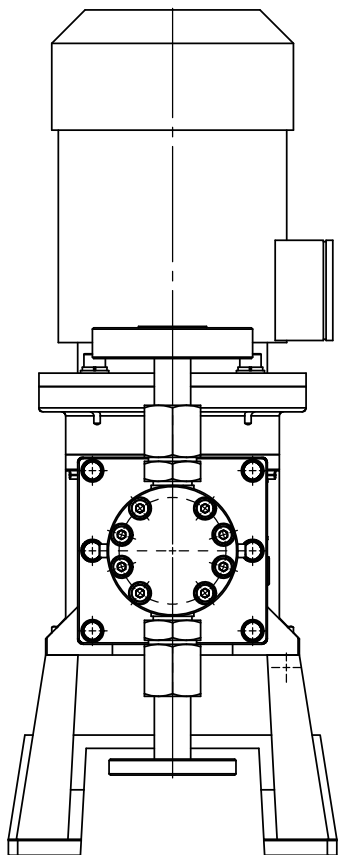
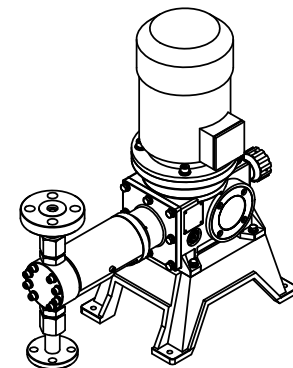
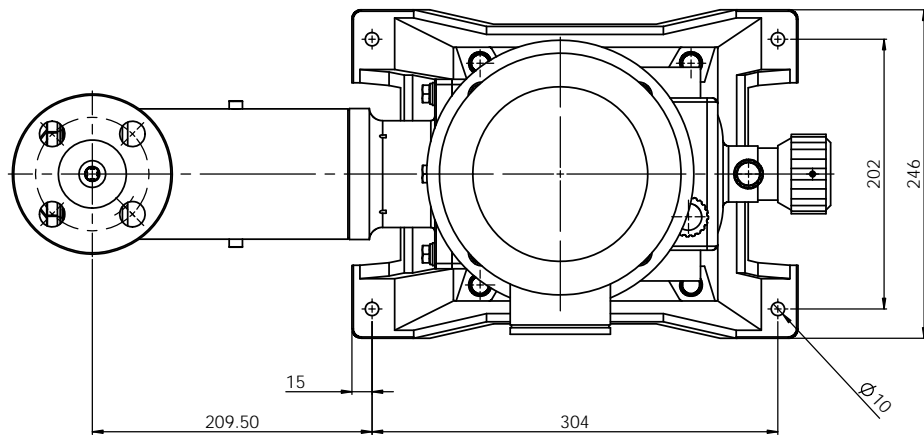


ALL DIMENSIONS SPECIFIED UNLESS OTHERWISE SPECIFIED DIMENSIONS ARE IN MILLIMETERS TOLERANCES: HORIZONTAL ANGULAR		FINISH BRASS AND BRASS SHARP EDGE	DO NOT SCALE DRAWING REVISION
DRAWN: W. PARK CHECK: W. PARK APPROV: S.C. KIM DATE: 2010.12.10 DATE: 2010.12.10 DATE: 2010.12.10	TITLE PUMP ASSEMBLY-DIM JMP1000S4S4F-10K 15A/20K 15A-0.4kW	MATERIAL SUS304	DWG NO. W1000E1009A
SCALE 1:1		SHEET 1 OF 1	A1



ALL DIMENSIONS SPECIFIED UNLESS OTHERWISE SPECIFIED DIMENSIONS ARE IN MILLIMETERS TOLERANCES: HORIZONTAL ANGULAR		FINISH: BRASS AND BRASS GRIP STEEL	DO NOT SCALE DRAWING REVISION
DRAWN: W. PARK CHECK: W. PARK APPROV: S.C. KIM DATE: 2010.12.10 DATE: 2010.12.10 DATE: 2010.12.10	NAME: JONGWON DATE:	TITLE: PUMP ASSEMBLY-DIM JMP1000S454F-10K 15A/63K 15A-1.5kW	REVISION
Dwg. No.	Material: SUS304	Dwg. No. W1002E1009A	A1
Scale: 1:1	Sheet: 1 of 1	Date:	Drawn: