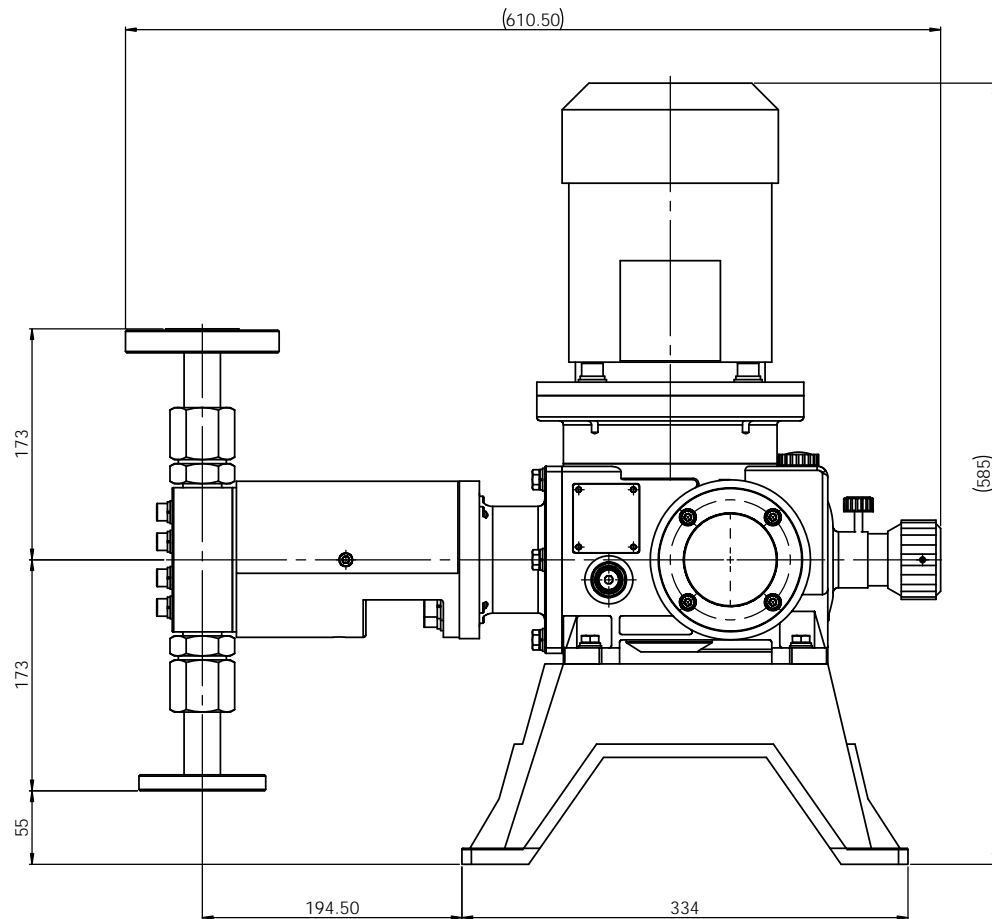
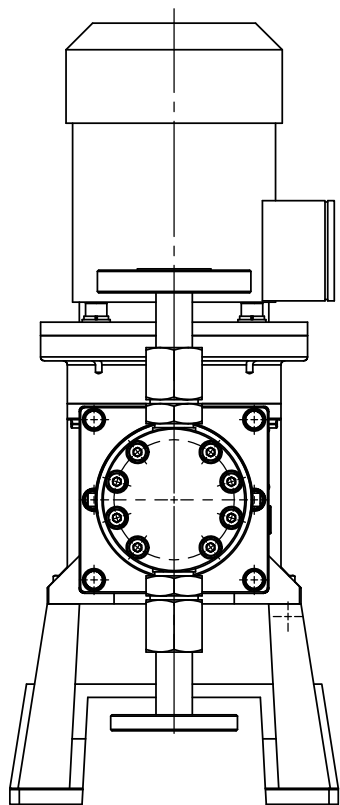
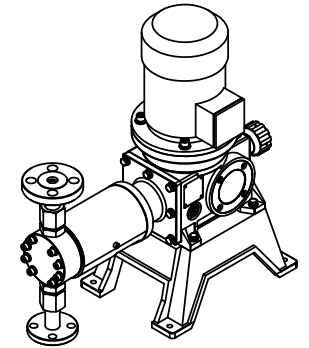
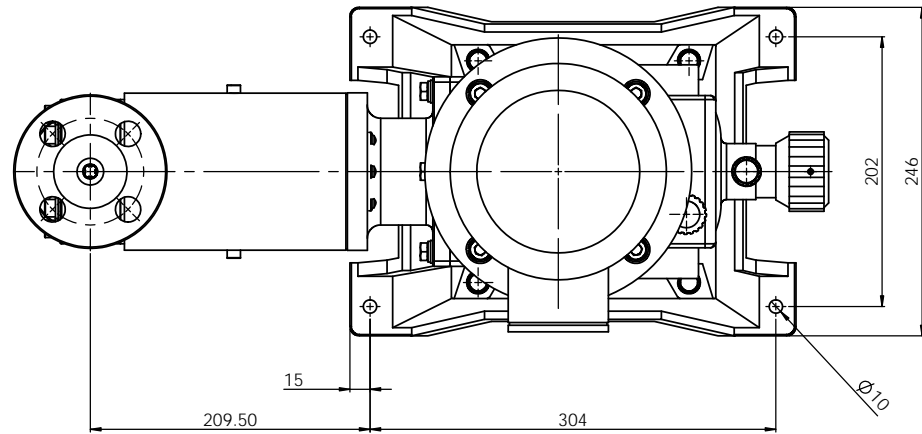
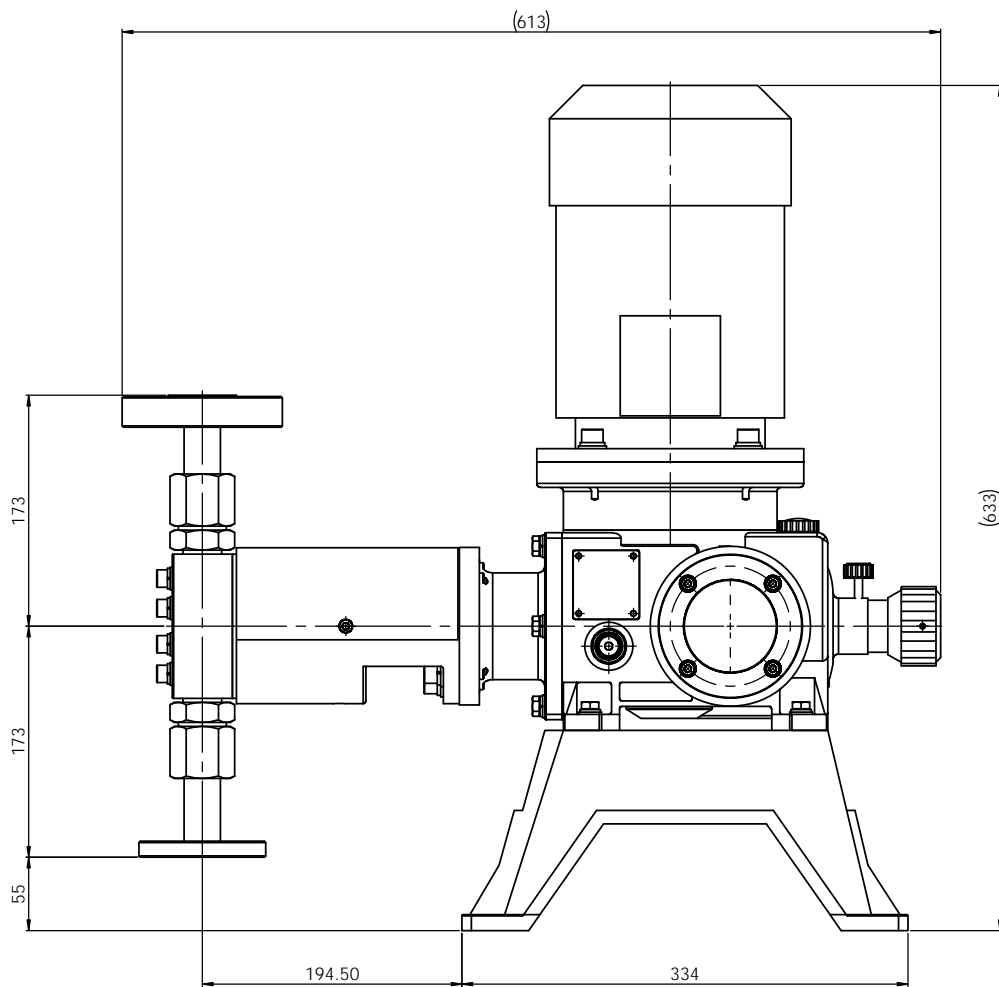
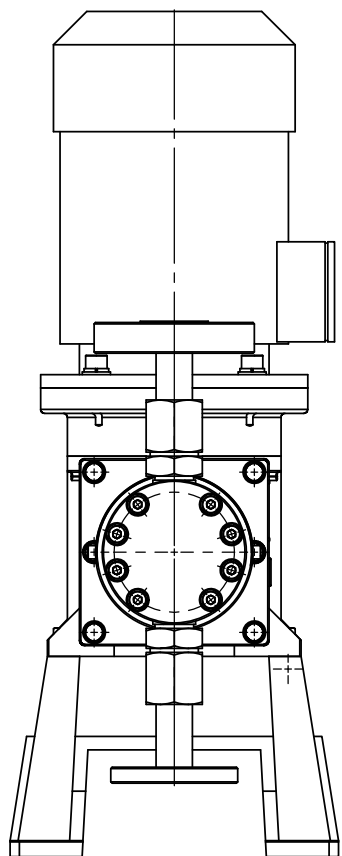
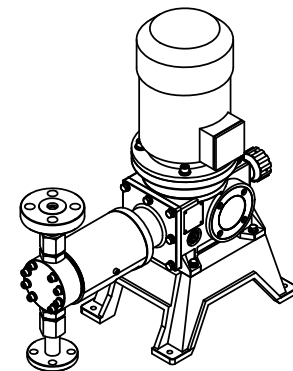
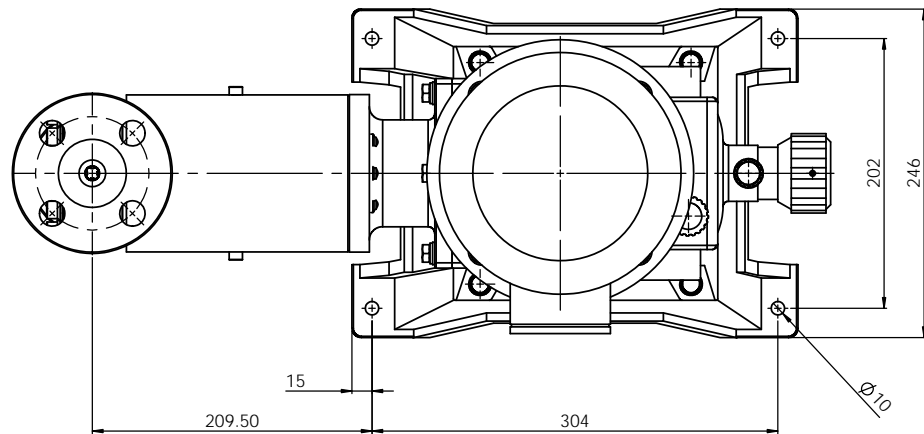


ALL DIMENSIONS SPECIFIED UNLESS OTHERWISE SPECIFIED DIMENSIONS ARE IN MILLIMETERS TOLERANCES: HORIZONTAL ANGULAR		FINISH BRASS AND BRASS SHARP EDGE	DO NOT SCALE DRAWING REVISION
DRAWN: W. PARK CHECK: W. PARK APPROV: S.C. KIM DATE: 2010.12.10 DATE: 2010.12.10 DATE: 2010.12.10	NAME: W1000E1010A DATE: 2010.12.10	TITLE: PUMP ASSEMBLY-DIM JMP2000S4S4F-10K 15A/20K 15A-0.4kW	SHEET NO. A1 SHEET 1 OF 1
E-Wha Chemical Feeder Co., Ltd.		MATERIAL: SUS304	SCALE: 1:1



ALL DIMENSIONS SPECIFIED UNLESS OTHERWISE SPECIFIED DIMENSIONS ARE IN MILLIMETERS SURFACE FINISH UNLESS OTHERWISE SPECIFIED		FINISH BRASS AND BRASS SHARP EDGE	DO NOT SCALE DRAWING REVISION
DRAWN W. PARK 2010.12.10	CHECKED W. PARK 2010.12.10	DATE 2010.12.10	E-WHA CHEMICAL FEEDER CO., LTD.
REVISED S.C. KIM 2010.12.10	DATE 2010.12.10	PUMP ASSEMBLY-DIM JMP2000S4S4F-10K 15A/30K 15A-0.75kW	REVISION
D.L.A.	MATERIAL SUS304	DWG. NO. W1001E1010A	SHEET 1 OF 1
SCALE 1:1	REQUIR.	SCALE 1:1	SHEET 1 OF 1



ALL DIMENSIONS SPECIFIED UNLESS OTHERWISE SPECIFIED DIMENSIONS ARE IN MILLIMETERS		FINISH AND BEVEL SHARP EDGES		DO NOT SCALE DRAWING		REVISION	
TOLERANCES UNLESS OTHERWISE SPECIFIED		FINISH		E-WHA CHEMICAL FEEDER CO., LTD.		REV.	
DATE	BY	DATE	BY	PUMP ASSEMBLY-DIM		JMP20005454F-10K 15A/30K 15A-1.5kW	
2023.12.10	W.PARK	2023.12.10	W.PARK	SUS304		W1002E1010A	
2023.12.10	W.PARK	2023.12.10	W.PARK	SCALE 1:1		SHEET 1 OF 1	
2023.12.10	S.C. KIM	2023.12.10	S.C. KIM	MATERIAL		DWG NO.	
				SUS304		W1002E1010A	
				FINISH		SCALE 1:1	
				REVISION		SHEET 1 OF 1	