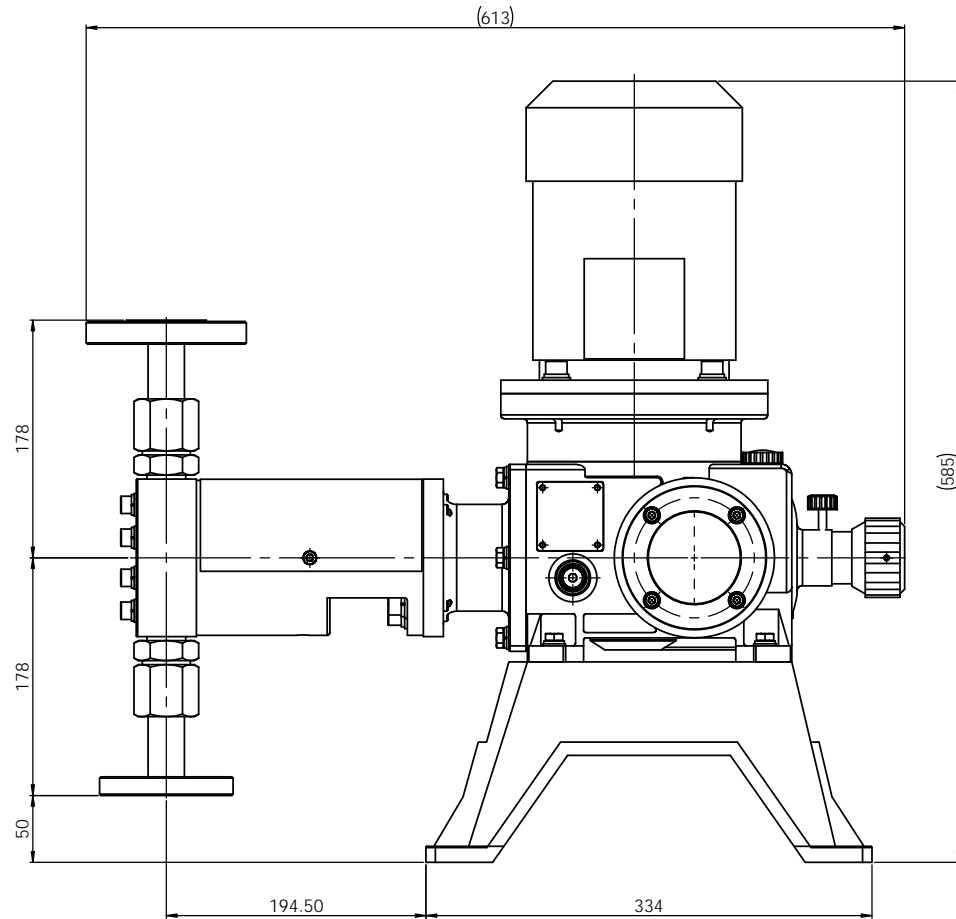
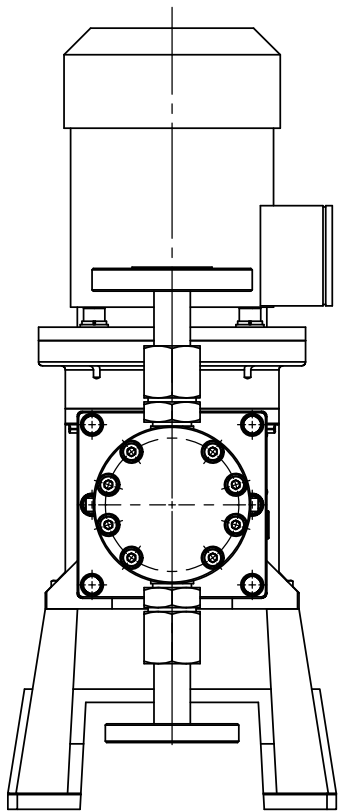
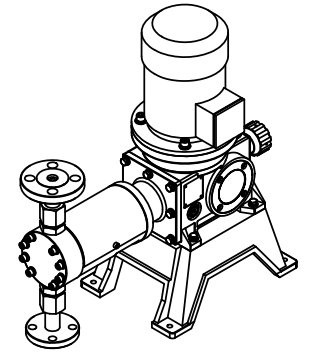
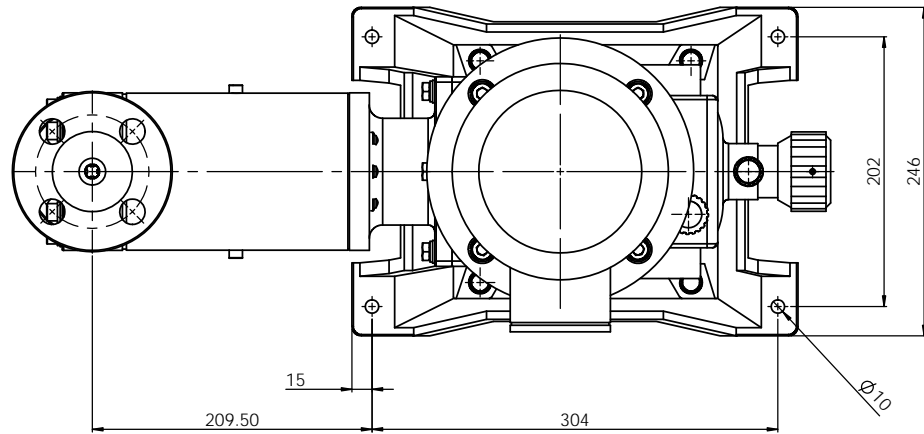
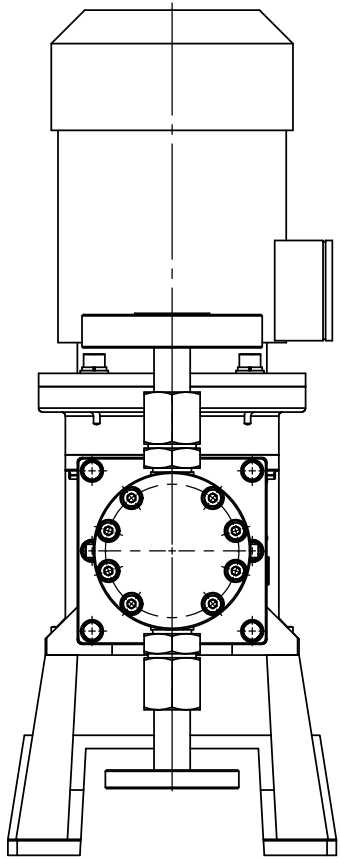
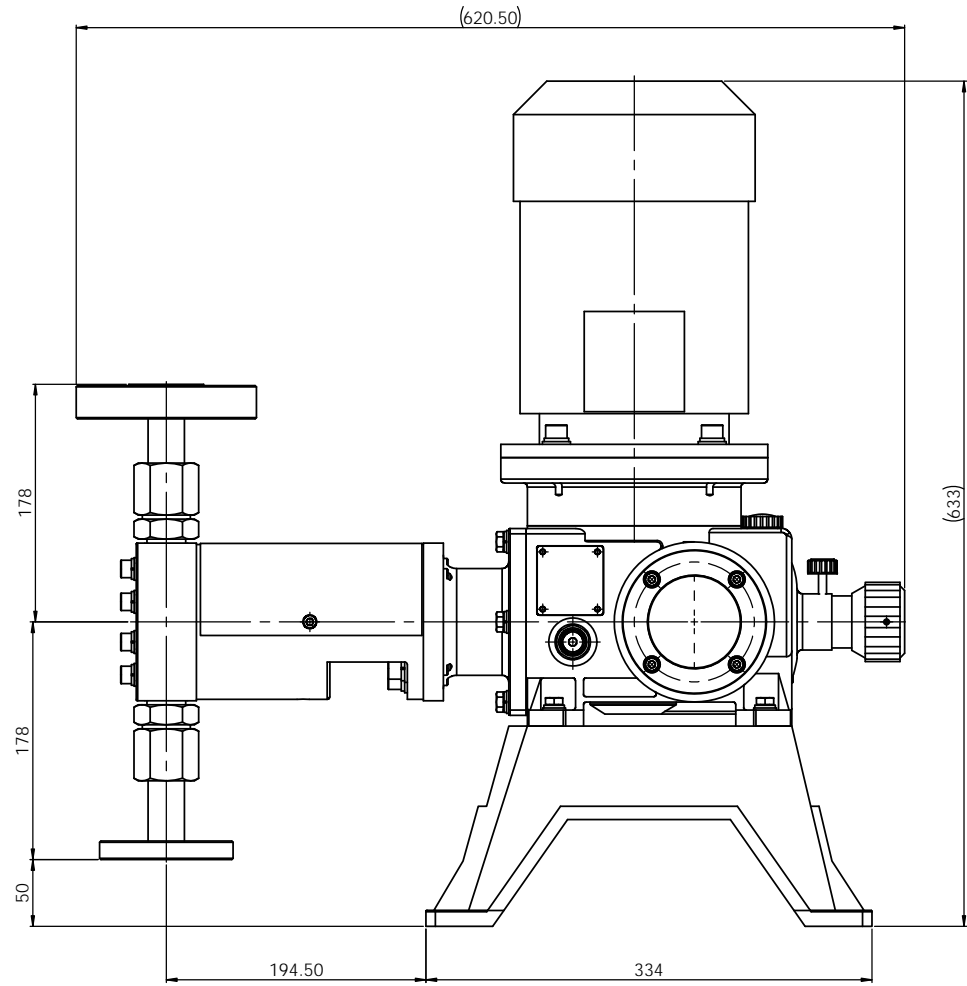
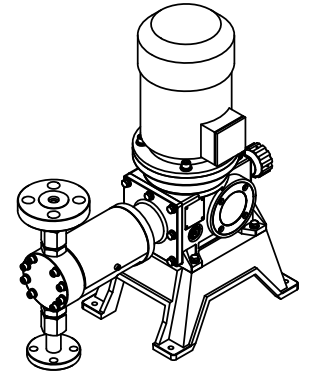
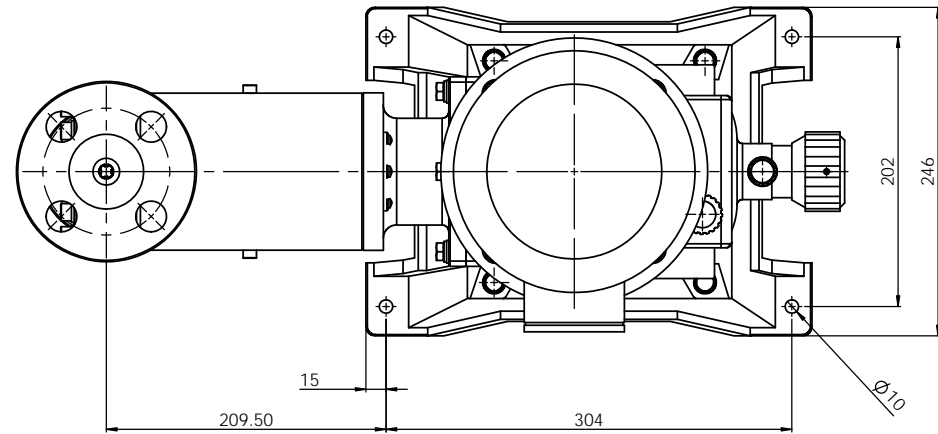


ALL DIMENSIONS SPECIFIED UNLESS OTHERWISE SPECIFIED DIMENSIONS ARE IN MILLIMETERS TOLERANCES: HORIZONTAL ANGULAR		FINISH BRASS AND BRASS SHARP EDGE	DO NOT SCALE DRAWING REVISION
DRAWN: W. PARK CHECK: W. PARK APPROV: S.C. KIM DATE: 2010.12.10 DATE: 2010.12.10 DATE: 2010.12.10	TITLE <b>PUMP ASSEMBLY-DIM</b> JMP3000S4S4F-10K 15A/20K 20A-0.4kW	MATERIAL <b>SUS304</b>	DWG. NO. <b>W1000E1011B</b>
SCALE 1:1		SHEET 1 OF 1	A1



ALL DIMENSIONS SPECIFIED UNLESS OTHERWISE SPECIFIED DIMENSIONS ARE IN MILLIMETERS TOLERANCES: FINISH: ANGULAR			FINISH AND BREAK SHARP EDGES			DO NOT SCALE DRAWING		REVISION
DRAWN: W. PARK	DATE: 2010.12.10	CHECKED: W. PARK	DATE: 2010.12.10	APPROVED: S.C. KIM	DATE: 2010.12.10	TITLE: <b>PUMP ASSEMBLY-DIM</b> JMP3000S4S4F-10K 20A/30K 20A-0.75KW		
MATERIAL: <b>SUS304</b>						DWG. NO.: <b>W1001E1011B</b>	SHEET: A1	
SCALE: 1:1						SHEET 1 OF 1		



ALL DIMENSIONS SPECIFIED UNLESS OTHERWISE SPECIFIED DIMENSIONS ARE IN MILLIMETERS UNLESS OTHERWISE SPECIFIED			DO NOT SCALE DRAWING			REVISION		
TOLERANCES UNLESS OTHERWISE SPECIFIED			E-WHA CHEMICAL FEEDER CO., LTD.			REV.		
DATE	BY	CHKD	DATE	BY	CHKD	PUMP ASSEMBLY-DIM		
2023.12.10	W.PARK	W.PARK	2023.12.10			JMP3000S454F-10K 20A/63K 20A-1.5kW		
2023.12.10	W.PARK	W.PARK	2023.12.10					
2023.12.10	S.C. KIM	S.C. KIM	2023.12.10					
MATERIAL: SUS304			DWG NO: W1002E1011B			A1		
SCALE: 1:1			SHEET 1 OF 1					