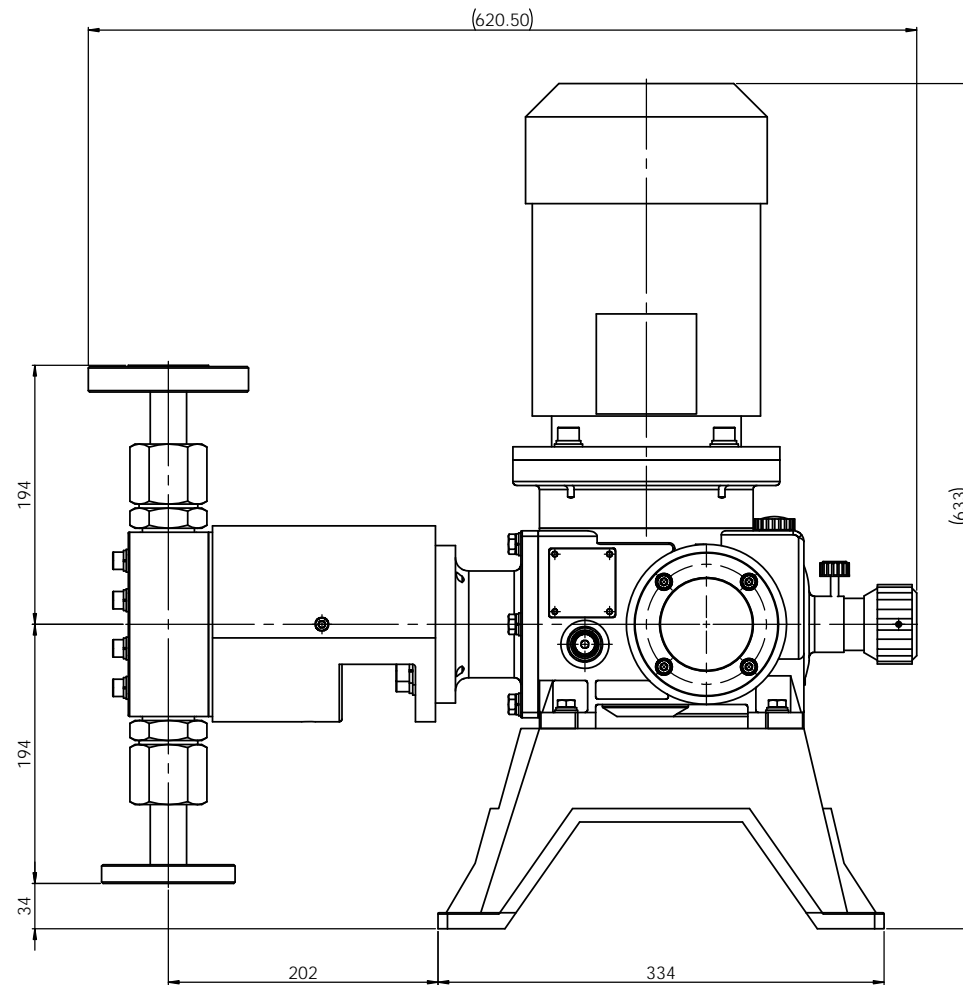
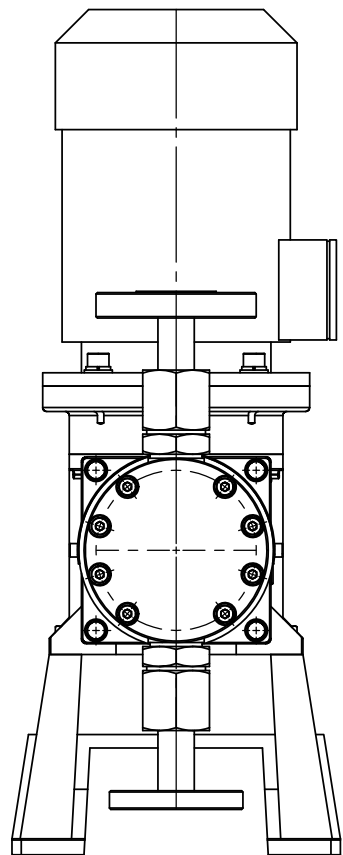
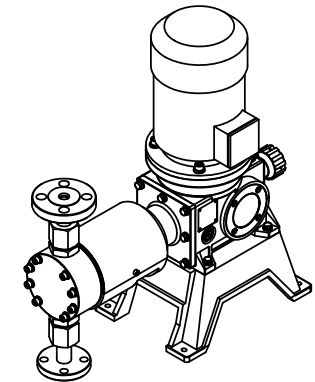
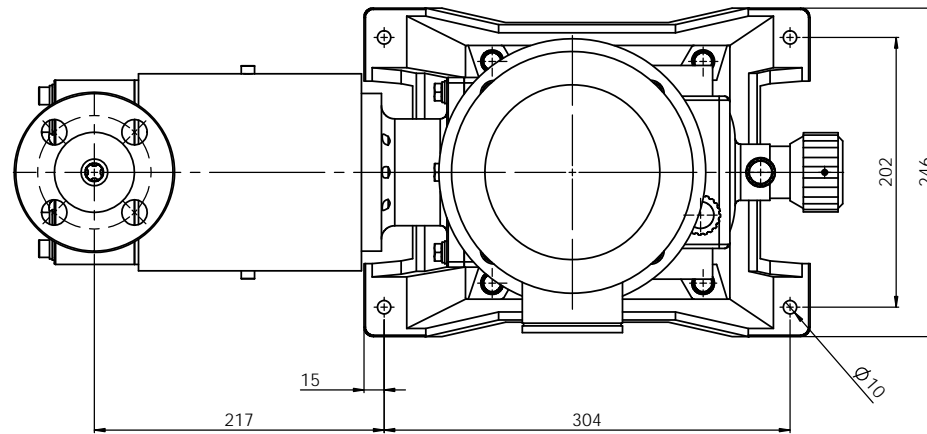


ALL DIMENSIONS SPECIFIED UNLESS OTHERWISE SPECIFIED DIMENSIONS ARE IN MILLIMETERS TOLERANCES UNLESS SPECIFIED: FINISH: ANGULAR		FINISH: BEZEL SHARP EDGES	DO NOT SCALE DRAWING	REVISION
DRAWN: W. PARK CHECKED: W. PARK APPROVED: S.C. KIM DATE: 2010.12.10 DATE: 2010.12.10 DATE: 2010.12.10		DESIGNER: W. PARK DATE: 2010.12.10	E-WHA CHEMICAL FEEDER CO., LTD.	
TITLE: PUMP ASSEMBLY-DIM JMP4000S4S4F-10K 20A/30K 20A-0.75kW		MATERIAL: SUS304	DWG NO: W1001E1012B	A1
SCALE: 1:1		SHEET: 1 OF 1	REVISION	



PUMP ASSEMBLY-DIM				E-WHA CHEMICAL FEEDER CO., LTD.	
DATE	DESIGNER	SCALE	REVISION	DO NOT SCALE DRAWING	REVISION
2010.12.10					
2010.12.10					
2010.12.10					
2010.12.10					
MATERIAL: SUS304			DWG NO: W1002E1012B		A1
SCALE: 1:1			SHEET: 1 OF 1		