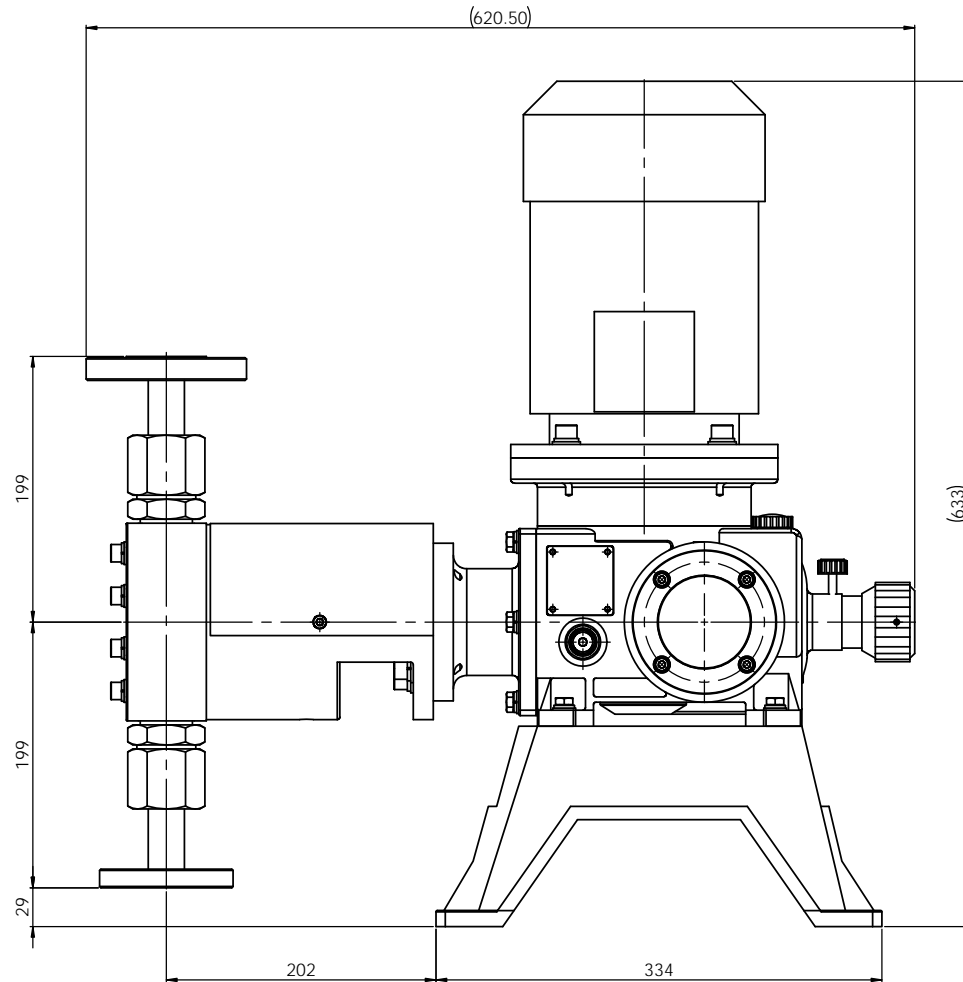
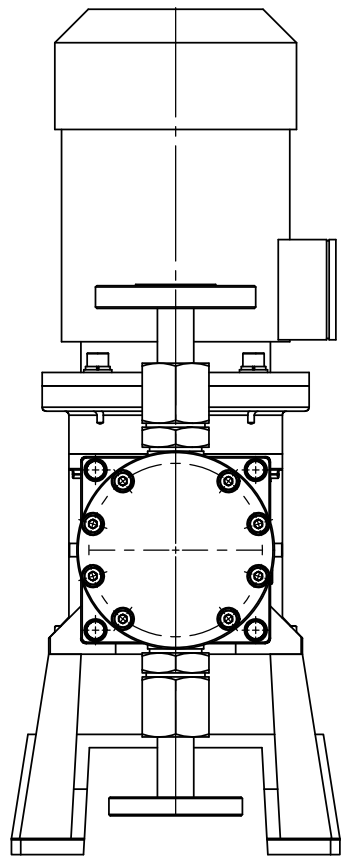
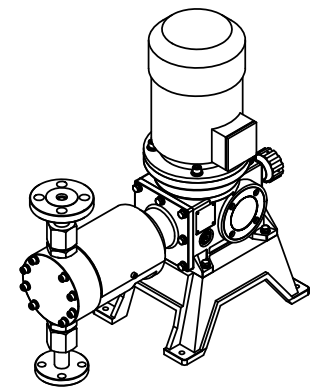
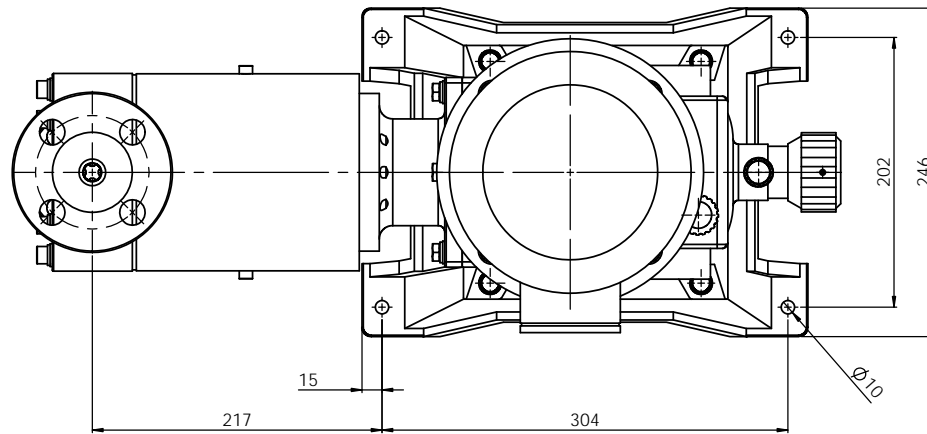


ALL DIMENSIONS SPECIFIED UNLESS OTHERWISE SPECIFIED DIMENSIONS ARE IN MILLIMETERS UNLESS INDICATED OTHERWISE				FINISH		SURFACE AND BEVEL SHARP EDGES		DO NOT SCALE DRAWING		REVISION	
TOLERANCES UNLESS OTHERWISE SPECIFIED				DIMENSIONS		FINISH		E-WHA CHEMICAL FEEDER CO., LTD.		REV.	
DRAWN	W. PARK	DESIGNED	W. PARK	DATE	2010.12.10			PUMP ASSEMBLY-DIM			
CHECKED	W. PARK	DATE	2010.12.10					JMP50005454F-10K 20A/10K 20A-0.75kW			
APPROVED	S.C. KIM	DATE	2010.12.10								
DATE											
MATERIAL								SUS304		DWG. NO. W1001E1013B	
SCALE 1:1								SHEET 1 OF 1		A1	



ALL DIMENSIONS SPECIFIED UNLESS OTHERWISE SPECIFIED DIMENSIONS ARE IN MILLIMETERS		FINISH		EDGE AND BREAK SHARP EXCEPT		DO NOT SCALE DRAWING		REVISION	
TOLERANCES UNLESS OTHERWISE SPECIFIED		DIMENSIONS		FINISH		SCALE		DATE	
LINEAR	±0.1	ANGULAR	±0.5	ROUGH	AS SUPPLIED	SCALE		DATE	
DRAWN	W. PARK	DESIGNED		DATE					
CHECKED	W. PARK	DATE							
APPROVED	S.C. KIM	DATE							
BY		DATE							
MATERIAL		SUS304		DWG. NO.		W1002E1013B		A1	
SCALE		1:1		SHEET		1 OF 1			

E-WHA CHEMICAL FEEDER CO., LTD.

PUMP ASSEMBLY-DIM  
JMP5000S454F-10K 20A/30K 20A-1.5kW