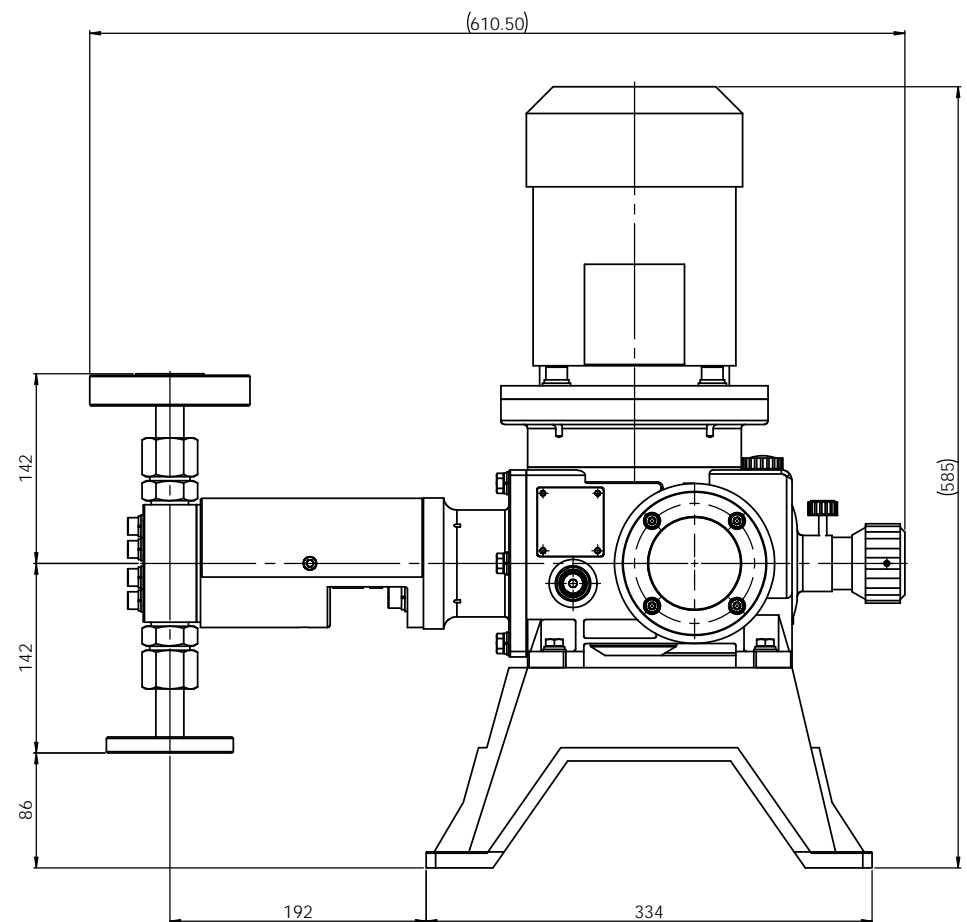
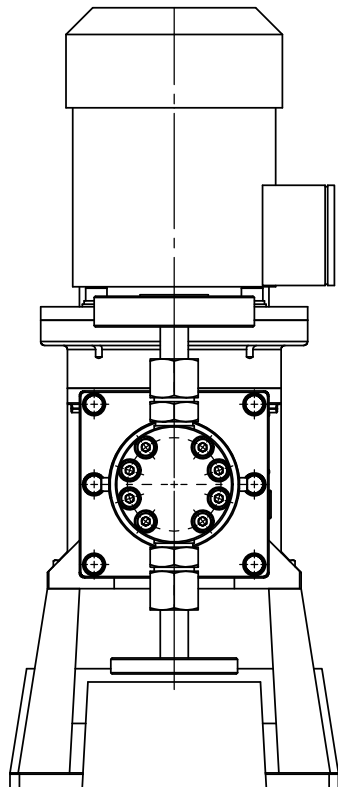
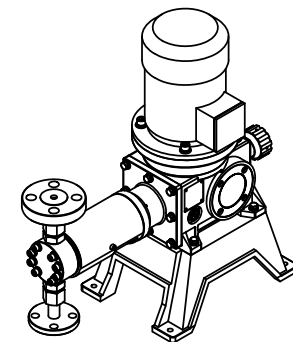
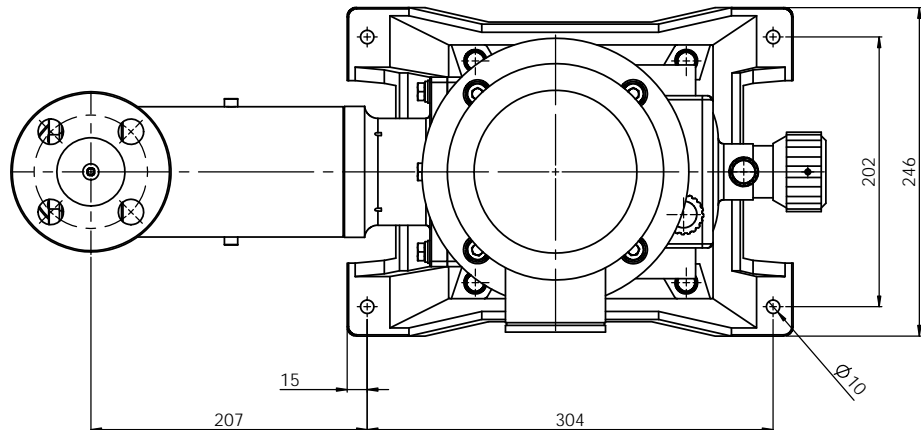
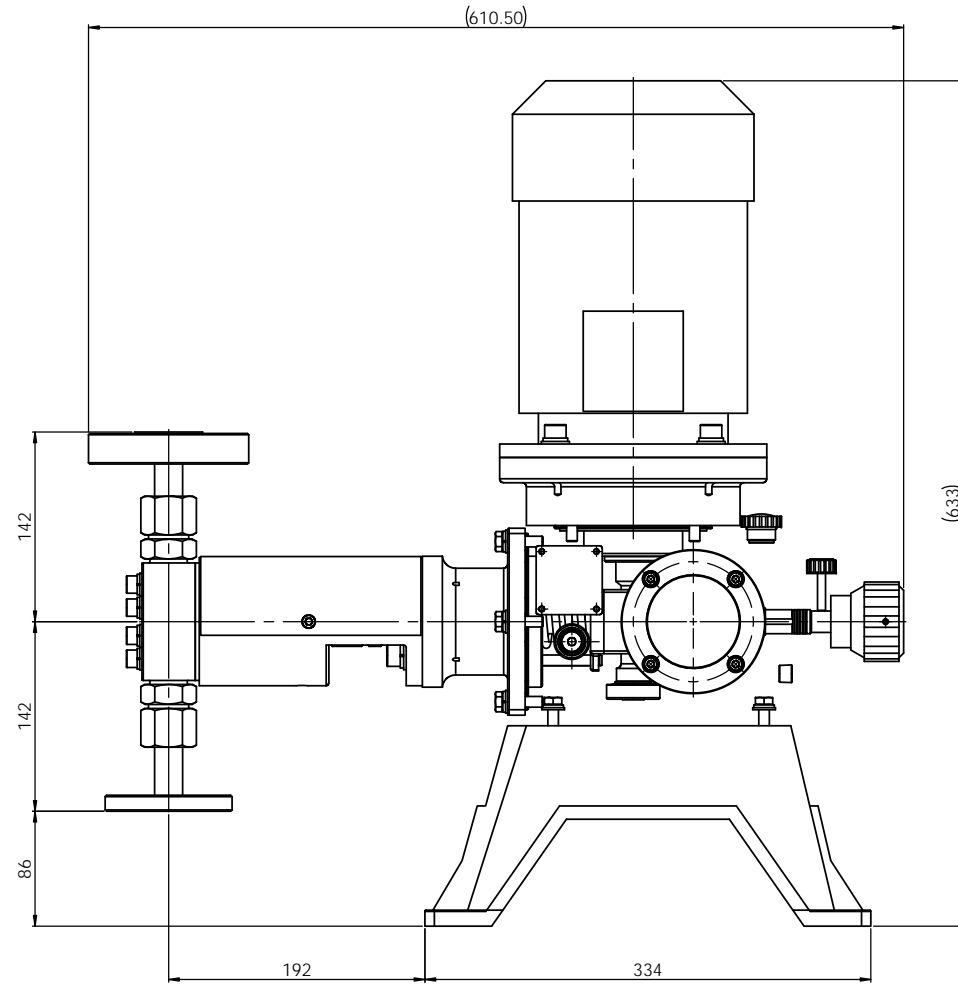
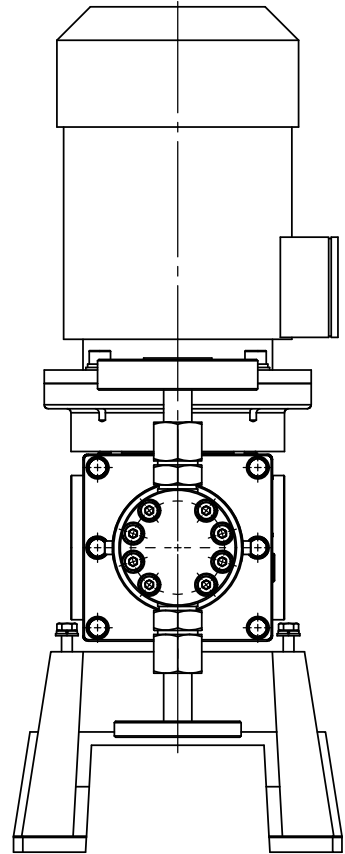
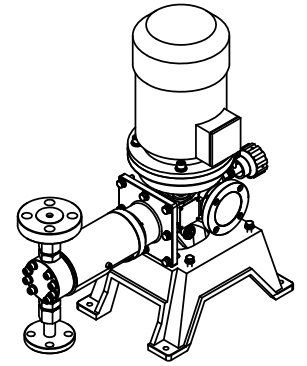
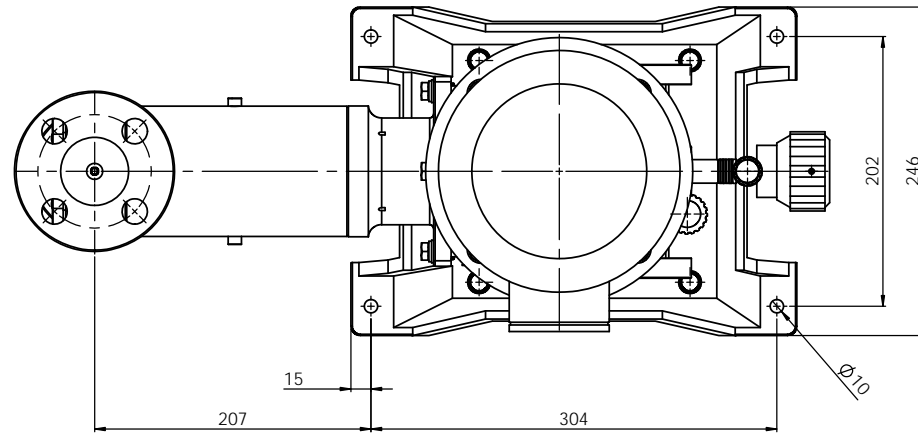


ALL DIMENSIONS SPECIFIED UNLESS OTHERWISE SPECIFIED DIMENSIONS ARE IN MILLIMETERS		FINISH		EDGE AND BREAK SHARP EXCEPT		DO NOT SCALE DRAWING		REVISION	
TOLERANCES UNLESS OTHERWISE SPECIFIED		HOLE		HOLE		E-WHA CHEMICAL FEEDER CO., LTD.			
FRACTIONS		FRACTIONS		FRACTIONS		PUMP ASSEMBLY-DIM			
DECIMALS		DECIMALS		DECIMALS		JMP70054S4F-10K 15A/63K 15A-0.4KW			
ANGLES		ANGLES		ANGLES		SUS304		W1000E1008A	
DRAFT		DRAFT		DRAFT		SCALE 1:1		SHEET 1 OF 1	
DIMENSIONS		DIMENSIONS		DIMENSIONS		MATERIAL		FINISH	
HOLE		HOLE		HOLE		SUS304		W1000E1008A	
HOLE		HOLE		HOLE		SCALE 1:1		SHEET 1 OF 1	
HOLE		HOLE		HOLE		FINISH			
HOLE		HOLE		HOLE					



ALL DIMENSIONS SPECIFIED UNLESS OTHERWISE SPECIFIED DIMENSIONS ARE IN MILLIMETERS			FINISH AND BREAK SHARP EDGES		DO NOT SCALE DRAWING		REVISION
TOLERANCES UNLESS OTHERWISE SPECIFIED							E-WHA CHEMICAL FEEDER CO., LTD.
DATE	BY	CHKD	DATE	BY	CHKD	DATE	NO.
2010.12.10		2010.12.10					PUMP ASSEMBLY-DIM
2010.12.10		2010.12.10					JMP700S4S4F-10K 15A/63K 15A-0.75kW
2010.12.10		2010.12.10					
MATERIAL			SUS304		DWG NO.		W1001E1008A
SCALE 1:1					SHEET 1 OF 1		A1



ALL DIMENSIONS SPECIFIED UNLESS OTHERWISE SPECIFIED DIMENSIONS ARE IN MILLIMETERS TOLERANCES: HORIZONTAL ANGULAR		FINISH: BRASS AND BRASS SHARP EDGE	DO NOT SCALE DRAWING REVISION
DRAWN: W. PARK CHECK: W. PARK APPROV: S.C. KIM DATE: 2010.12.10 DATE: 2010.12.10 DATE: 2010.12.10	DRAWING NO.: JMP70054S4F-10K SCALE: 1:1	PART NO.: W1002E1008A MATERIAL: SUS304	E-WHA CHEMICAL FEEDER CO., LTD. PUMP ASSEMBLY-DIM JMP70054S4F-10K 15A/63K 15A-1.5KW SHEET 1 OF 1