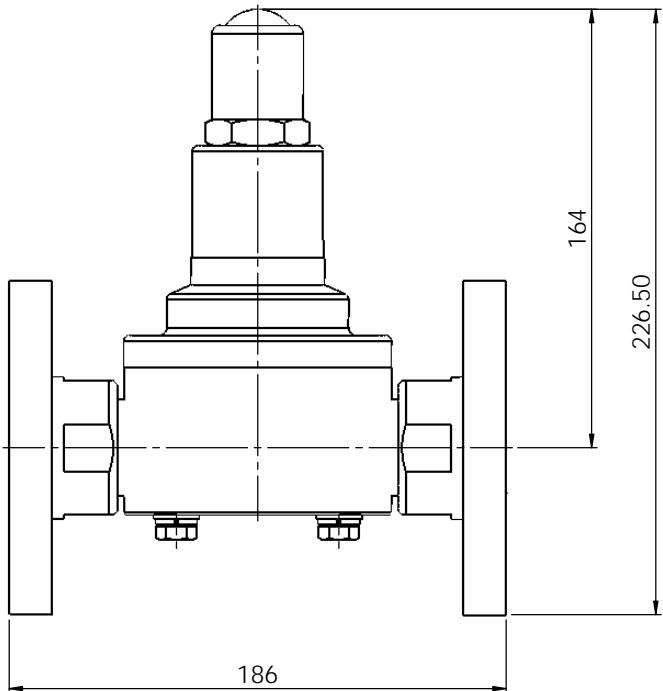
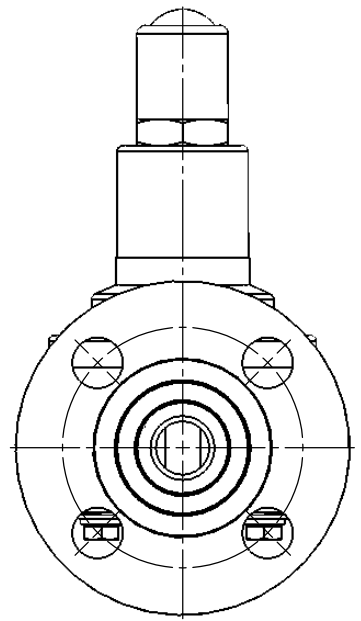
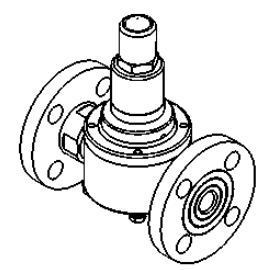
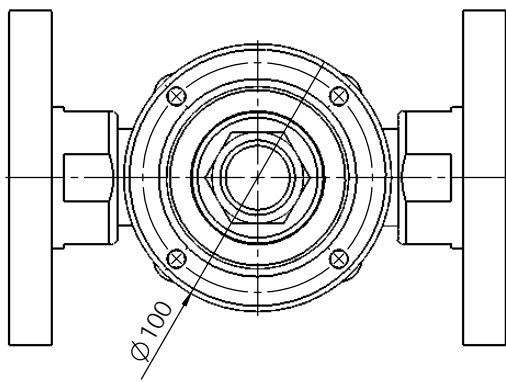


1 2 3 4 5 6 7 8

A  
B  
C  
D  
E  
F



UNLESS OTHERWISE SPECIFIED: DIMENSIONS ARE IN MILLIMETERS SURFACE FINISH: TOLERANCES: LINEAR: ANGULAR:				FINISH:		DEBUR AND BREAK SHARP EDGES		DO NOT SCALE DRAWING		REVISION			
								E-WHA CHEMICAL FEEDER CO., LTD.					
								TITLE:					
								DIMENSIONAL OUTLINE					
								EWRV-K-25A					
								MATERIAL:		DWG NO.		A3	
								PVDF		V1000E1003C			
								WEIGHT:		SCALE:1:2		SHEET 1 OF 1	

1 2 3 4