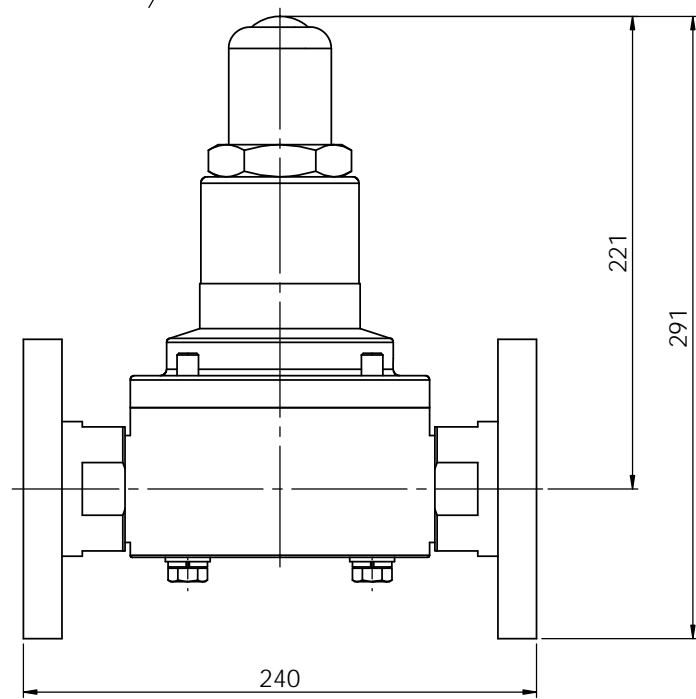
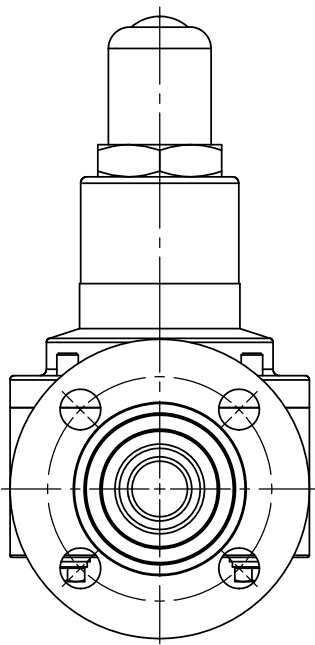
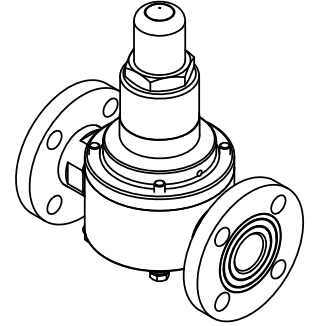
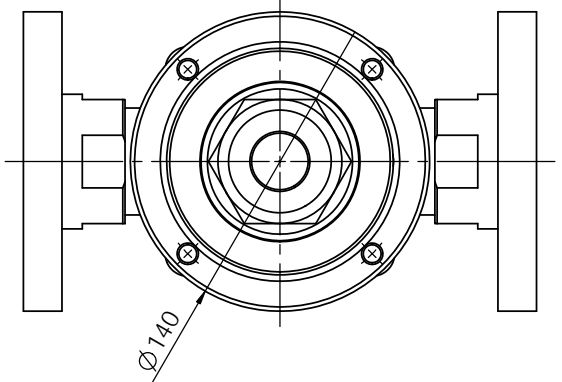


1 2 3 4 5 6 7 8

A
B
C
D
E
F



UNLESS OTHERWISE SPECIFIED: DIMENSIONS ARE IN MILLIMETERS SURFACE FINISH: TOLERANCES: LINEAR: ANGULAR:				FINISH:		DEBUR AND BREAK SHARP EDGES		DO NOT SCALE DRAWING		REVISION	
E-WHA CHEMICAL FEEDER CO., LTD.								TITLE:			
DIMENSIONAL OUTLINE								EWRV-K-40A			
DRAWN W. PARK				SIGNATURE		DATE		MATERIAL: PVDF		DWG NO. V1000E1004C	
CHK'D W. PARK										A3	
APPV'D S.C. KIM										SCALE: 1:2	
MFG										SHEET 1 OF 1	
Q.A											

1 2 3 4