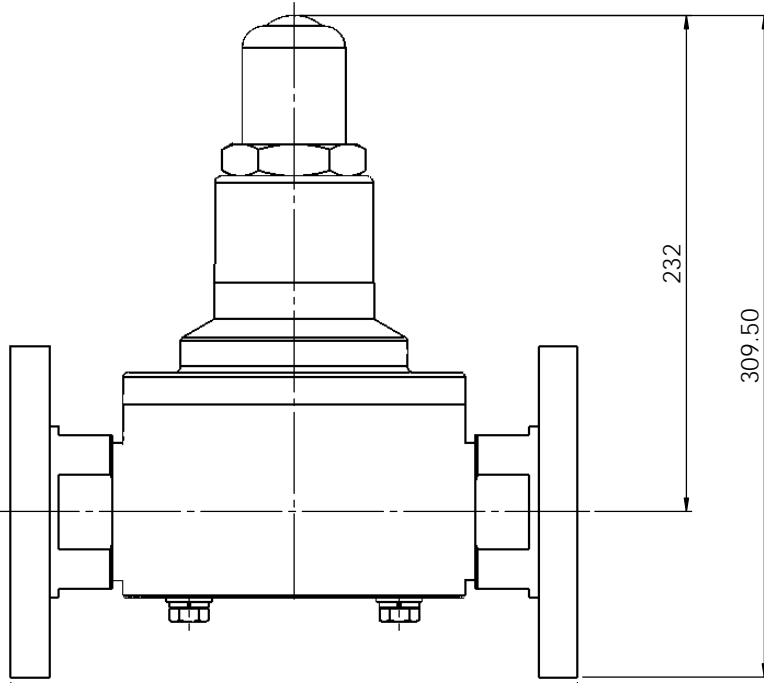
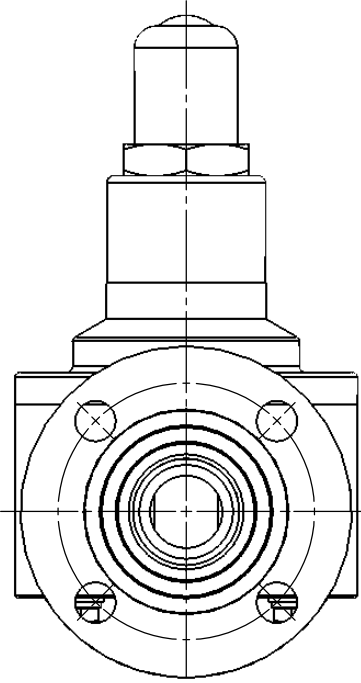
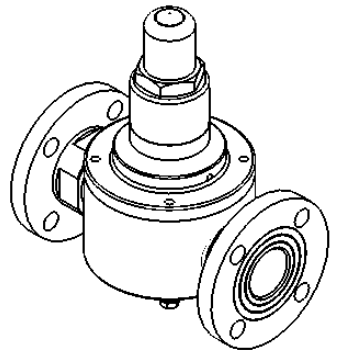


Ø 160



232

309.50

265

UNLESS OTHERWISE SPECIFIED: DIMENSIONS ARE IN MILLIMETERS SURFACE FINISH: TOLERANCES: LINEAR: ANGULAR:				FINISH:		DEBUR AND BREAK SHARP EDGES		DO NOT SCALE DRAWING		REVISION		
E-WHA CHEMICAL FEEDER CO., LTD.								TITLE:				
DIMENSIONAL OUTLINE								EWRV-K-50A				
PVDF								DWG NO.		V1000E1005C		A3
SCALE: 1:2								SHEET 1 OF 1				