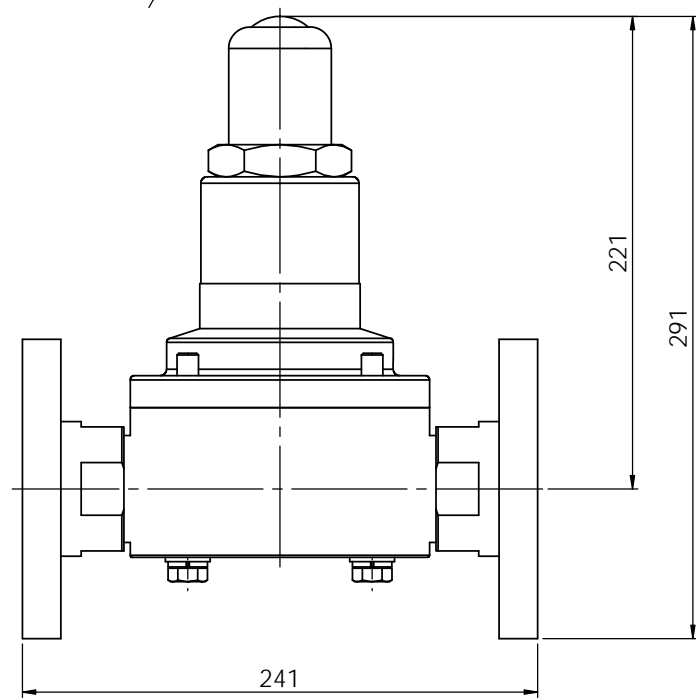
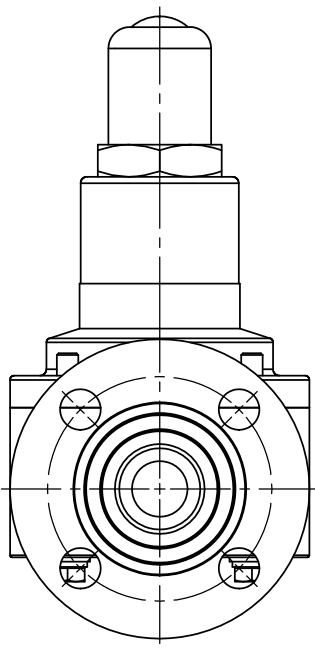
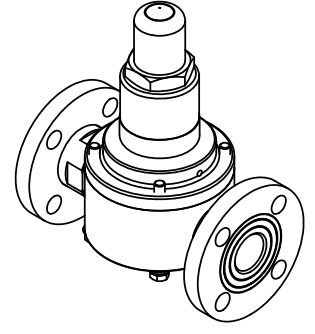
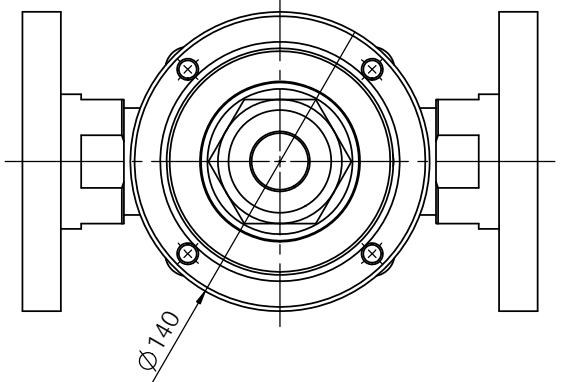


1 2 3 4 5 6 7 8

A
B
C
D
E
F



UNLESS OTHERWISE SPECIFIED: DIMENSIONS ARE IN MILLIMETERS SURFACE FINISH: TOLERANCES: LINEAR: ANGULAR:				FINISH:		DEBUR AND BREAK SHARP EDGES		DO NOT SCALE DRAWING		REVISION	
								E-WHA CHEMICAL FEEDER CO., LTD.			
								TITLE: DIMENSIONAL OUTLINE EWRV-P-40A			
DRAWN	W. PARK	SIGNATURE	DATE					DWG NO.		V1000E1004A	
CHK'D	W. PARK							MATERIAL:		A3	
APP'VD	S.C. KIM							PVC			
MFG											
Q.A											
								WEIGHT:		SCALE: 1:2	
										SHEET 1 OF 1	

1 2 3 4