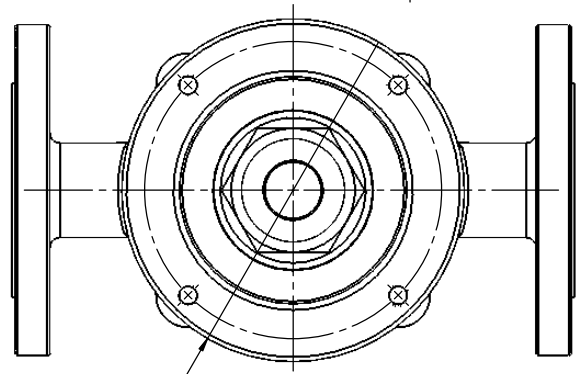
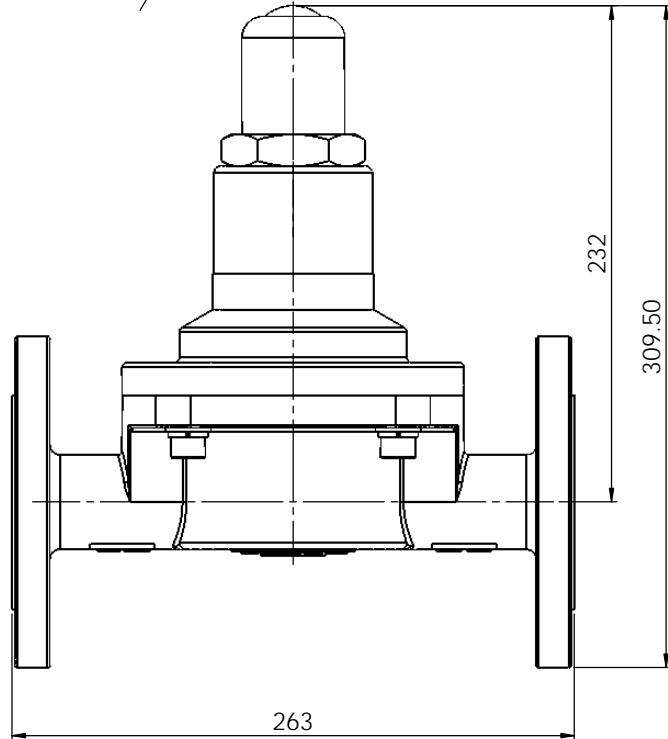
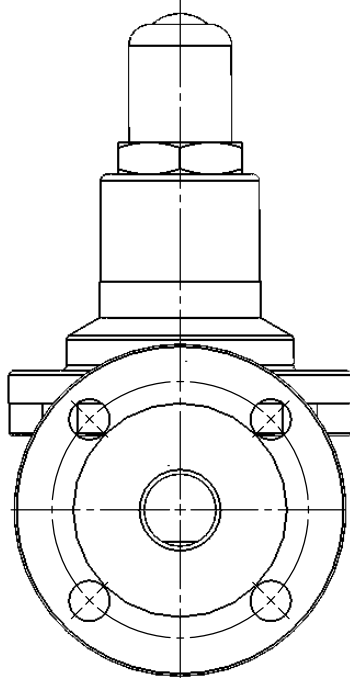
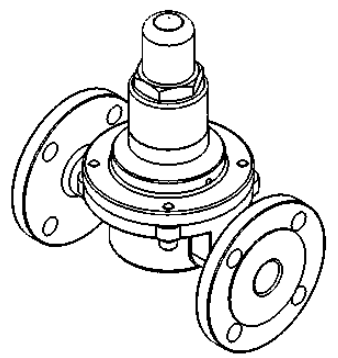


1 2 3 4 5 6 7 8

A
B
C
D
E
F



Ø160



232

309.50

263

UNLESS OTHERWISE SPECIFIED: DIMENSIONS ARE IN MILLIMETERS SURFACE FINISH: TOLERANCES: LINEAR: ANGULAR:				FINISH:		DEBUR AND BREAK SHARP EDGES		DO NOT SCALE DRAWING		REVISION	
								E-WHA CHEMICAL FEEDER CO., LTD.			
								TITLE: DIMENSIONAL OUTLINE EWRV-S6-50A			
DRAWN W. PARK				SIGNATURE		DATE		DWG NO. V1200E1005F		A3	
CHK'D W. PARK											
APP'VD S.C. KIM											
MFG											
Q.A								MATERIAL: SUS316		SCALE:1:2	
								WEIGHT:		SHEET 1 OF 1	

1 2 3 4