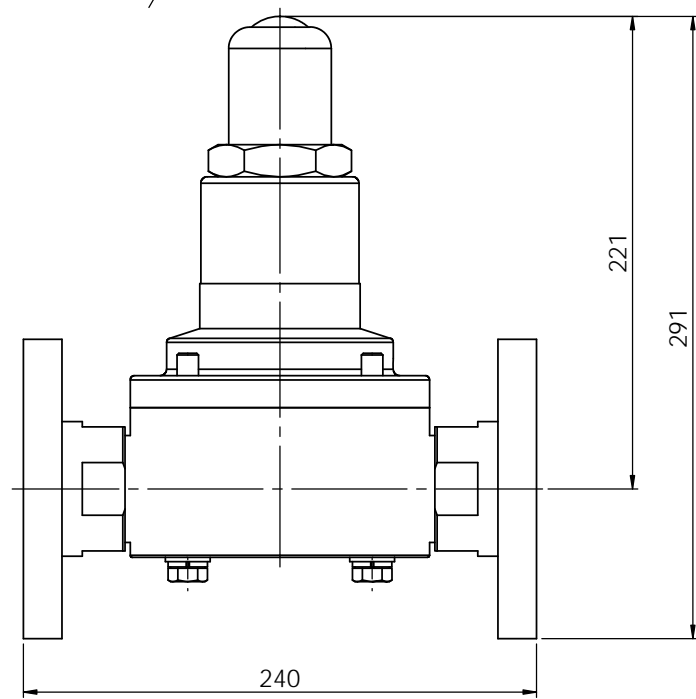
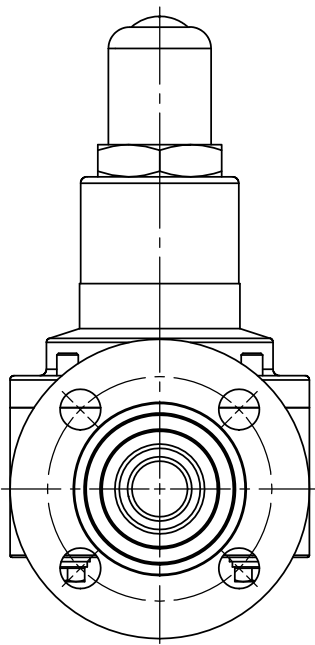
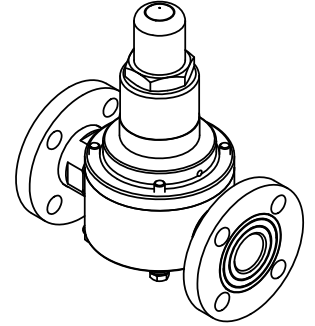
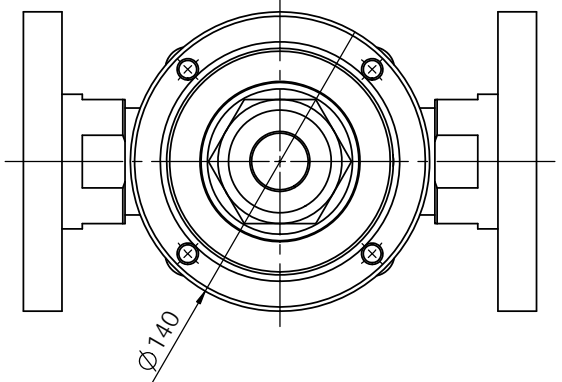


1 2 3 4 5 6 7 8

A  
B  
C  
D  
E  
F



UNLESS OTHERWISE SPECIFIED: DIMENSIONS ARE IN MILLIMETERS SURFACE FINISH: TOLERANCES: LINEAR: ANGULAR:				FINISH:		DEBUR AND BREAK SHARP EDGES		DO NOT SCALE DRAWING		REVISION		
E-WHA CHEMICAL FEEDER CO., LTD.								TITLE:				
DIMENSIONAL OUTLINE								EWRV-T-40A				
PTFE								DWG NO.		V1000E1004B		A3
WEIGHT:								SCALE:1:2		SHEET 1 OF 1		

1 2 3 4