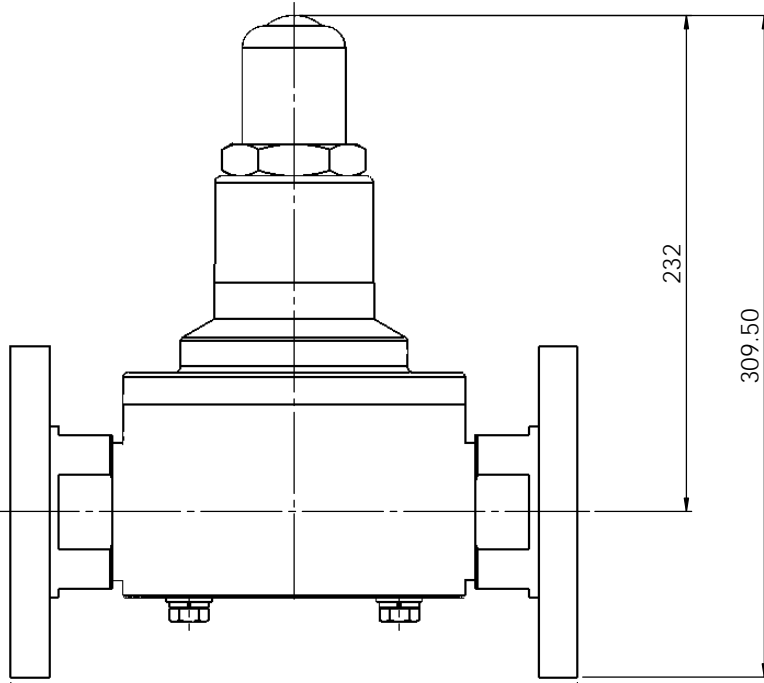
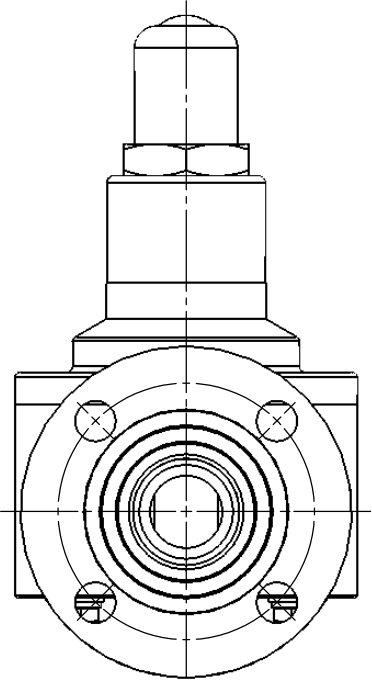
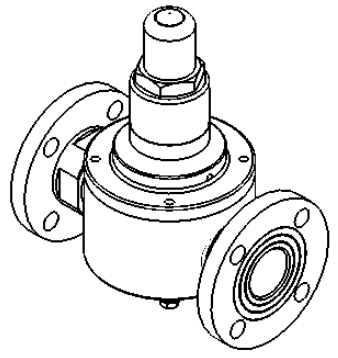


Ø 160



232

309.50

265

UNLESS OTHERWISE SPECIFIED: DIMENSIONS ARE IN MILLIMETERS SURFACE FINISH: TOLERANCES: LINEAR: ANGULAR:				FINISH:		DEBUR AND BREAK SHARP EDGES		DO NOT SCALE DRAWING		REVISION			
E-WHA CHEMICAL FEEDER CO., LTD.								TITLE:					
DIMENSIONAL OUTLINE								EWRV-T-50A					
PTFE								DWG NO.		V1000E1005B		A3	
SCALE:1:2								SHEET 1 OF 1					

