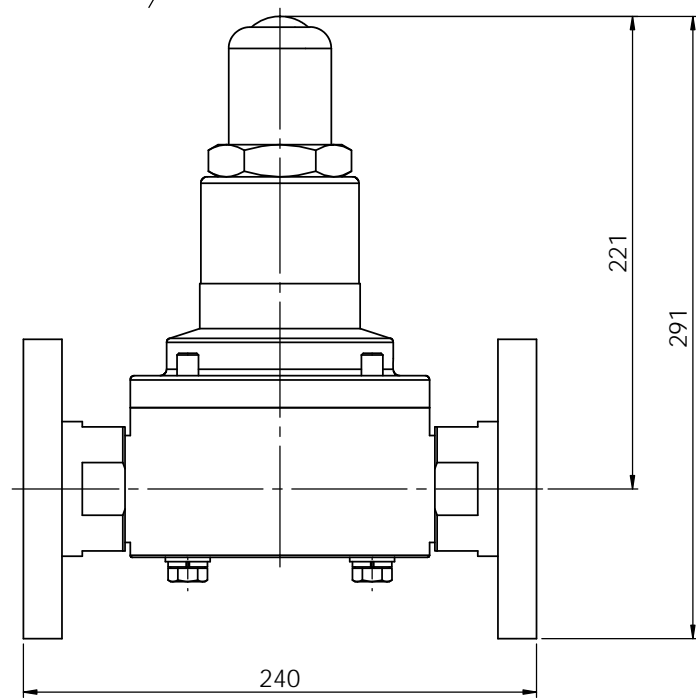
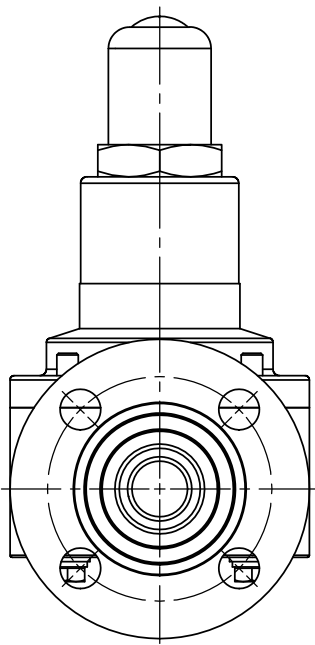
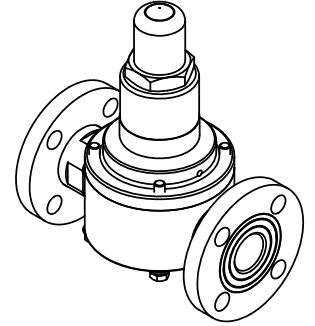
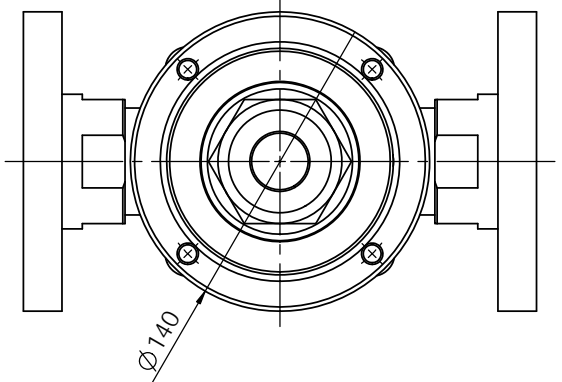


1 2 3 4 5 6 7 8

A
B
C
D
E
F



UNLESS OTHERWISE SPECIFIED: DIMENSIONS ARE IN MILLIMETERS SURFACE FINISH: TOLERANCES: LINEAR: ANGULAR:				FINISH:		DEBUR AND BREAK SHARP EDGES		DO NOT SCALE DRAWING		REVISION			
DRAWN W. PARK								TITLE: DIMENSIONAL OUTLINE EWBV-K-40A					
CHK'D W. PARK													
APPV'D S.C. KIM													
MFG								MATERIAL: PVDF		DWG NO. U1000E1004C		A3	
Q.A													
								WEIGHT:		SCALE:1:2		SHEET 1 OF 1	

1 2 3 4