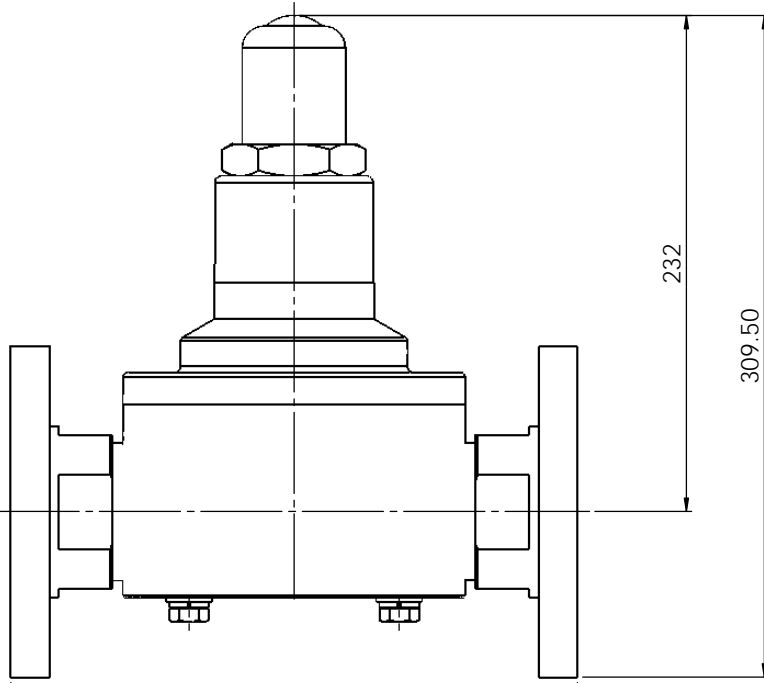
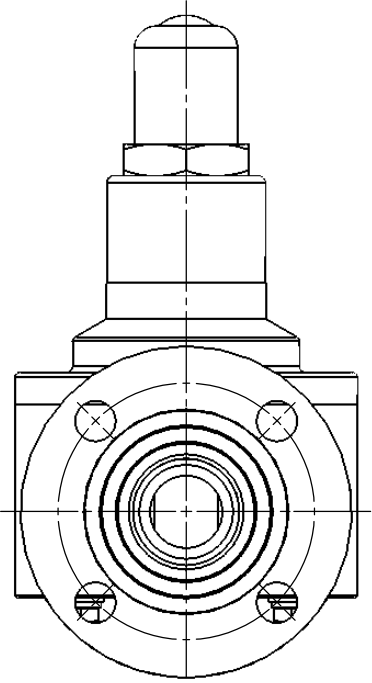
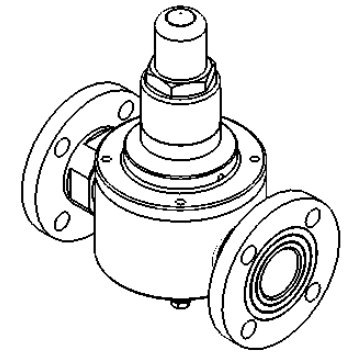


Ø 160



232

309.50

265

UNLESS OTHERWISE SPECIFIED: DIMENSIONS ARE IN MILLIMETERS SURFACE FINISH: TOLERANCES: LINEAR: ANGULAR:				FINISH:		DEBUR AND BREAK SHARP EDGES		DO NOT SCALE DRAWING		REVISION	
E-WHA CHEMICAL FEEDER CO., LTD.								TITLE:			
DIMENSIONAL OUTLINE								E-WHA CHEMICAL FEEDER CO., LTD.			
EWBV-K-50A								DWG NO.			
U1000E1005C								A3			
MATERIAL:								PVDF			
WEIGHT:								SCALE:1:2			
SHEET 1 OF 1											

