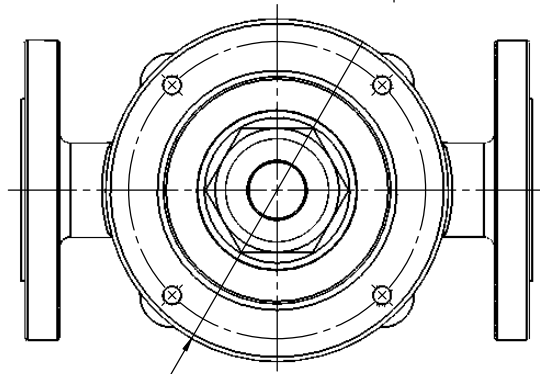
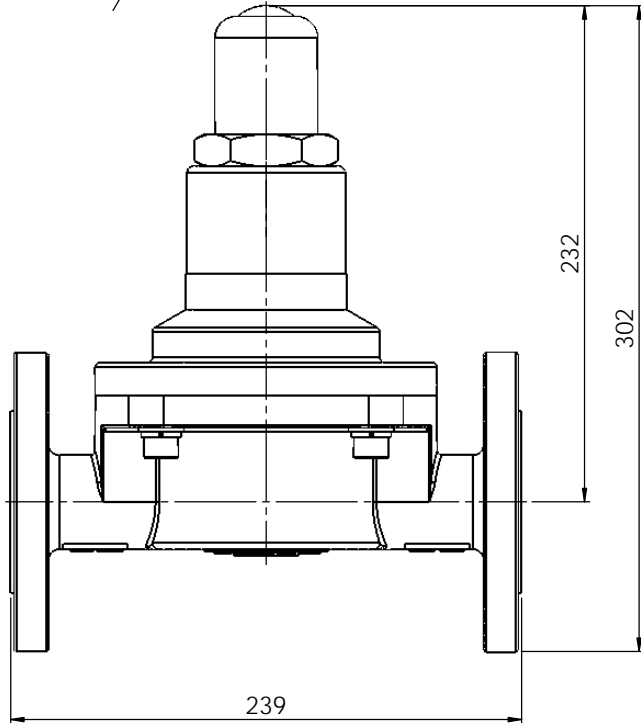
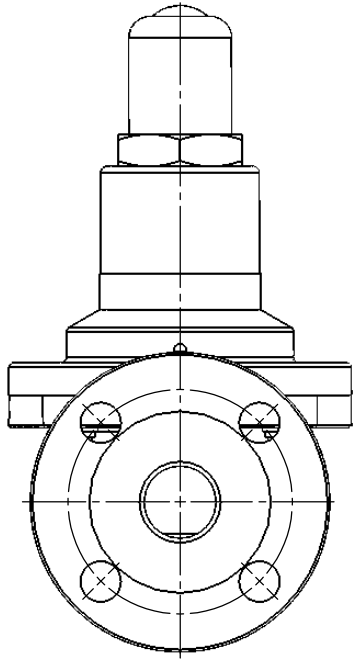
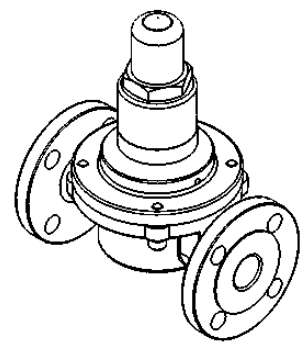


1 2 3 4 5 6 7 8

A
B
C
D
E
F



Ø160



UNLESS OTHERWISE SPECIFIED: DIMENSIONS ARE IN MILLIMETERS SURFACE FINISH: TOLERANCES: LINEAR: ANGULAR:				FINISH:		DEBUR AND BREAK SHARP EDGES		DO NOT SCALE DRAWING		REVISION	
								E-WHA CHEMICAL FEEDER CO., LTD.			
								TITLE: DIMENSIONAL OUTLINE EWBV-S4-40A			
DRAWN W. PARK				SIGNATURE		DATE		MATERIAL: SUS304		DWG NO. U1200E1004E	
CHK'D W. PARK										A3	
APP'VD S.C. KIM											
MFG											
Q.A											
								SCALE:1:2		SHEET 1 OF 1	

1 2 3 4