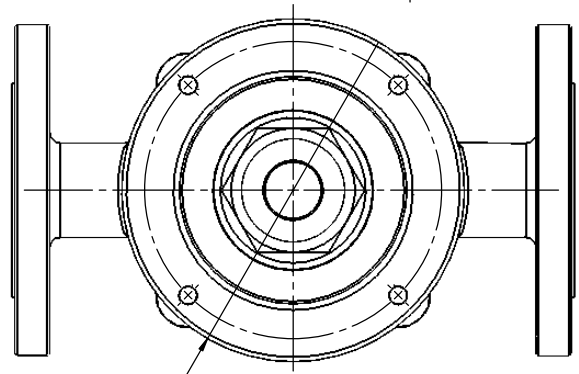
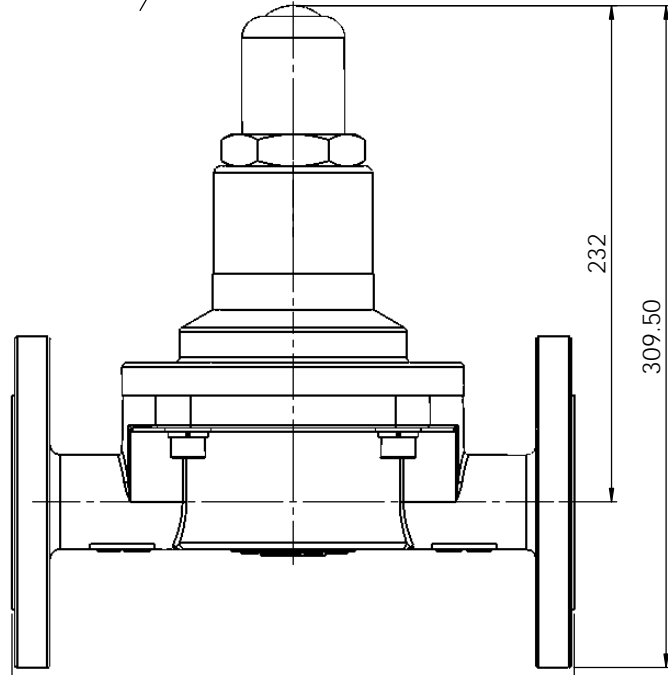
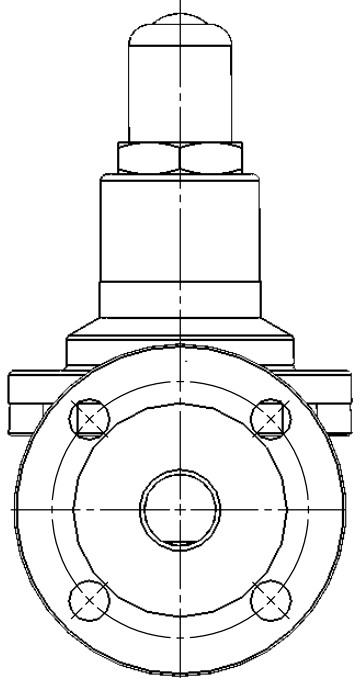
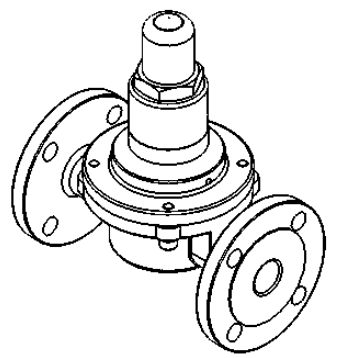


1 2 3 4 5 6 7 8

A
B
C
D
E
F



Ø160



232

309.50

263

| | | | | | | | | | | | |
|---|--|--|--|---------|--|-----------------------------------|--|----------------------|--|----------|--|
| UNLESS OTHERWISE SPECIFIED: DIMENSIONS ARE IN MILLIMETERS SURFACE FINISH: TOLERANCES: LINEAR: ANGULAR: | | | | FINISH: | | DEBUR AND BREAK SHARP EDGES | | DO NOT SCALE DRAWING | | REVISION | |
| E-WHA CHEMICAL FEEDER CO., LTD. | | | | | | | | TITLE: | | | |
| DIMENSIONAL OUTLINE | | | | | | | | EWBV-S4-50A | | | |
| DWG NO. U1200E1005E | | | | | | | | MATERIAL: SUS304 | | A3 | |
| SCALE: 1:2 | | | | | | | | SHEET 1 OF 1 | | | |

1 2 3 4