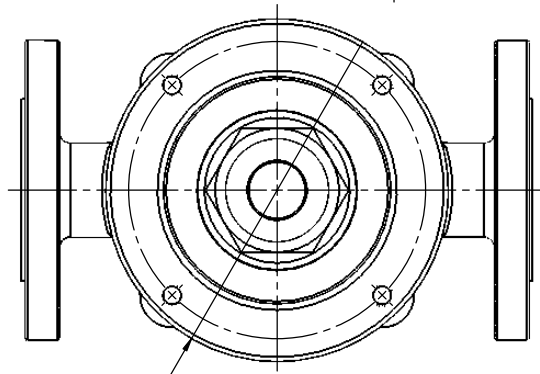
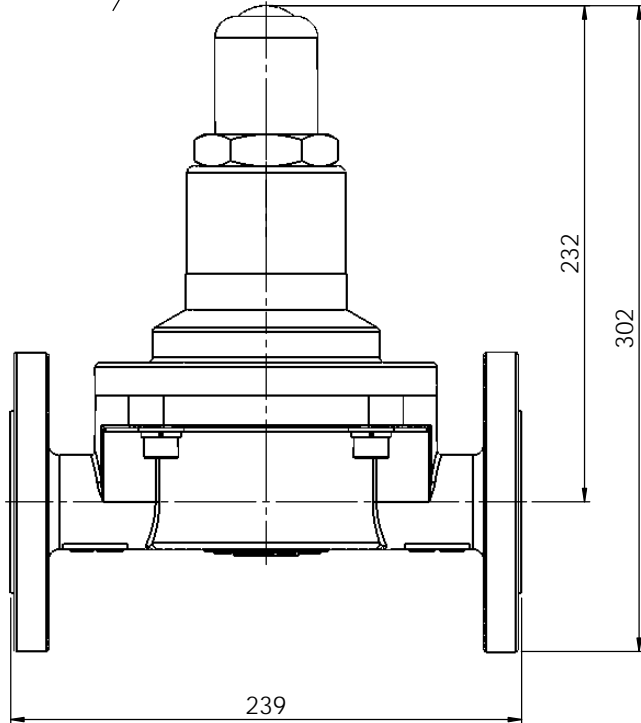
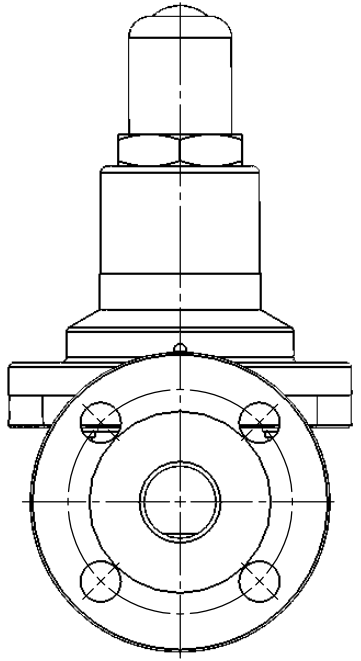
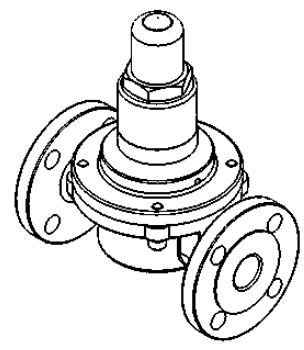


1 2 3 4 5 6 7 8

A
B
C
D
E
F



Ø160



232

302

239

UNLESS OTHERWISE SPECIFIED: DIMENSIONS ARE IN MILLIMETERS SURFACE FINISH: TOLERANCES: LINEAR: ANGULAR:				FINISH:		DEBUR AND BREAK SHARP EDGES		DO NOT SCALE DRAWING		REVISION	
								E-WHA CHEMICAL FEEDER CO., LTD.			
								TITLE: DIMENSIONAL OUTLINE EWBV-S6-40A			
DRAWN W. PARK		SIGNATURE		DATE				MATERIAL: SUS316		DWG NO. U1200E1004F	
CHK'D W. PARK										A3	
APPV'D S.C. KIM											
MFG											
Q.A											
								WEIGHT:		SCALE:1:2	
										SHEET 1 OF 1	

1 2 3 4