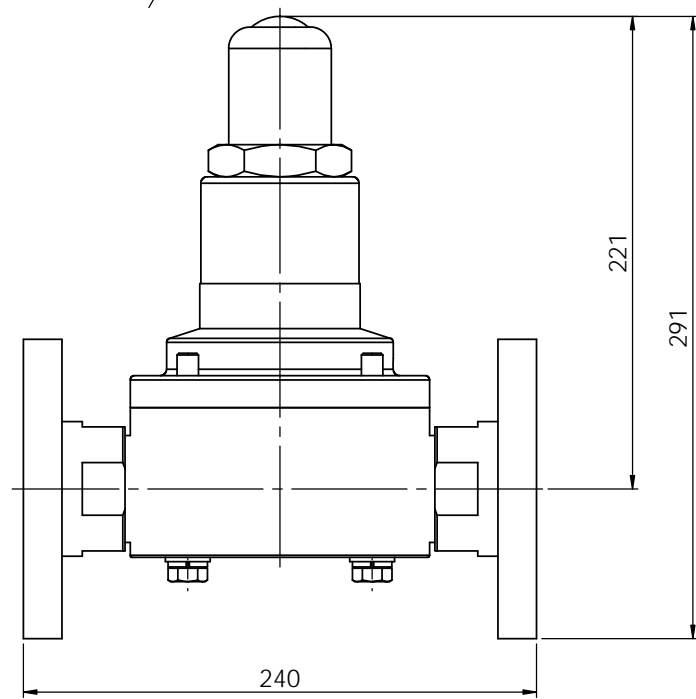
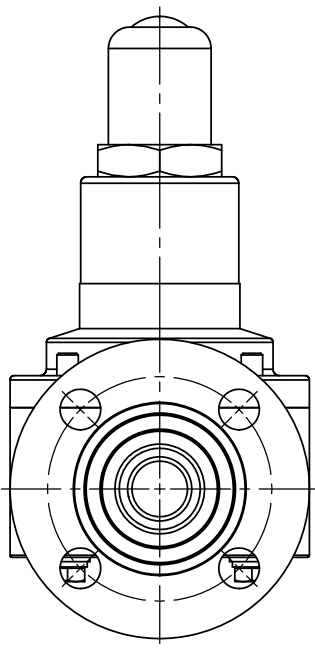
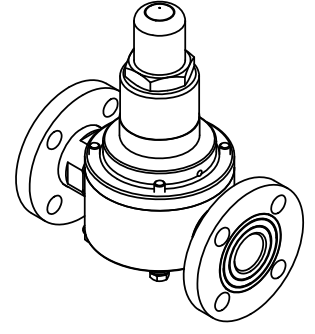
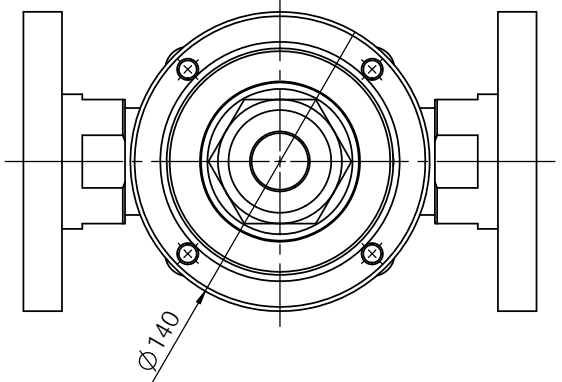


1 2 3 4 5 6 7 8

A
B
C
D
E
F



UNLESS OTHERWISE SPECIFIED: DIMENSIONS ARE IN MILLIMETERS SURFACE FINISH: TOLERANCES: LINEAR: ANGULAR:				FINISH:		DEBUR AND BREAK SHARP EDGES		DO NOT SCALE DRAWING		REVISION	
E-WHA CHEMICAL FEEDER CO., LTD.								TITLE:			
DIMENSIONAL OUTLINE								EWBV-T-40A			
DRAWN W. PARK				SIGNATURE		DATE		DWG NO.		A3	
CHK'D W. PARK								MATERIAL:		SCALE:1:2	
APPV'D S.C. KIM								PTFE		SHEET 1 OF 1	
MFG								WEIGHT:			
Q.A											