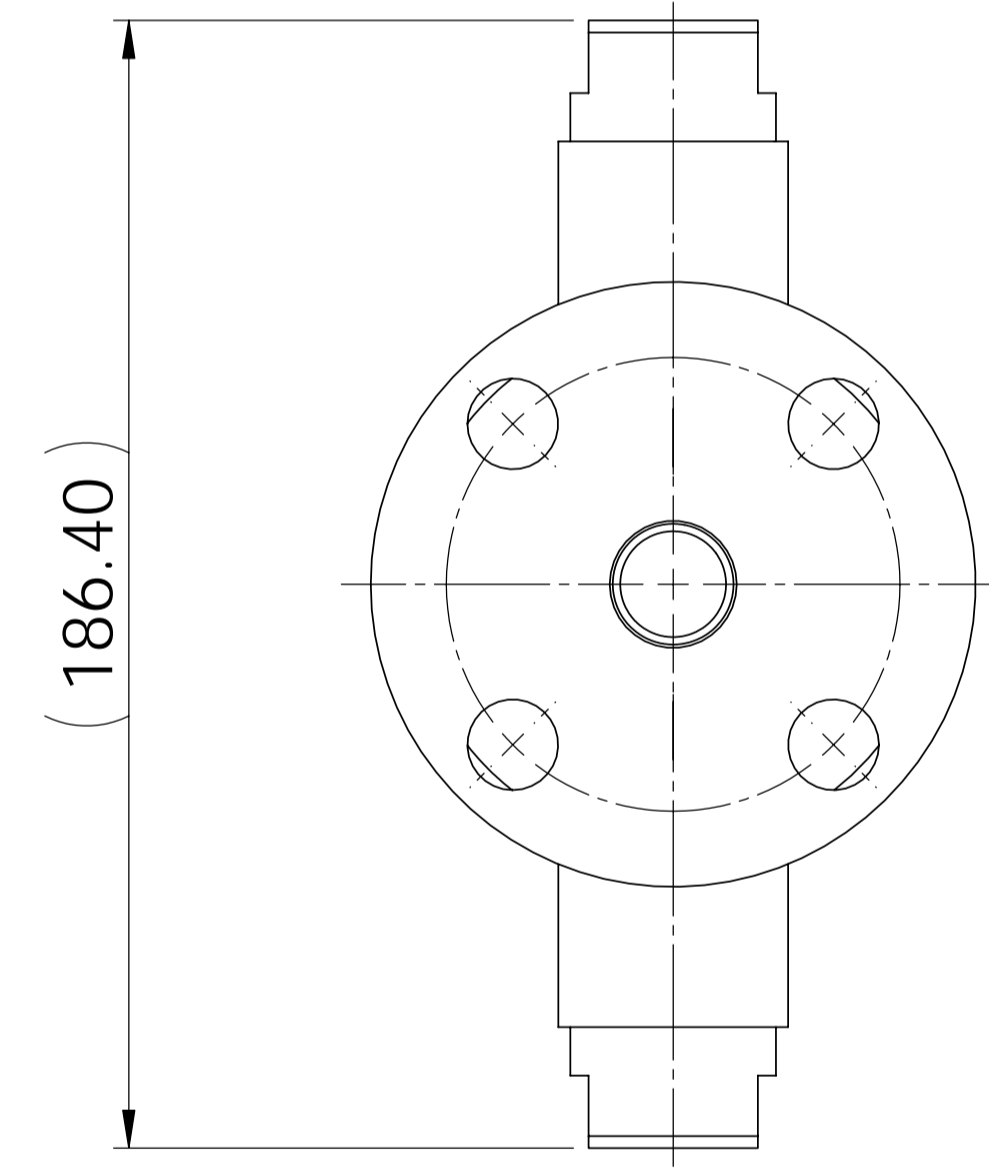


KS 10K 20A



|   |  |  |  |           |  |                                   |  |
|---|--|--|--|-----------|--|-----------------------------------|--|
| UNLESS OTHERWISE SPECIFIED:<br>DIMENSIONS ARE IN MILLIMETERS<br>SURFACE FINISH:<br>TOLERANCES:<br>LINEAR:<br>ANGULAR: |  |  |  | FINISH:   |  | DEBUR AND<br>BREAK SHARP<br>EDGES |  |
| DRAWN W. PARK   |  |  |  | SIGNATURE |  | DATE                              |  |
| CHK'D W. PARK   |  |  |  |           |  |                                   |  |
| APPV'D S.C. KIM   |  |  |  |           |  |                                   |  |
| MFG   |  |  |  |           |  |                                   |  |
| Q.A   |  |  |  |           |  | MATERIAL:<br><b>PVC</b>           |  |
|   |  |  |  |           |  | WEIGHT:                           |  |

|                                 |  |  |  |
|---------------------------------|--|--|--|
| DO NOT SCALE DRAWING            |  | REVISION   |  |
| E-WHA CHEMICAL FEEDER CO., LTD. |  |  |  |
| TITLE:                          |  | <b>AIR CHAMBER<br/>EAC1000-P20A<br/>for GM3000</b> |  |
| DWG NO.                         |  | A3   |  |
| SCALE:1:2.5                     |  | SHEET 1 OF 1                                       |  |